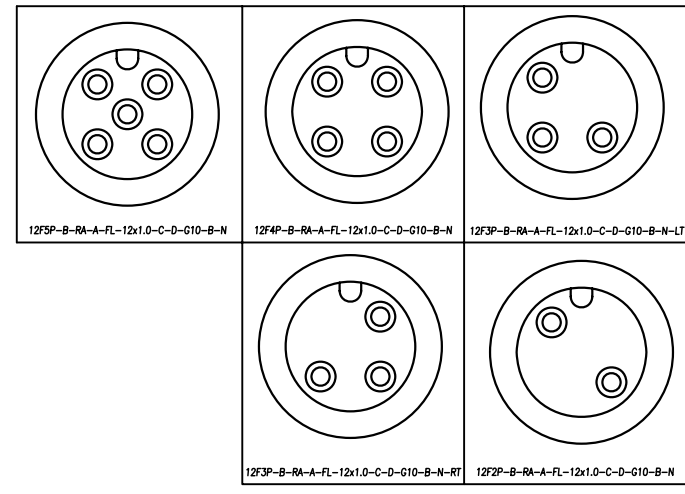
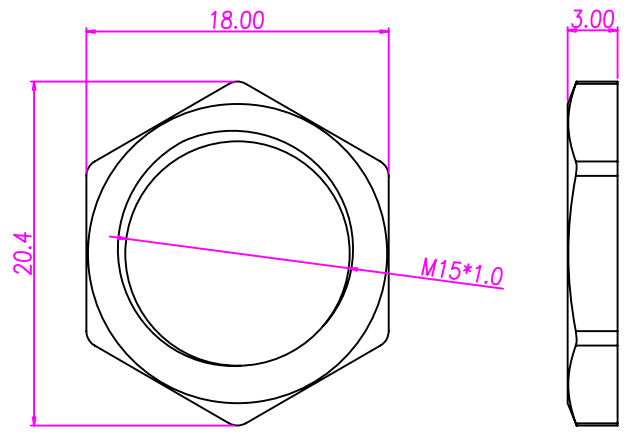
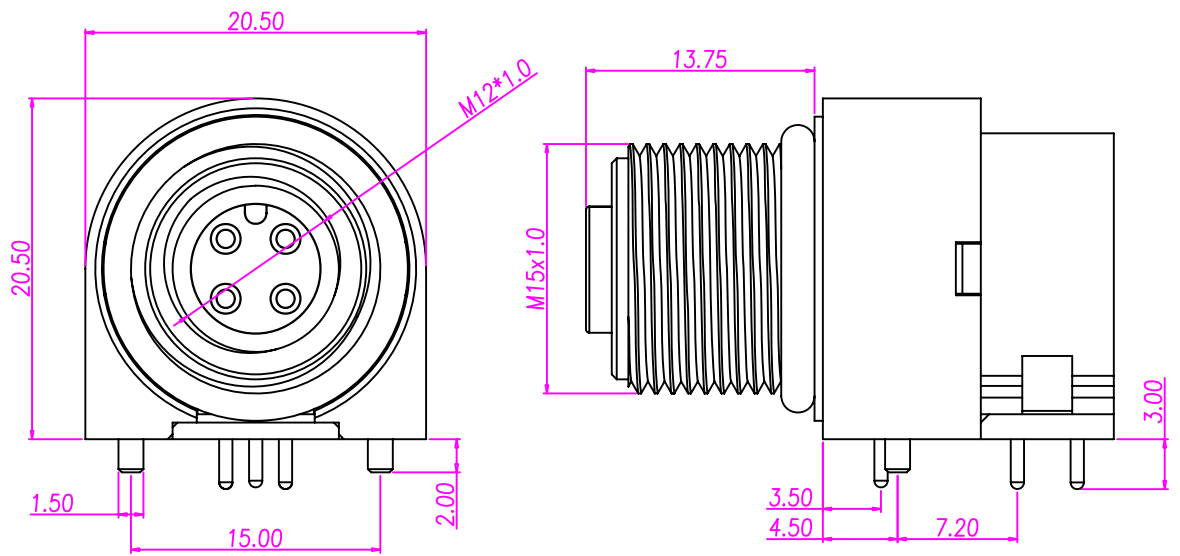


Rev	Revisions	Rev.Drawn	Date
A		Du	22/12/08*



NUT



NOTE:

1. MATERIAL :
 - 1-1. HOUSING : PBT UL94V-0 ; COLOR : BLACK
 - 1-2. CONTACT : BRASS
 - 1-3. NUT : BRASS
 - 1-4. SHELL : BRASS
 - 1-5. O-RING : EPDM ; COLOR : BLACK
 - 1-6. BACK HOUSING : PBT UL94V-0 ; COLOR : BLACK
 - 1-7. DOWN HOUSING : PBT UL94V-0 ; COLOR : BLACK
2. FINISH :
 - 2-1. CONTACT : GOLD 10u" ON OVER ALL UNDER PLATE : NICKEL
 - 2-2. NUT : NICKEL PLATED
 - 2-3. SHELL : NICKEL PLATED
3. ELECTRICAL SPECIFICATION :
 - 3-1. Rated current : 5A
 - 3-2. Rated Voltage : 125V
 - 3-3. Water proof: IPX7
4. Environmental :
 - 4-1. Operation Temperature : -40*~+85*

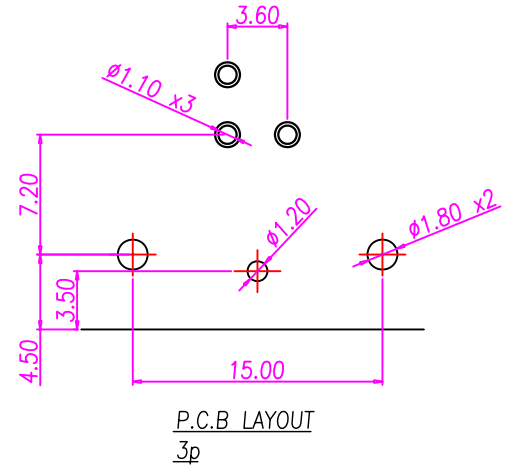
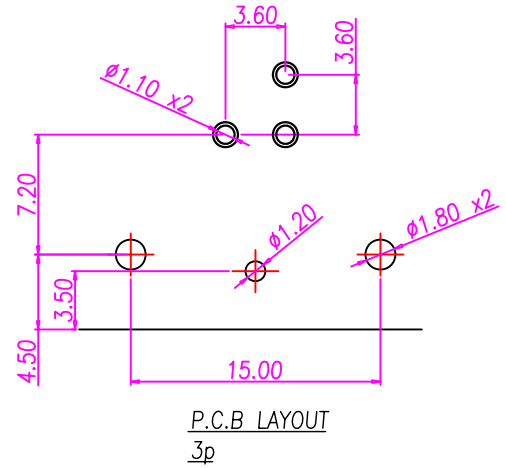
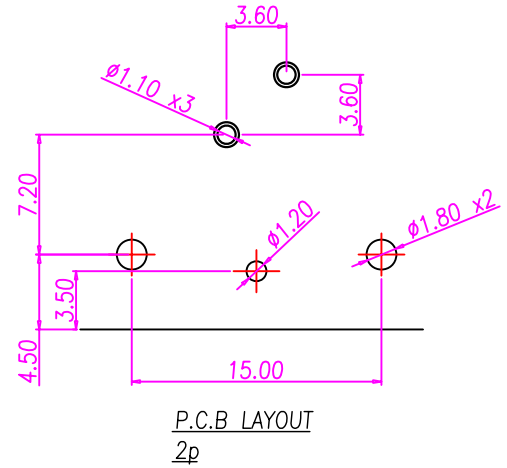
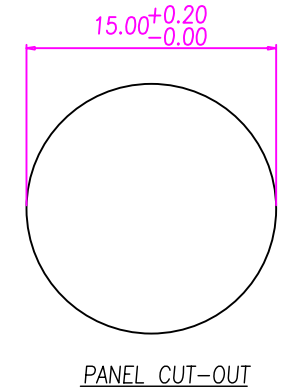
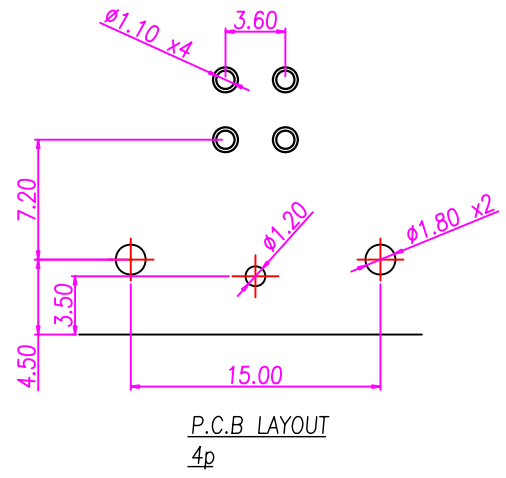
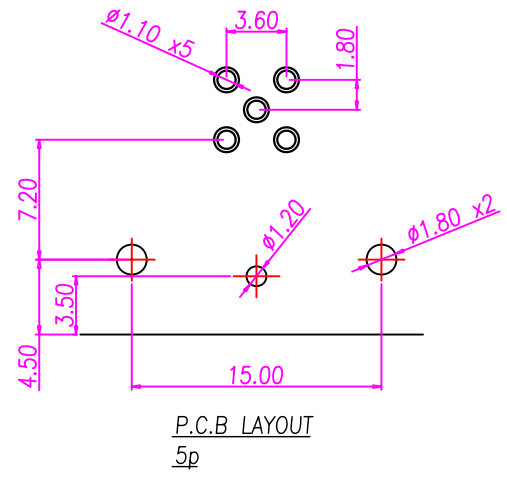
SST SOUTH SEA TERMINAL CO.,LTD

SGS Report No.: Customer: Part No.: 12F4P-B-RA-A-FL-12x1.0-C-D-G10-B-N

Title: M12 FEMALE 90° DIP TYPE FRONT LOCK for BOARD

Drawn By: Storm.Li	SCALE 1:1	SHEET 1/1	REV. A	DWG NO.: /	TOLERANCE: .x ±0.20 .xxx ±0.10 .xxxx ±0.05 .xxxxx ±0.03 ANGULA ±1°
Checked By: du	Thire angle Projection General Dimesion Tolerance			Units mm	
Approved By: Tony					

Rev	Revisions	Rev.Drawn	Date
A		Du	22/12/08*



SST SOUTH SEA TERMINAL CO.,LTD

SGS Report No.:	Customer:	Part No.:
		12F4P-B-RA-A-FL-12x1.0-C-D-G10-B-N
Title:M12 FEMALE 90° DIP TYPE FRONT LOCK for BOARD		
Drawn By: Storm.Li	SCALE	SHEET
Checked By: du	1:1	1/1
Approved By: Tony	REV.	DWG NO.:
	A	/
Thire angle Projection		Units
General Dimension Tolerance		
		mm
		TOLERANCE:
		.x ±0.20
		.xx ±0.10
		.xxx ±0.05
		.xxxx ±0.03
		ANGULA ±1°