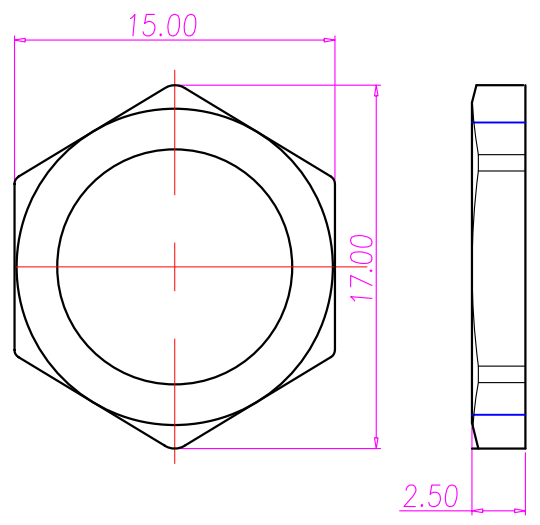
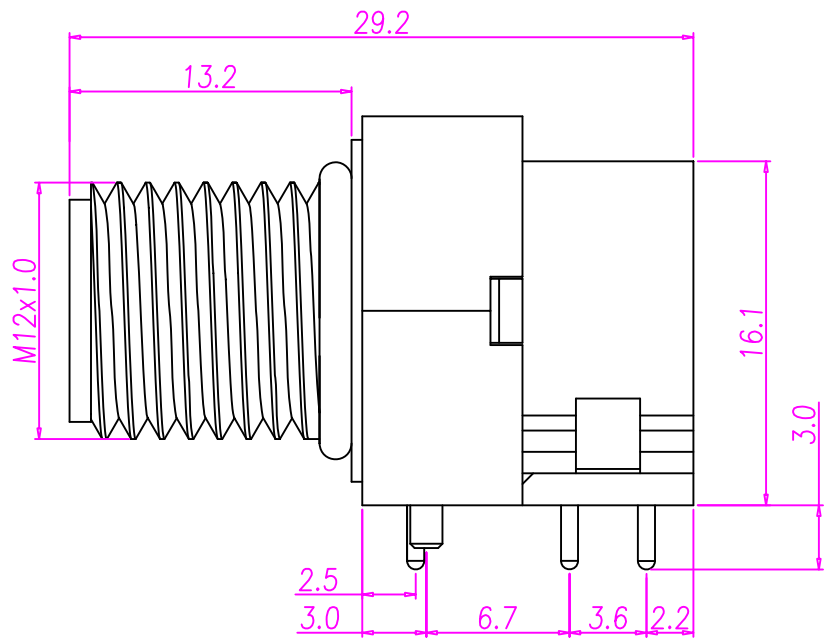
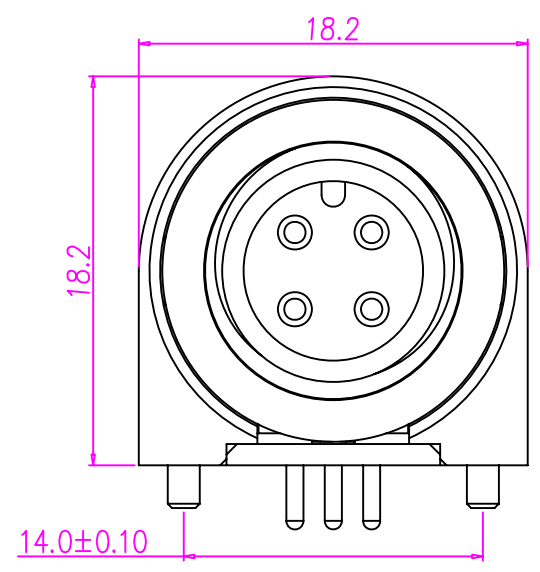
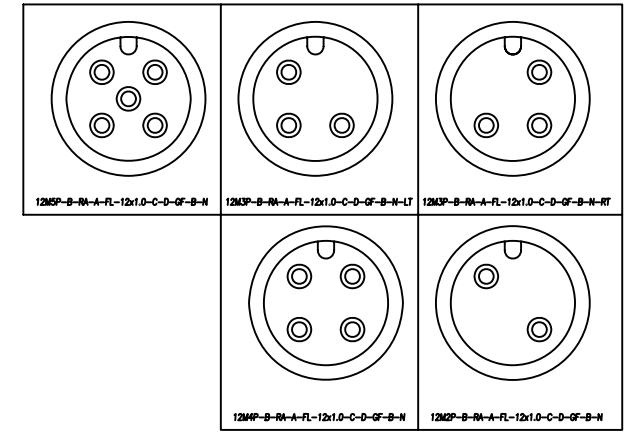


Rev	Revisions	Rev.Drawn	Date
A		Du	22/12/08



NUT



NOTE:

- MATERIAL :
 - 1-1. HOUSING : PBT UL94V-0 ; COLOR : BLACK
 - 1-2. CONTACT : BRASS
 - 1-3. NUT : BRASS
 - 1-4. SHELL : BRASS
 - 1-5. O-RING : EPDM ; COLOR : BLACK
 - 1-6. BACK HOUSING : PBT UL94V-0 ; COLOR : BLACK
 - 1-7. DOWN HOUSING : PBT UL94V-0 ; COLOR : BLACK
- FINISH :
 - 2-1. CONTACT : GOLD FLASH ON OVER ALL UNDER PLATED:NICKEL
 - 2-2. NUT : NICKEL PLATED
 - 2-3. SHELL : NICKEL PLATED
- ELECTRICAL SPECIFICATION :
 - 3-1. Rated current : 5A
 - 3-2. Rated Voltage : 125V
 - 3-3. Water proof: IPX7
- Environmental :
 - 4-1. Operation Temperature : -40~+85°

SST SOUTH SEA TERMINAL CO.,LTD

SGS Report No.:	Customer:	Part No.:	12MSP-B-RA-A-FL-12x1.0-C-D-GF-B-N		
Title: M12 MALE 90° DIP FRONT LOCK for BOARD					
Drawn By: Storm.Li	SCALE	SHEET	REV.	DWG NO.:	TOLERANCE:
Checked By: du	1:1	1/1	A	/	.x ±0.20
Approved By: Tony	Thire angle Projection			Units	.xxx ±0.15
General Dimesion Tolerance			mm		.xxxx ±0.10
					ANGULA ±1°