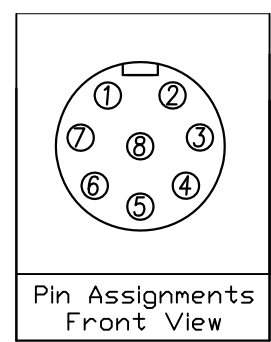
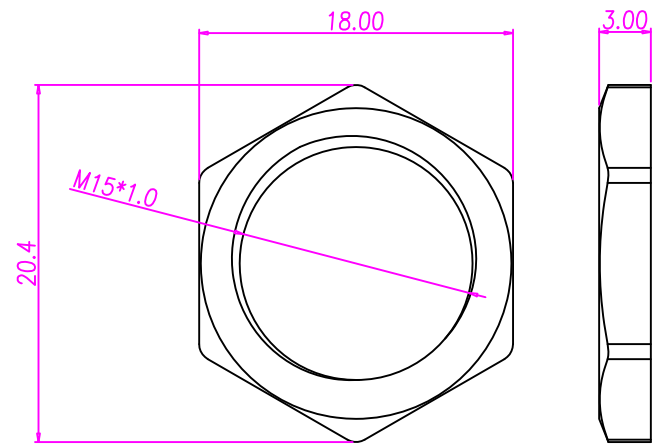
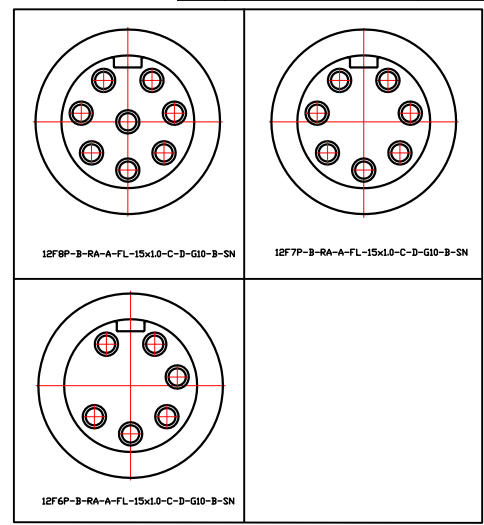
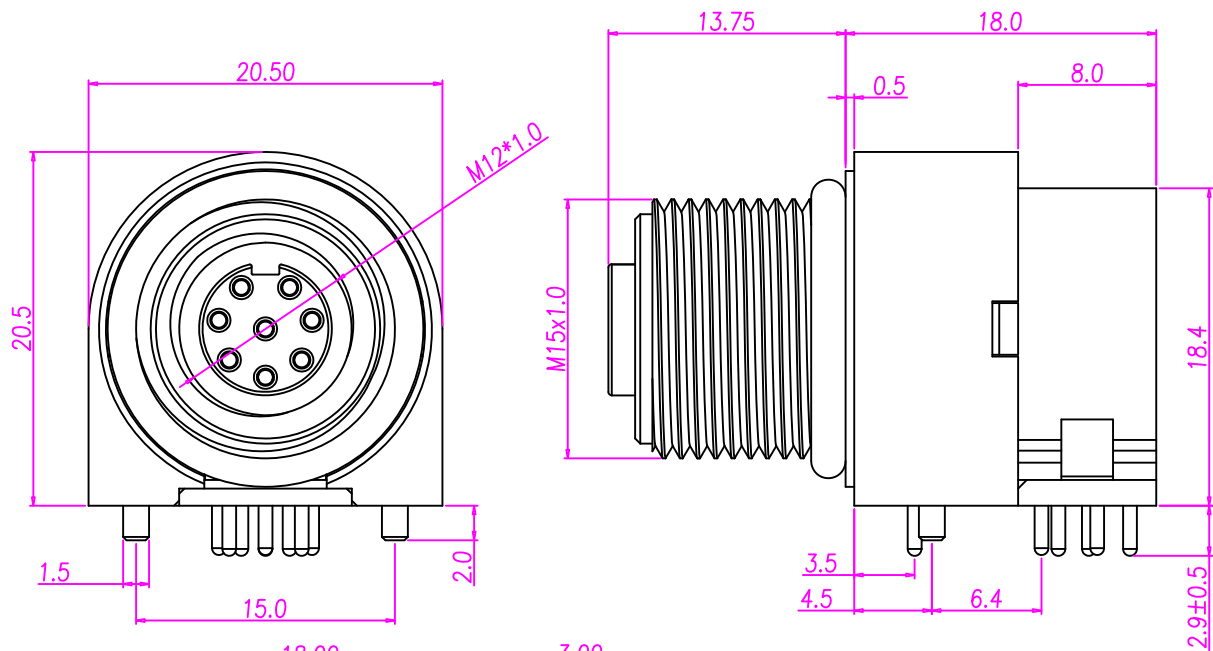


Rev	Revisions	Rev.Drawn	Date
A		Du	22/12/08*

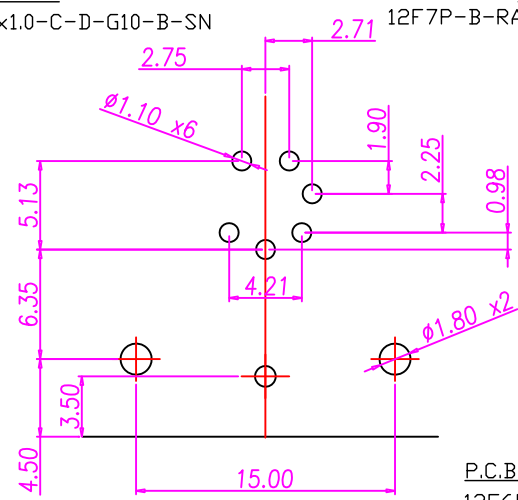
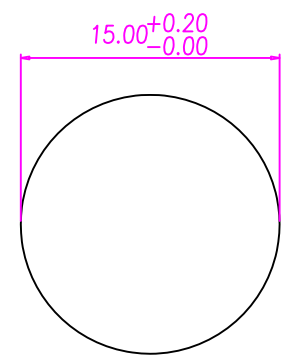
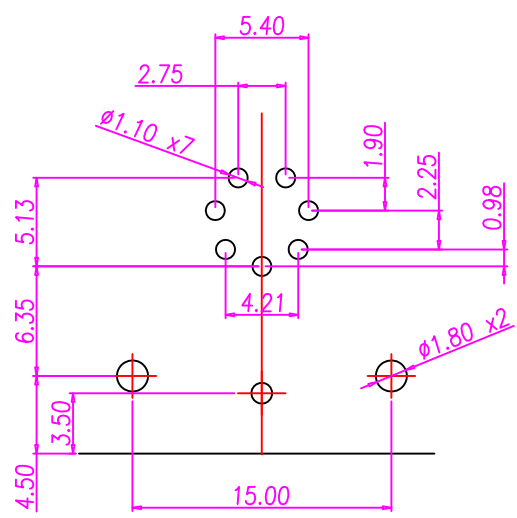
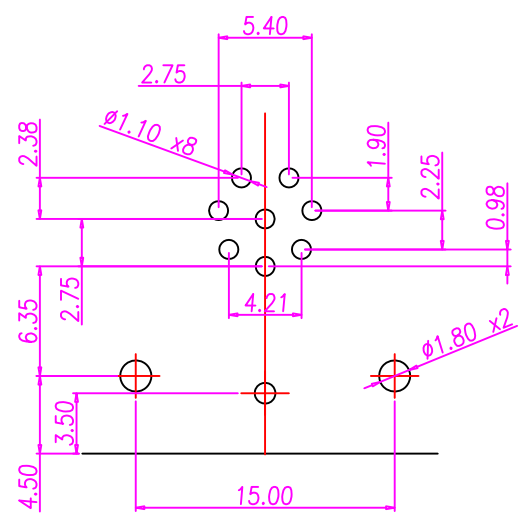


- MATERIAL :
 - 1-1. HOUSING : PBT UL94V-0 ; COLOR : BLACK
 - 1-2. CONTACT : BRASS
 - 1-3. NUT : BRASS
 - 1-4. SHELL : BRASS
 - 1-5. O-RING : EPDM ; COLOR : BLACK
 - 1-6. BACK HOUSING : PBT UL94V-0 ; COLOR : BLACK
 - 1-7. DOWN HOUSING : PBT UL94V-0 ; COLOR : BLACK
- FINISH :
 - 2-1. CONTACT : 10 MICRO INCHES MIN. GOLD PLATED UNDER PLATE ; NICKEL
 - 2-2. NUT : NICKEL 80u"~100u" ON OVER ALL
 - 2-3. SHELL : STAIN NICKEL 80u"~100u" ON OVER ALL
- ELECTRICAL SPECIFICATION :
 - 3-1. Rated current : 3A
 - 3-2. Rated Voltage : 125V
 - 3-3. Water proof: IPX7
- Environmental :
 - 4-1. Operation Temperature : -40°~85°

NUT

SGS Report No.:		Customer:		Part No.:	
				12FBP-B-RA-A-FL-15x1.0-C-D-G10-B-SN	
Drawn By: Storm.Li		Title: M12 FEMALE 90° DIP TYPE FRONT LOCK for BOARD			
Checked By: du		SCALE	SHEET	REV.	DWG NO.:
Approved By: Tony		1:1	1/1	A	/
		Thire angle Projection		Units	
		General Dimesion Tolerance		mm	
				TOLERANCE	
				.x ±0.20	
				.xx ±0.10	
				.xxx ±0.05	
				.xxxx ±0.03	
				ANGULA ±1°	

Rev	Revisions	Rev.Drawn	Date
A		Du	22/12/08*



SST SOUTH SEA TERMINAL CO.,LTD

SGS Report No.: Customer: Part No.:
12F8P-B-RA-A-FL-15x1.0-C-D-G10-B-SN

Title: M12 FEMALE 90° DIP TYPE FRONT LOCK for BOARD

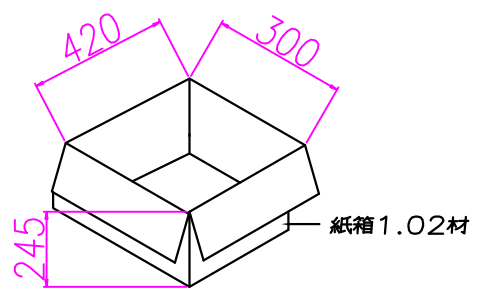
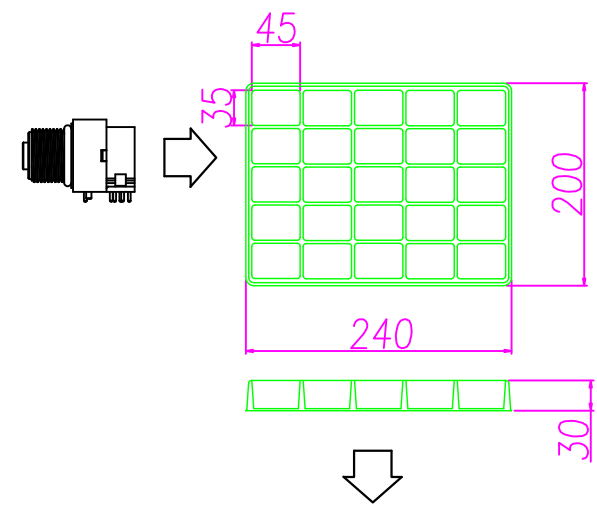
Drawn By: Storm.Li	SCALE	SHEET	REV.	DWG NO.:	Units mm	TOLERANCE .x ±0.20 .xx ±0.10 .xxx ±0.05 .xxxx ±0.03 ANGULA ±1°
Checked By: du	1:1	1/1	A	/		
Approved By: Tony	Third angle Projection			Units mm		
	General Dimension Tolerance					

Rev	Revisions	Rev.Drawn	Date
A		Du	22/12/08*

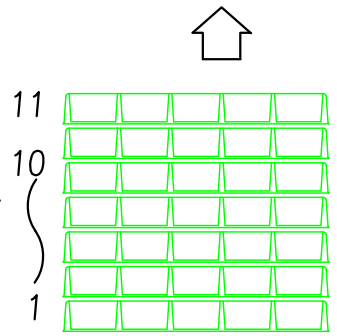
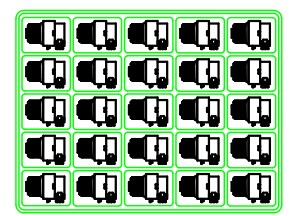
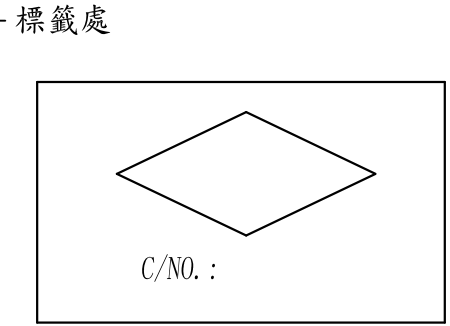
- 步驟一：
1. 將成品一一放入包裝盤內，依同一方向置入。
 2. 包裝方式，如圖所示。
 3. 一個包裝盤25pcs.
 4. 裝滿盤後堆層至10盤止，最上層為空盤做蓋子(共11盤)
 5. 層疊11盤後，在以膠膜固定

- 步驟二：
1. 一個紙箱可以裝20個包裝盤。
 2. 每盤25pcs, 每箱500pcs.
 3. 將包裝盤放紙箱中，後封箱。

- 步驟三：
1. 用膠帶將紙箱封實。
 2. 將標籤貼於紙箱上。



ITEM NO:
 QTY: PGS
 N. W. : KG
 G. W. : KG
 MEAS:



實際層疊(含上層蓋為11層)

1. 若有未裝滿之零數箱，必須以緩衝材塞滿。
2. 在搬運過程中要輕拿輕放。
3. 載運輸中不可堆放過多，不可有重壓現象。
4. PE膠膜纏繞時不可緊綁。
5. 紙箱內層需裝防水袋。

SST SOUTH SEA TERMINAL CO.,LTD

SGS Report No.: Customer: Part No.:
 12FBP-B-RA-A-FL-15x1.0-C-D-G10-B-SN

Title: M12 FEMALE 90° DIP TYPE FRONT LOCK for BOARD

Drawn By: Storm.Li	SCALE	SHEET	REV.	DWG NO.:	TOLERANCE .x ±0.20 .xx ±0.10 .xxx ±0.05 .xxxx ±0.03 ANGULA ±1°
Checked By: du	1:1	1/1	A	/	
Approved By: Tony	Third angle Projection			Units mm	
	General Dimension Tolerance				