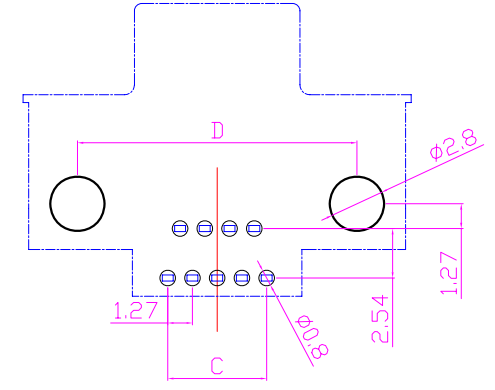
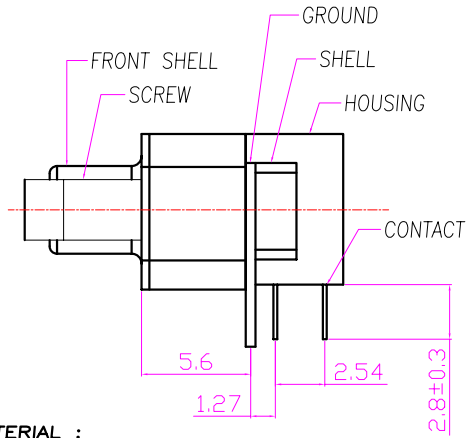
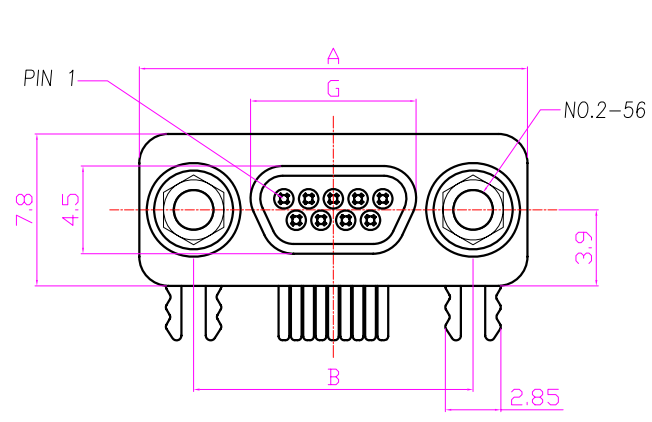
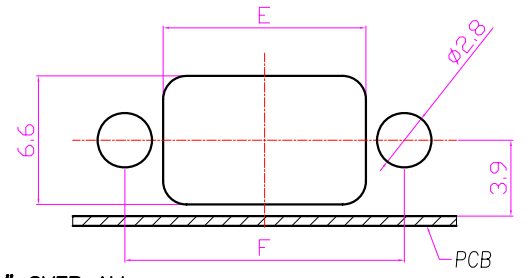
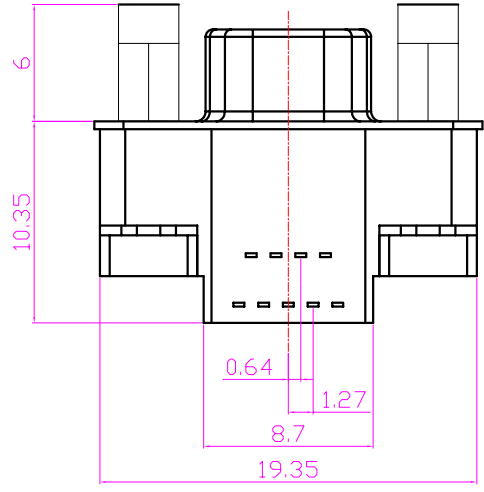


Rev	Revisions	Rev.Drawn	Date
A		Du	12.03.2010
B		Du	12.03.2011

P/N	NUMBER OF PINS	A	B	C	D	E	F	G
DB-09F3-02	9	19.93	14.35	5.08	14.35	10.41	14.35	8.30
DB-15F3-02	15	23.75	18.16	8.89	18.16	14.22	18.16	12.20
DB-25F3-02	25	30.10	24.51	15.23	24.51	20.57	24.51	18.55



P.C.B LAYOUT



PANEL CUT-OUT

- MATERIAL :
 - HOUSING : LCP UL94V-0 ; COLOR : BLACK
 - CONTACT : PHOSPHOR BRONZE
 - FRONT SHELL : SPCC
 - SHELL : BRASS
 - GROUND : BRASS
 - SCREW : BRASS
- FINISH :
 - CONTACT : GOLD 15u" ON CONTACT AREA
MATTE TIN 60u" ON SOLDER AREA
 - FRONT SHELL : NICKEL PLATED 60u" ~ 100u" OVER ALL
 - SHELL : NICKEL PLATED 60u" ~ 100u" OVER ALL
 - GROUND : NICKEL PLATED 60u" ~ 100u" OVER ALL
 - SCREW : NICKEL PLATED 60u" ~ 100u" OVER ALL
- ELECTRICAL SPECIFICATION :
 - Rated current : 1A at 25°C/77°F, 0.7A at 70°C/158°F
 - Voltage : 350Vac
- Environmental :
 - Operation Temperature : -40°C~+125°C

SST SOUTH SEA TERMINAL CO.,LTD

SGS Report No.:	Customer:	Part No.: DB-XXF3-02
Title: MICRO D-SUB 9-25P(F) 板±90°		
Drawn By: Storm.Li	SCALE /	SHEET 1/1
Checked By: du	REV. B	DWG NO. /
Approved By: Tony	Thire angle Projection	General Dimesion Tolerance
Units mm		TOLERANCE: .x ±0.20 .xx ±0.15 .xxx ±0.10 .xxxx ±0.05 ANGULAR ±1°