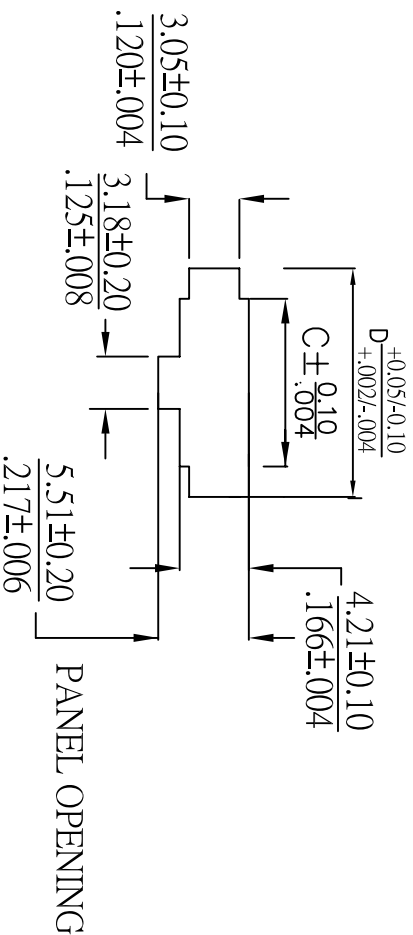


mm
inches

WW300-F1xN(N=2-12P)
WW300-F1xN(E)(N=2-12P)
Single Row Plug Housing
* Available in 2 thru 12 circuits
* Material: UL 94V-0
* Standard color: Black
* Accepts WW300-MT series terminals
* Mates with WW300-M1xN series housing
* Recommended panel thickness: 1.57mm



Dimensional Information-in(mm)

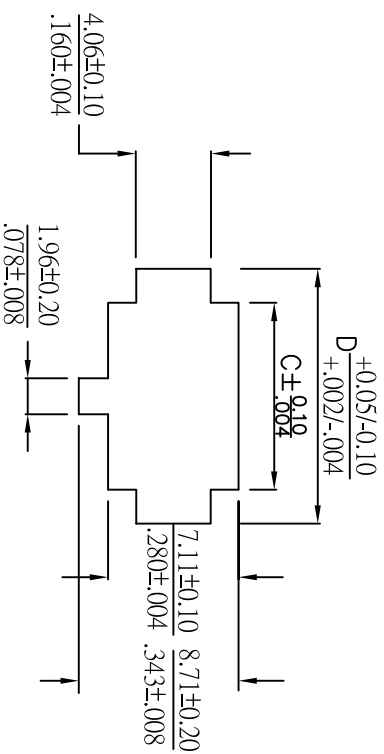
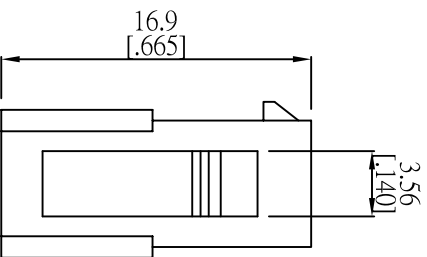
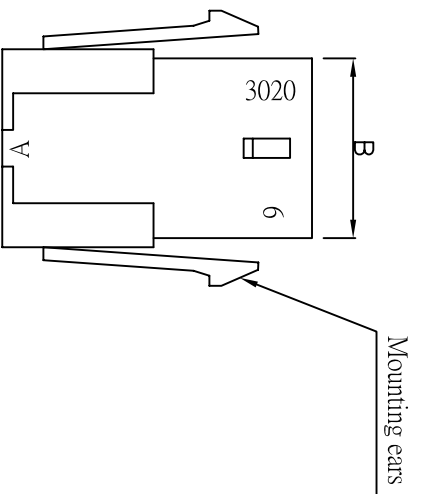
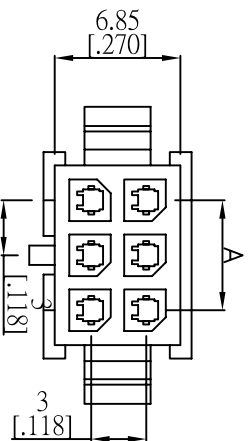
CIRCUITS	Dim.A	Dim.B	Dim.C	Dim.D	CIRCUITS	Dim.A	Dim.B	Dim.C	Dim.D
2	0.118(3.0)	0.276(7.0)	0.284(7.21)	0.429(10.90)	8	0.827(21.0)	0.984(25.0)	0.992(25.20)	1.137(28.88)
3	0.236(6.0)	0.394(10.0)	0.402(10.21)	0.547(13.89)	9	0.945(24.0)	1.102(28.0)	1.110(28.20)	1.255(31.88)
4	0.354(9.0)	0.512(13.0)	0.520(13.21)	0.665(16.89)	10	1.063(27.0)	1.220(31.0)	1.229(31.22)	1.373(34.87)
5	0.472(12.0)	0.630(16.0)	0.638(16.21)	0.783(19.89)	11	1.181(30.0)	1.339(34.0)	1.347(34.22)	1.491(37.87)
6	0.591(15.0)	0.748(19.0)	0.756(19.21)	0.901(22.89)	12	1.299(33.0)	1.457(37.0)	1.465(37.22)	1.609(40.87)
7	0.709(18.0)	0.866(22.0)	0.874(22.20)	1.019(25.88)					

Ordering Information

Part No.	Feature
WW300-F1xN(E)	With mounting ears
WW300-F1xN	Without mounting ears

Rev	Description/Date	Drawn By: Storm.li	Customer:	Third angle projection	Units:	X ± .XX ± 0.40
△	Sample/Oct.21.2006	Checked By: Simmon	WW300-F1xN(E)		mm	.XXX ±
△		Approved By: Tony				

SGS Report No.:			Title:			Single Row Female Housing			SOUTH SEA TERMINAL CO.,LTD		
-----------------	--	--	--------	--	--	---------------------------	--	--	-----------------------------------	--	--



PANEL OPENING

WW300-F2xN(N=1-12P)
WW300-F2xN(E)(N=1-12P)

Dual Row Plug Housing

- * Available in 2 thru 24 circuits
- * Material: UL 94V-0
- * Standard color: Black
- * Accepts WW300-MT series terminals
- * Mates with WW300-M2xN series housing
- * Recommended panel thickness: 1.57mm

Dimensional Information-in(mm)

CIRCUITS	Dim.A	Dim.B	Dim.C	Dim.D	CIRCUITS	Dim.A	Dim.B	Dim.C	Dim.D
2	0.157(4.0)	0.166(4.21)	0.311(7.90)	0.311(7.90)	14	0.709(18.0)	0.866(22.0)	0.874(22.20)	1.019(25.88)
4	0.118(3.0)	0.276(7.0)	0.284(7.21)	0.429(10.90)	16	0.827(21.0)	0.984(25.0)	0.992(25.20)	1.137(28.88)
6	0.236(6.0)	0.394(10.0)	0.402(10.21)	0.547(13.89)	18	0.945(24.0)	1.102(28.0)	1.110(28.20)	1.255(31.88)
8	0.354(9.0)	0.512(13.0)	0.520(13.21)	0.665(16.89)	20	1.063(27.0)	1.220(31.0)	1.229(31.22)	1.373(34.87)
10	0.472(12.0)	0.630(16.0)	0.638(16.21)	0.783(19.89)	22	1.181(30.0)	1.339(34.0)	1.347(34.22)	1.491(37.87)
12	0.591(15.0)	0.748(19.0)	0.756(19.21)	0.901(22.89)	24	1.299(33.0)	1.457(37.0)	1.465(37.22)	1.609(40.87)

Ordering Information

Part No.	Feature
WW300-F2xN(E)	With mounting ears
WW300-F2xN	Without mounting ears

Rev Description/Date Drawn By: Storm.li

Checked By: Simmon Approved By: Tony

Customer: WW300-F2xN(E)

Part No.: Part No.: Dual Row Female Housing

Third angle projection General Dimension Tolerance Units: mm

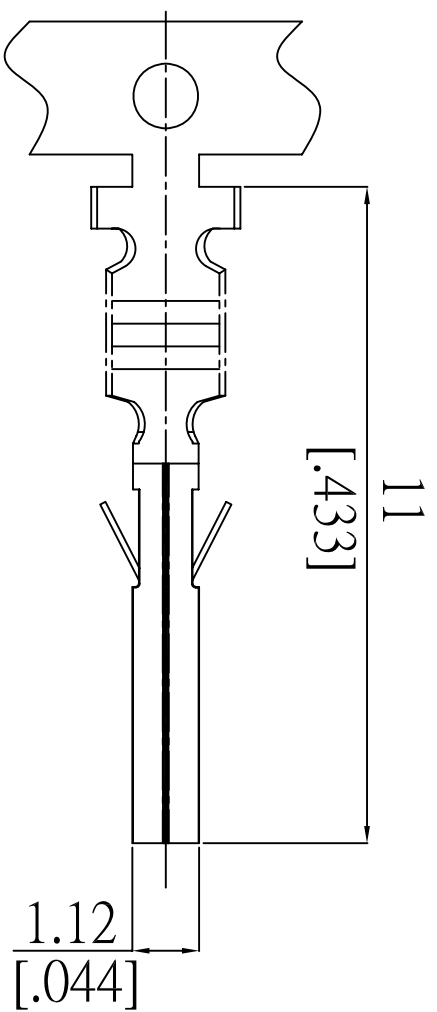
SGS Report No.:

Title: Dual Row Female Housing

South Sea Terminal Co., Ltd

X± .X±0.40
.XX±0.30
.XXX±

mm
inches

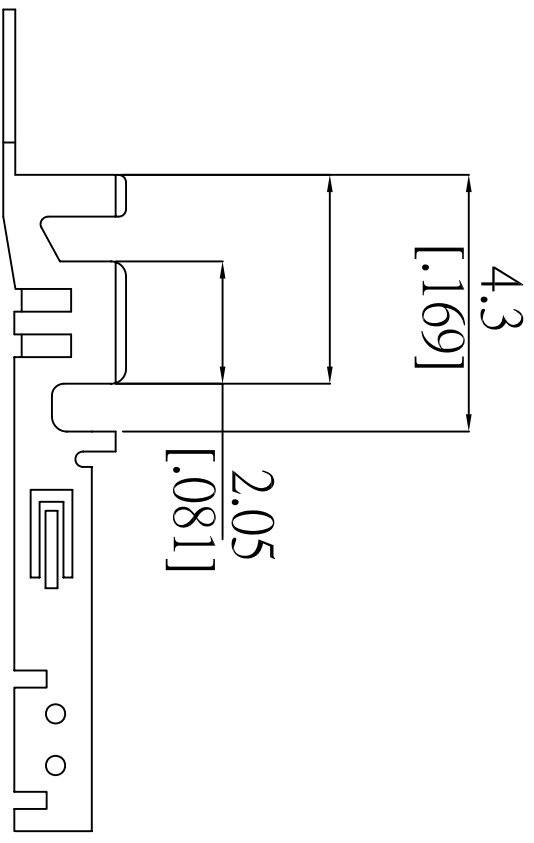


WW300-FT Female Crimp Terminal

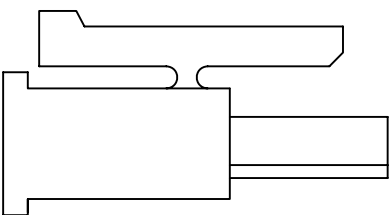
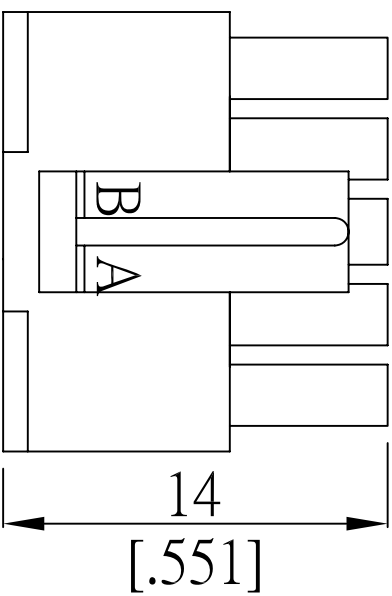
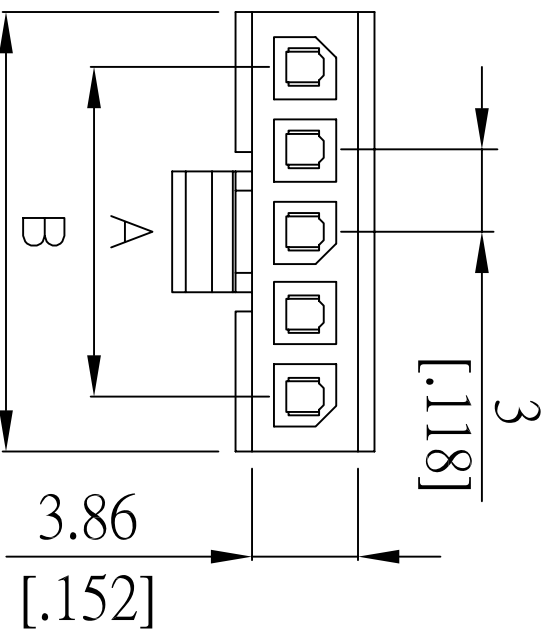
- * Material: Phosphor bronze
- * Finished: Tin-plated or Gold Flash
- * Used in WW300-M2XN, WW300-M1xN series housings
- * Wire range: AWG#22-#26
- * Thickness: 0.2mm

Ordering Information

Part No.	Finished	Wire size
WW300-FT	Tin-plated	#22~#26AWG
WW300-FTG	Gold flash	#22~#26AWG



Rev	Description/Date	Drawn By: Storm.li	Customer:	Third angle projection	Units:	X ±
△	Sample/Oct.21.2006	Checked By: Simmon	Part No.: WW300-FT	General Dimension Tolerance	mm	.XX±0.30
△		Approved By: Tony	Title: Female Crimp Terminal			.XXX±
SGS Report No.:				SOUTH SEA TERMINAL CO., LTD		



WW300-M1xN(N=2-12P) Single Row Receptacle Housing

- * Available in 2 thru 12 circuits
- * Material:UL 94V-0
- * Standard color:Black
- * Accepts WW300-FT series terminals
- * Mates with WW300-F1xN series housing
- * Mates with WW300-F1xN(E) series housing
- * Mates with: WW300-V1xN,WW300-R1xN headers

Dimensional Information-in(mm)

CIRCUITS	Dim.A	Dim.B	Dim.C	Dim.D
2	0.118(3.0)	0.276(7.0)	0.284(7.21)	0.429(10.90)
3	0.236(6.0)	0.394(10.0)	0.402(10.21)	0.547(13.89)
4	0.354(9.0)	0.512(13.0)	0.520(13.21)	0.665(16.89)
5	0.472(12.0)	0.630(16.0)	0.638(16.21)	0.783(19.89)
6	0.591(15.0)	0.748(19.0)	0.756(19.21)	0.901(22.89)
7	0.709(18.0)	0.866(22.0)	0.874(22.20)	1.019(25.88)
8	0.827(21.0)	0.984(25.0)	0.992(25.20)	1.137(28.88)
9	0.945(24.0)	1.102(28.0)	1.110(28.20)	1.255(31.88)
10	1.063(27.0)	1.220(31.0)	1.229(31.22)	1.373(34.87)
11	1.181(30.0)	1.339(34.0)	1.347(34.22)	1.491(37.87)
12	1.299(33.0)	1.457(37.0)	1.465(37.22)	1.609(40.87)

Rev	Description/Date	Drawn By: Storm.li	Customer:	Third angle projection	Units: mm	X± .X±0.40
△	Sample/Oct.21.2006	Checked By:Simmon	Part No.: WW300-M1xN	General Dimension Tolerance	mm	.XX±0.30
△		Approved By: Tony	Title: Single Row Male Housing			.XXX±
SGS Report No.:			SOUTH SEA TERMINAL CO.,LTD			

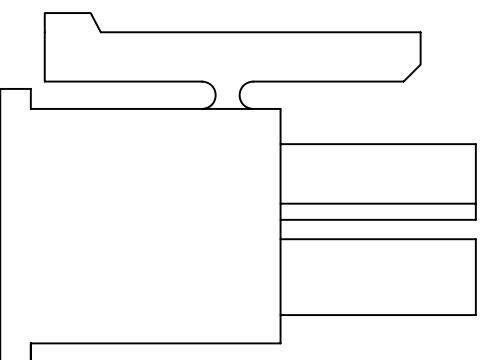
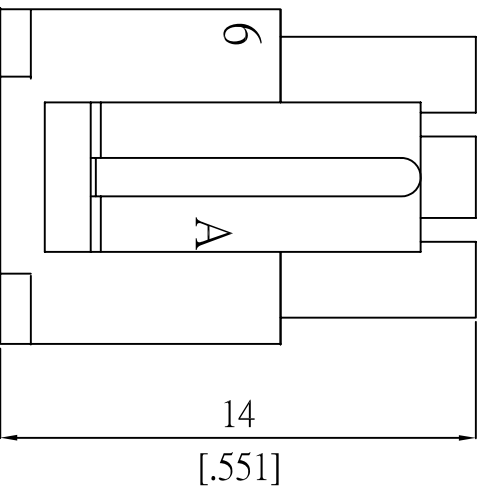
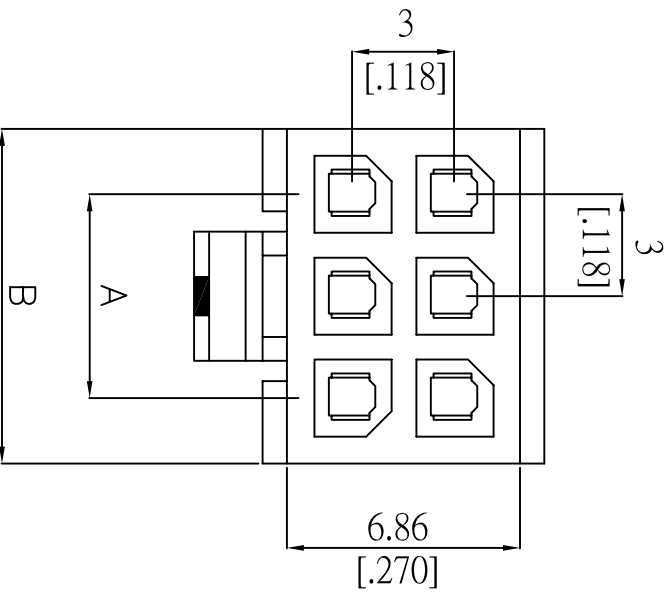
WW300-M2xN(N=1-12P)

Dual Row Male Housing

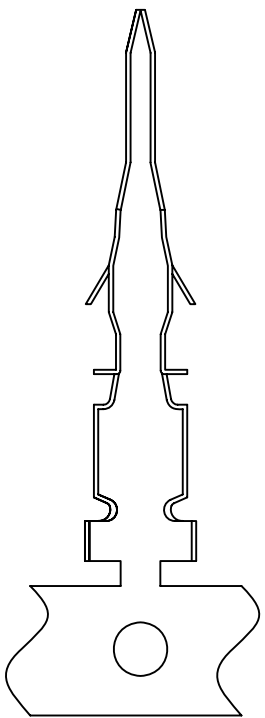
- * Available in 2 thru 24 circuits
- * Material:UL 94V-0
- * Standard color:Black
- * Accepts WW300-FT series terminals
- * Mates with WW300-F2xN series housing
- * Mates with WW300-F2xN(E) series housing
- * Mates with WW300-V2xN headers
- * Mates with WW300-R2xN headers

Dimensional Information-in(mm)

CIRCUITS	Dim.A	Dim.B
2	0.118(3.0)	0.157(4.0)
4	0.236(6.0)	0.276(7.0)
6	0.354(9.0)	0.394(10.0)
8	0.472(12.0)	0.512(13.0)
10	0.591(15.0)	0.630(16.0)
12	0.709(18.0)	0.748(19.0)
14	0.827(21.0)	0.866(22.0)
16	0.945(24.0)	0.984(25.0)
18	1.063(27.0)	1.102(28.0)
20	1.181(30.0)	1.220(31.0)
22	1.299(33.0)	1.339(34.0)
24	1.417(36.0)	1.457(37.0)



Rev	Description/Date	Drawn By: Storm.li	Customer:	Third angle projection	Units: mm	X± .X±0.40 .XX±0.30 .XXX±
△	Sample/Oct.21.2006	Checked By:Simmon	Part No.: WW300-M2xN	General Dimension Tolerance		
△	SGS Report No.:	Approved By: Tony	Title: Dual Row Male Housing	SOUTH SEA TERMINAL CO.,LTD		
1	2	3	4			

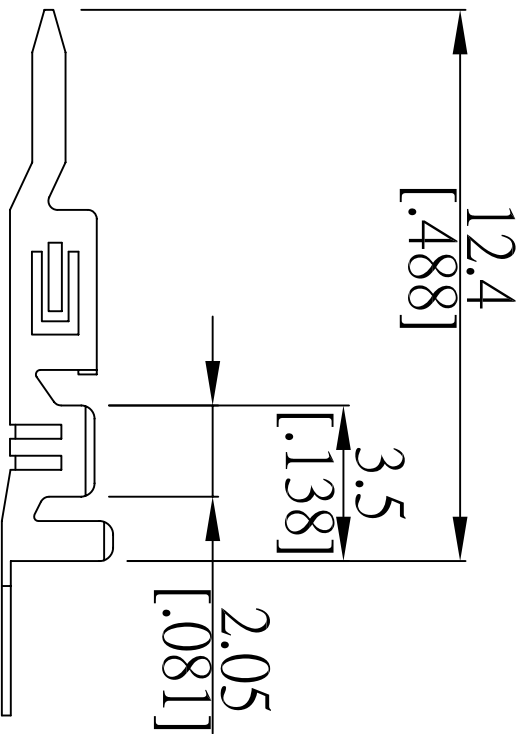


mm
inches

WW300-MT

Male Crimp Terminal

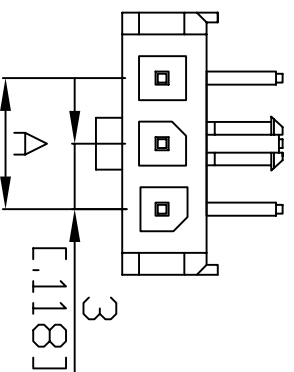
- * Material: Phosphor bronze
- * Finished: Tin-plated or Gold flash
- * Used in WW300-F2xN, WW300-F2xN(E) series housings
- WW300-F1xN, WW300-F1xN(E) series housings
- * Wire range: AWG#22-#26
- * Thickness: 0.2mm



Ordering Information

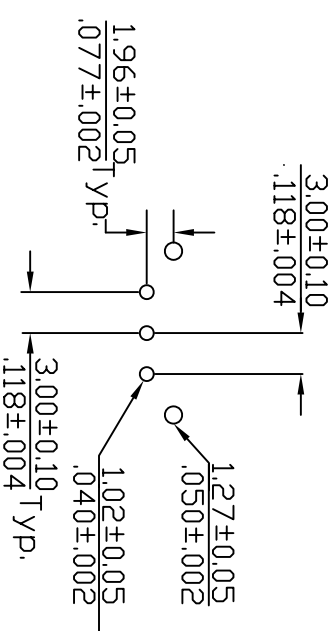
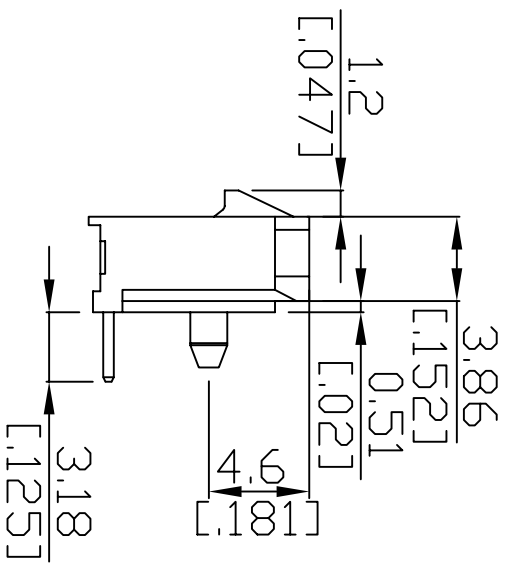
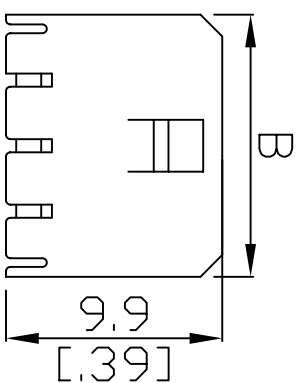
Part No.	Finished	Wire size
WW300-MT	Tin-plated	#22-#26AWG
WW300-MTG	Gold flash	#22-#26AWG

Rev	Description/Date	Drawn By: Storm.li	Customer:	Third angle projection	Units:	X ±
△	Sample/Oct.21.2006	Checked By: Simmon	Part No.: WW300-MT		mm	.X±0.40
△	SGS Report No.:	Approved By: Tony	Title: Male Crimp Terminal			.XX±0.30
<p style="text-align: center;">SOUTH SEA TERMINAL CO., LTD</p>						



mm
Inches

- WW300-R1XN(N=2-12P) Right Angle Header
- 2~12 circuits available
- Material: Nylon 9T
- .025"(0.64mm) square pins
- Tin-plated brass pin
- Mates with WW300-M1XN(N=2-12P) housing



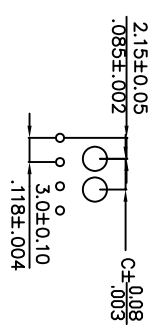
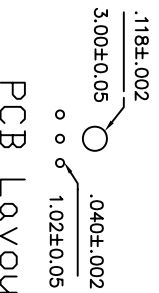
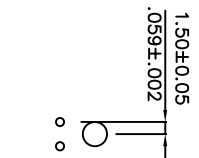
PCB Layout: Component side

Recommended PCB thickness: 1.57 / .062

2 circuit

3 circuit

4~12 circuit



PCB Layout

Dimensional Information-In(mm)/W/W300-R1XN

Circuits	Dim.A	Dim.B	Dim.C	Circuits	Dim.A	Dim.B	Dim.C
2	0.118(3.0)	0.354(9.0)		8	0.827(21.0)	1.063(27.0)	0.657(16.7)
3	0.236(6.0)	0.472(12.0)		9	0.945(24.0)	1.181(30.0)	0.776(19.7)
4	0.354(9.0)	0.591(15.0)	0.185(4.7)	10	1.063(27.0)	1.299(33.0)	0.894(22.7)
5	0.472(12.0)	0.709(18.0)	0.303(7.7)	11	1.181(30.0)	1.417(36.0)	1.012(25.7)
6	0.591(15.0)	0.827(21.0)	0.421(10.7)	12	1.299(33.0)	1.535(39.0)	1.130(28.7)
7	0.709(18.0)	0.945(24.0)	0.539(13.7)				

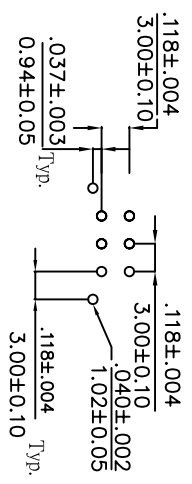
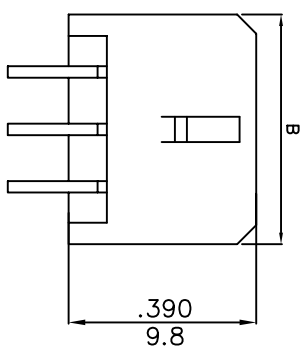
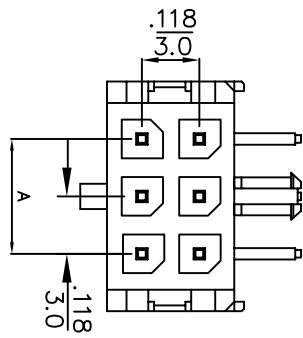
Rev	Description/Date	Drawn By: Storm.li	Customer:	Third angle projection	Units: mm	X± .X±0.40 .XX±0.30 .XXX±
△	Sample/Oct.21.2006	Checked By:Simmon	Part No.:	General Dimension Tolerance		
△		Approved By: Tony	Title:			

SGS Report No.:	WW300-R1XN	Single Row Right Angle Header	SOUTH SEA TERMINAL CO.,LTD
-----------------	------------	-------------------------------	-----------------------------------

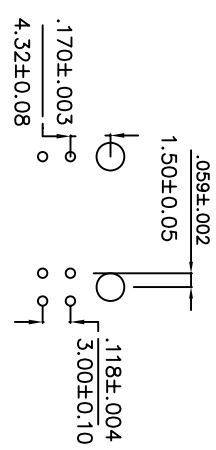
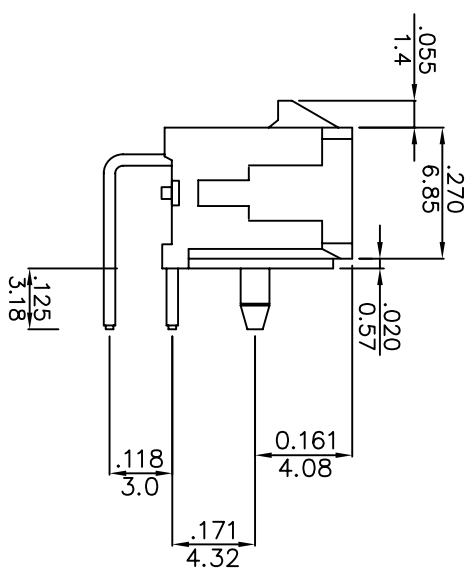
WW300-R2xN(N=1-12P)

Right Angle Header

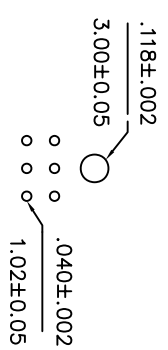
- 2~24 circuits available
- Material: Nylon 9T
- .025" (0.64mm) square pins
- Tin-plated brass pin
- Mates with WW300-M2xN Housing



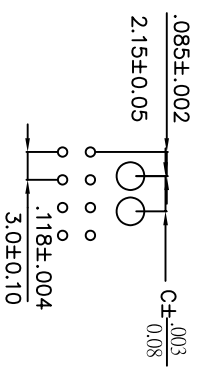
PCB Layout/Component side
Recommended PCB thickness: $\frac{.062}{1.57}$



2 circuit 4 circuit



6 circuit



8~24 circuit

PCB Layout

Dimensional Information-In(mm) WW300-R2xN

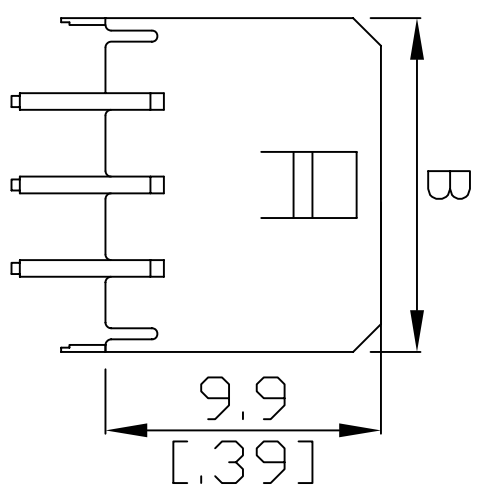
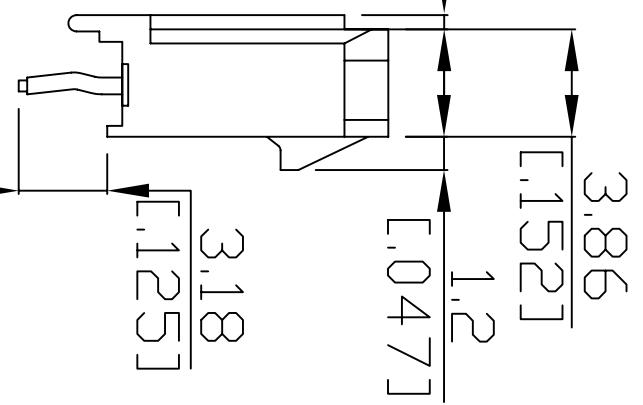
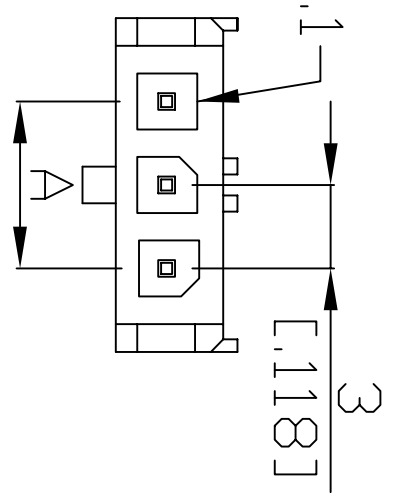
Circuits	Dim.A	Dim.B	Dim.C
2	0.236(6.0)		
4	0.118(3.0)	0.354(9.0)	
6	0.236(6.0)	0.472(12.0)	
8	0.354(9.0)	0.591(15.0)	0.185(4.7)
10	0.472(12.0)	0.709(18.0)	0.303(7.7)
12	0.591(15.0)	0.827(21.0)	0.421(10.7)
14	0.709(18.0)	0.945(24.0)	0.539(13.7)
16	0.827(21.0)	1.063(27.0)	0.657(16.7)
18	0.945(24.0)	1.181(30.0)	0.776(19.7)
20	1.063(27.0)	1.299(33.0)	0.894(22.7)
22	1.181(30.0)	1.417(36.0)	1.012(25.7)
24	1.299(33.0)	1.535(39.0)	1.130(28.7)

Rev	Description/Date	Drawn By: Storm.li	Customer:	Third angle projection
△	Sample/Sep.11.2006	Checked By:Simmon	Part No.: WW300-R2xN	General Dimension Tolerance
△		Approved By: Tony	Title: Dual Row Right Angle Header	Units: mm
SGS Report No.:				SOUTH SEA TERMINAL CO.,LTD

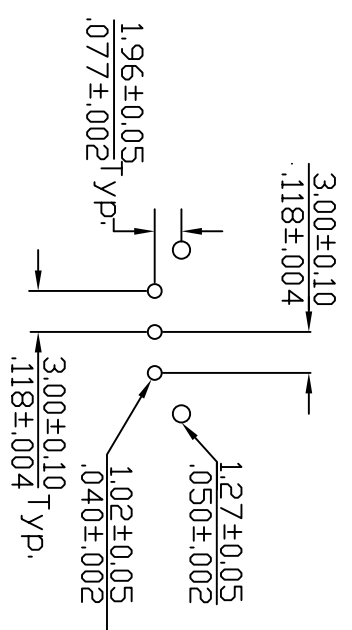
1	2	3	4	5	6	7	8	9	10	11	12	13	14
---	---	---	---	---	---	---	---	---	----	----	----	----	----

mm
Inches

Circuit No.1



- W/300-V1XN(N=2-12P)
Vertical Header
- 2~12 circuits available
- Material: Nylon 9T
- .025*(0.64mm) square pins
- Tin-plated brass pin
- Mates with W/300-M1XN(N=2-12P) housing

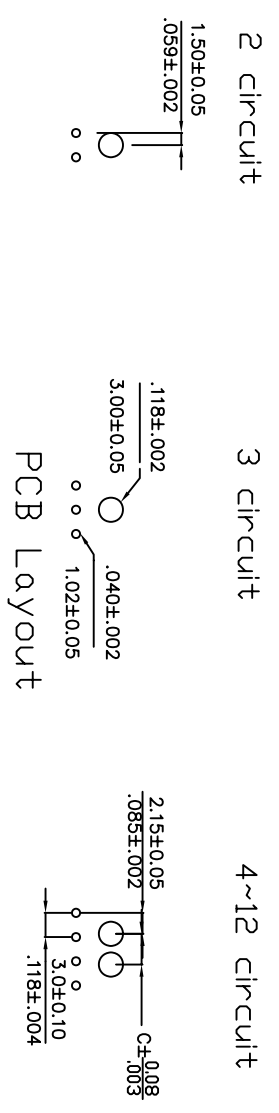


PCB Layout:Component side

Recommended PCB thickness: $\frac{1.57}{.062}$

Dimensional Information-In(mm)\W/300-V1XN

Circuits	Dim.A	Dim.B	Dim.C	Circuits	Dim.A	Dim.B	Dim.C
2	0.118(3.0)	0.354(9.0)		8	0.827(21.0)	1.063(27.0)	0.657(16.7)
3	0.236(6.0)	0.472(12.0)		9	0.945(24.0)	1.181(30.0)	0.776(19.7)
4	0.354(9.0)	0.591(15.0)	0.185(4.7)	10	1.063(27.0)	1.299(33.0)	0.894(22.7)
5	0.472(12.0)	0.709(18.0)	0.303(7.7)	11	1.181(30.0)	1.417(36.0)	1.012(25.7)
6	0.591(15.0)	0.827(21.0)	0.421(10.7)	12	1.299(33.0)	1.535(39.0)	1.130(28.7)
7	0.709(18.0)	0.945(24.0)	0.539(13.7)				



PCB Layout

Third angle projection

General Dimension Tolerance

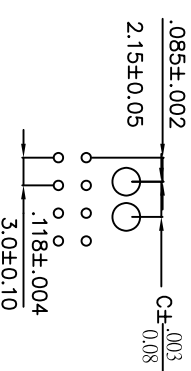
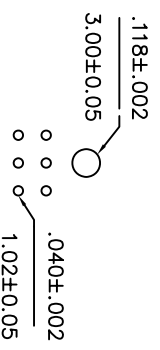
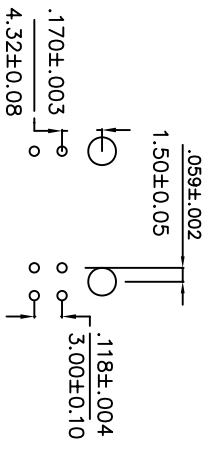
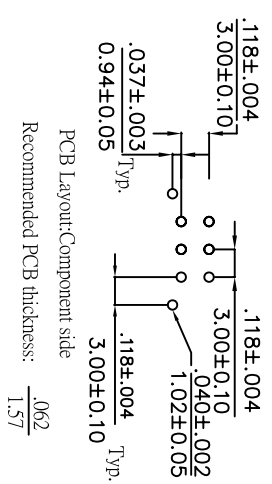
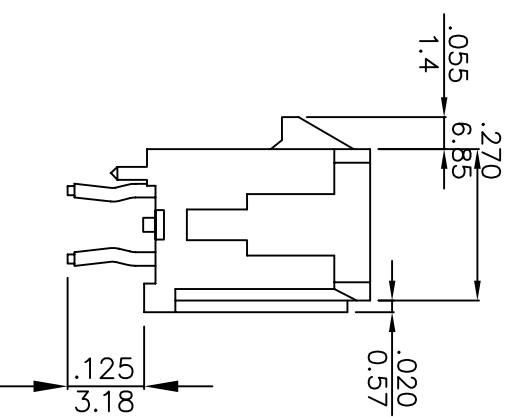
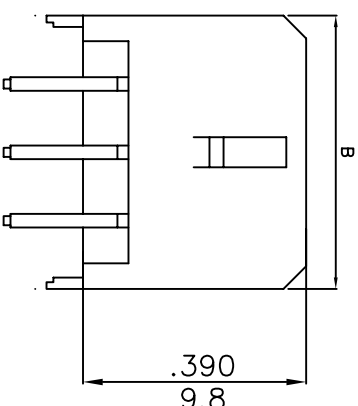
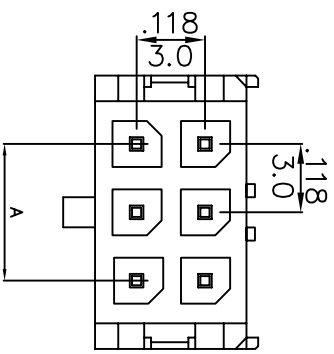
Units: mm
X± .X±0.40
.XX±0.30
.XXX±

Rev	Description/Date	Drawn By: Storm.li
△	Sample/Oct.21.2006	Checked By:Simmon
△		Approved By: Tony

SGS Report No.:

1 2 3 4 5 6 7 8 9 10 11 12 13 14

Part No.: WW300-V1XN
Title: Single Row Vertical Header
SOUTH SEA TERMINAL CO.,LTD



2 circuit 4 circuit

6 circuit

8~24 circuit

PCB Layout

WW300-V2xN (N=1-12P) Vertical Header

- 2~24 circuits available
- Material: Nylon 9T
- .025"(0.64mm) square pins
- Tin-plated brass pin
- Mates with WW300-M2xN Housing

Dimensional Information-In(mm) WW300-V2xN

Circuits	Dim.A	Dim.B	Dim.C
2		0.236(6.0)	
4	0.118(3.0)	0.354(9.0)	
6	0.236(6.0)	0.472(12.0)	
8	0.354(9.0)	0.591(15.0)	0.185(4.7)
10	0.472(12.0)	0.709(18.0)	0.303(7.7)
12	0.591(15.0)	0.827(21.0)	0.421(10.7)
14	0.709(18.0)	0.945(24.0)	0.539(13.7)
16	0.827(21.0)	1.063(27.0)	0.657(16.7)
18	0.945(24.0)	1.181(30.0)	0.776(19.7)
20	1.063(27.0)	1.299(33.0)	0.894(22.7)
22	1.181(30.0)	1.417(36.0)	1.012(25.7)
24	1.299(33.0)	1.535(39.0)	1.130(28.7)

Rev	Description/Date	Drawn By: Storm.li	Customer:	Third angle projection	Units: mm	X± .X±0.40 .XX±0.30 .XXX±
△	Sample/Sep.11.2006	Checked By:Simmon	Part No.: WW300-V2xN	General Dimension Tolerance	Units: mm	.XXX±
△		Approved By: Tony	Title: Dual Row Vertical Header			
SGS Report No.:				SOUTH SEA TERMINAL CO.,LTD		