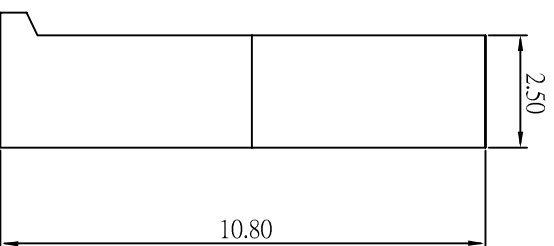
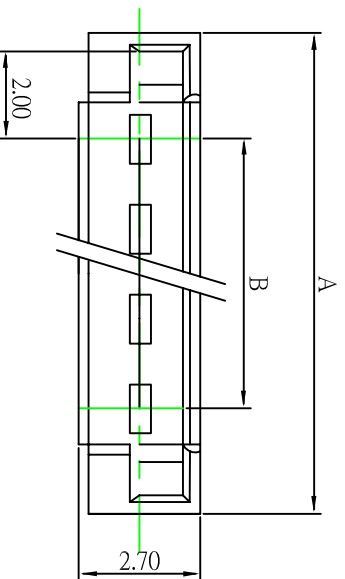


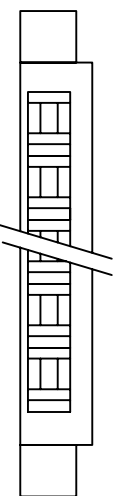
Part No.	Wire range		Material/ Finish	Thickness	Insulation	Reel
	Awg#	mm ²				
WW079-MTP	24-28	0.2-0.08	Brass/Tin	0.20	1.5-1.1	10,000
WW079-F1T	24-28	0.2-0.08	Phos/Tin	0.20	1.5-1.1	10,000

Rev	Description/Date	Drawn By: Storm.li	Customer:	Third angle projection	Units: mm
△		Checked By: Simmon	Part No.:	WW079-M&F	X.X ±0.25
△		Approved By: Tony	Title:	Terminal	X.XX ±0.1
SGS Report No.: KA/2005/40815/A-2			SOUTH SEA TERMINAL CO., LTD		



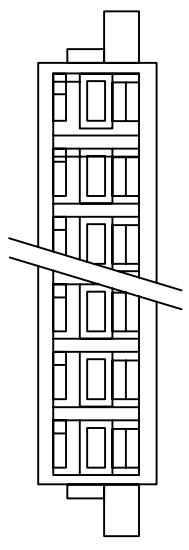
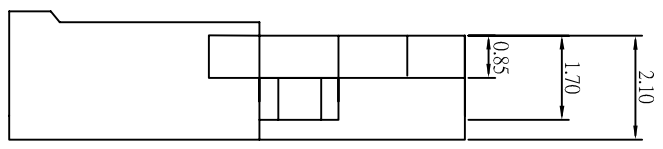
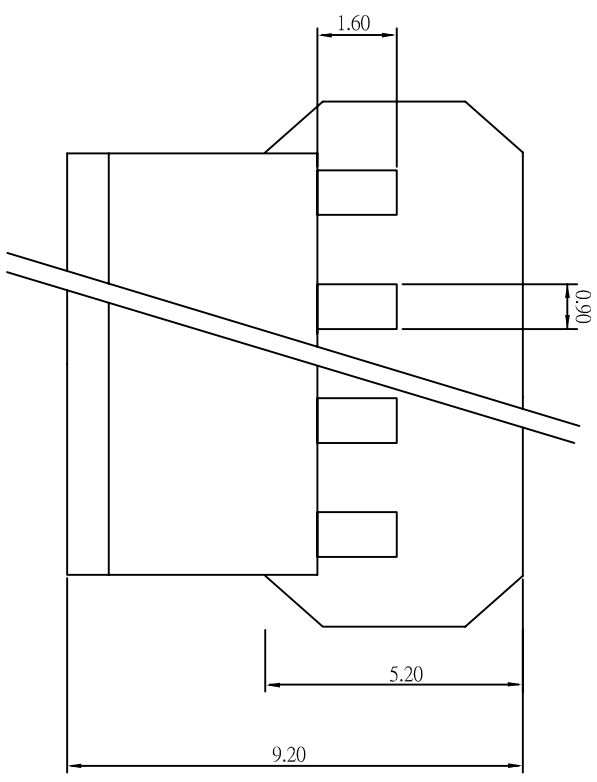
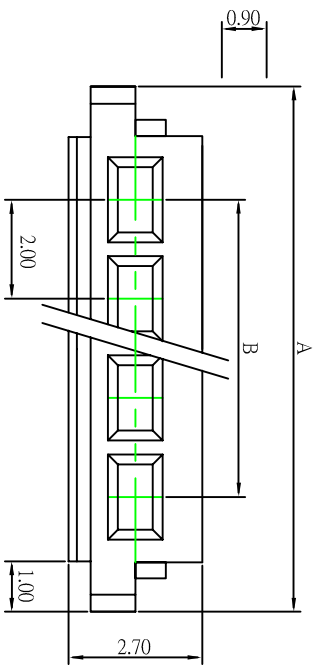
Poles	Part No.	Dimensions (mm)	
		A	B
2	WW079-F02	8.00	2.00
3	WW079-F03	10.00	4.00
4	WW079-F04	12.00	6.00
5	WW079-F05	14.00	8.00
6	WW079-F06	16.00	10.00
7	WW079-F07	18.00	12.00
8	WW079-F08	20.00	14.00
9	WW079-F09	22.00	16.00
10	WW079-F10	24.00	18.00

Material: Nylon 66 UL94V-0
 Accept WW079-MTP
 Current rating: 2A AC, DC Max
 Voltage Rating: 125V AC, DC
 Contact resistance: 20mΩ Max
 Insulation resistance: 500MΩ Min
 Withstanding voltage : 1000V AC/Minute
 Temperature range: -25° C to +85° C



Rev	Description/Date	Drawn By: Storm.li	Customer:
△		Checked By: Simmon	Part No.: WW079-F Series
△		Approved By: Tony	Title: Housing
SGS Report No.: KA/2004/80788/A-2			Third angle projection
			General Dimension Tolerance
			Units: mm

1	2	3	4	5	6	7	8	9	10	11	12	13	14
SOUTH SEA TERMINAL CO., LTD													



Material: Nylon 66 UL94V-0
 Accept WW079-FTP
 Current rating: 2A AC, DC Max
 Voltage Rating: 125V AC, DC
 Contact resistance: 20mΩ Max
 Insulation resistance: 500MΩ Min
 Withstanding voltage : 1000V AC/Minute
 Temperature range: -25° C to +85° C

Poles	Part No.	Dimensions (mm)	
		A	B
2	WW079-M02	6.60	2.00
3	WW079-M03	8.60	4.00
4	WW079-M04	10.60	6.00
5	WW079-M05	12.60	8.00
6	WW079-M06	14.60	10.00
7	WW079-M07	16.60	12.00
8	WW079-M08	18.60	14.00
9	WW079-M09	20.60	16.00
10	WW079-M10	22.60	18.00

Rev	Description/Date	Drawn By: Storm.li	Customer:	Third angle projection	Units: mm
△		Checked By: Simmon	Part No.:	General Dimension Tolerance	XX ±0.25 XXX ±0.1 XXXX ±0.08
△		Approved By: Tony	Title:		

SGS Report No.: KA/2004/80788/A-2

WW079-M Series

Housing

SOUTH SEA TERMINAL CO., LTD