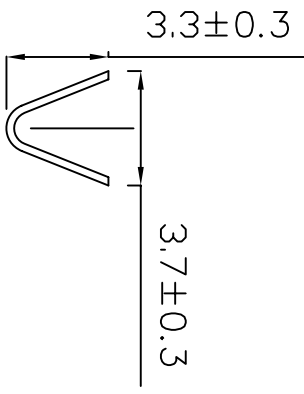


Specifications & Ordering Information:

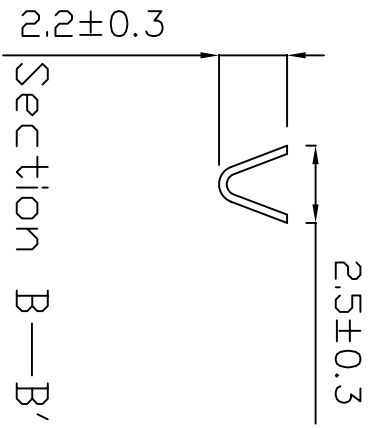
Part No	Thickness	Material	Wire Range	Insulation O.D.	Finish	Qty/reel	Use with
396G2-T	0.25	Brass	AWG #18~24	2.8-1.4 mm	Pre. Tin-Plated	6,000 PCS	

Use in 396G2-HXX, 500G1-HXX, 508G1-HXX, 750G2-HXX, 750-G4-HXX Series housing

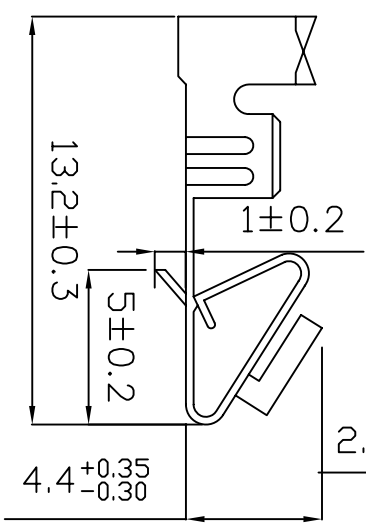
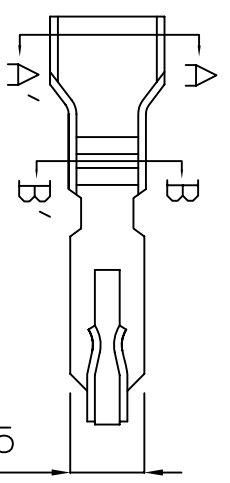
Rev	Description/Date	Drawn By: Storm.li	Customer:	Part No.:	Third angle projection	Units: mm							
△		Checked By: Simmon		396G2-T		X.X ±0.25 X.XX ±0.1 X.XXX ±0.08							
△		Approved By: Tony		Terminal									
SGS Report No.:				SOUTH SEA TERMINAL CO., LTD									
1	2	3	4			5	6	7	8	9	10	11	12



Section A—A'



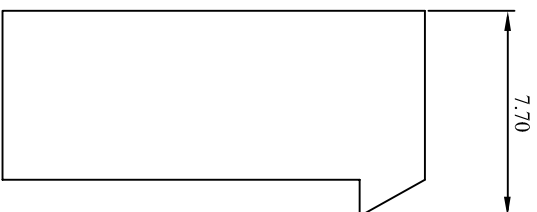
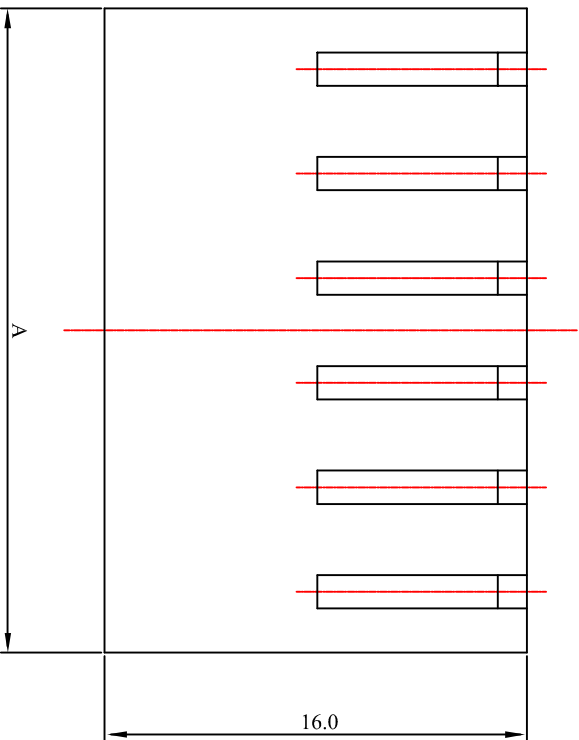
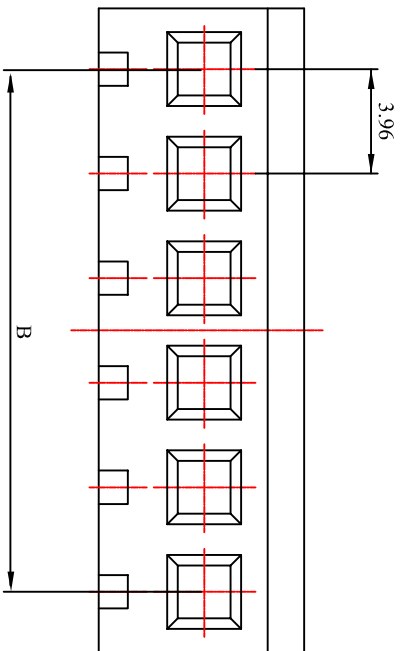
Section B—B'



THICKNESS:0.25mm
 MAT'L:BRASS TIN PLATED
 CURRENT RATING:5A~7A AC,DC
 VOLTAGE RATING:250V AC,DC
 APPLICABLE WIRE RANGE:AWG#18-22
 MATES WITH:396G2-HXX,500G1-HXX,508G1-HXX
 750G2-HXX,750G4-HXX SERIES HOUSING

Rev	Description/Date	Drawn By: Storm.li	Customer:	Third angle projection	Units: mm	X± .X±0.40 .XX±0.30 .XXX±
△	Sample/Sep.7.2006	Checked By:Simmon	Part No.: 396G2-TW	General Dimension Tolerance		
△	SGS Report No.:	Approved By: Tony	Title: 3.96mm(.156") wire to board terminal			

SOUTH SEA TERMINAL CO.,LTD



- Specification**
- Voltage Rating : 250V AC/DC
 - Current Rating : 7A AC/DC
 - Withstanding Voltage : 1,500V AC/minute
 - Insulation Resistance : 1,000M Ω min
 - Temperature Range : -25°C to +85°C
 - Contact Resistance : 20m Ω max

HOUSING

- Part No. : 396G2-HXX
- Poles : 2~15
- Material : Contact : Brass,Tin Plated
Base : Nylon66 UL 94V-2

Poles	Part No.	Dimensions m/m	
		A	B
2	396G2-H02	8.50	3.96
3	396G2-H03	12.46	7.92
4	396G2-H04	16.42	11.88
5	396G2-H05	20.38	15.84
6	396G2-H06	24.34	19.80
7	396G2-H07	28.30	23.76
8	396G2-H08	32.26	27.72
9	396G2-H09	36.22	31.68
10	396G2-H10	40.18	35.64
11	396G2-H11	44.14	39.60
12	396G2-H12	48.10	43.56
13	396G2-H13	52.06	47.52
14	396G2-H14	56.02	51.48
15	396G2-H15	59.98	55.44

Rev Description/Date Drawn By: Storm.li

Checked By: Simmon
Approved By: Tony

Customer:

Part No.:

Title:

396G2-HXX

Housing

Third angle projection



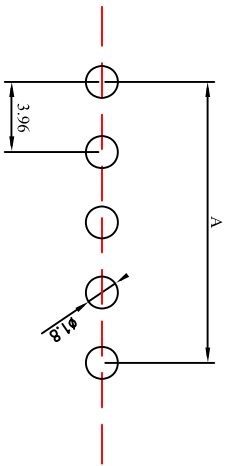
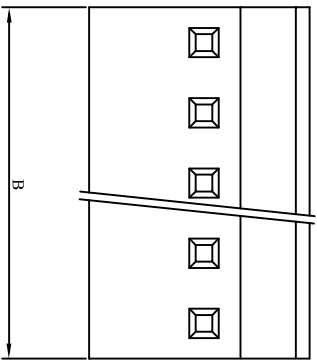
Units: mm

General Dimension Tolerance

X.X ±0.25
X.XX ±0.1
X.XXX ±0.08

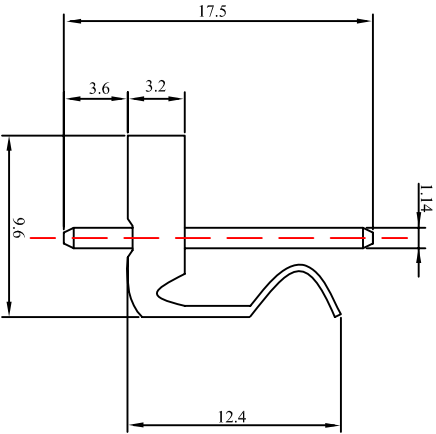
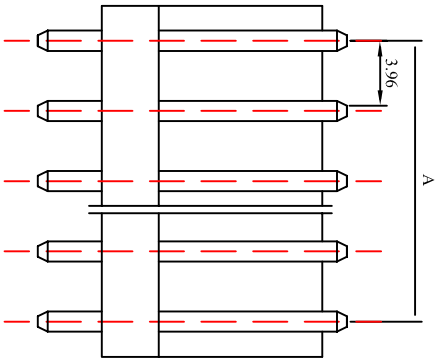
SGS Report No.: CE/2005/63003C

SOUTH SEA TERMINAL CO.,LTD



Recommend P.C. Board Layout

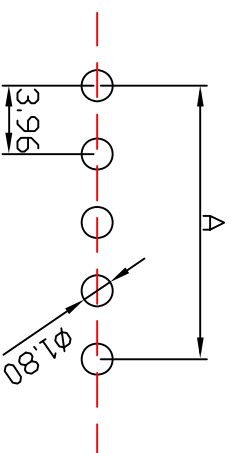
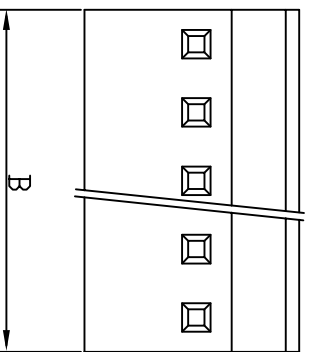
Material: NYLON 66 UL 94V-2
 Pin brass TIN-Plated
 Mate with 396G2-H Housing
 Current rating: 7A AC, DC
 Voltage rating: 250V AC, DC
 Contact resistance: 20m Ω Max
 Insulation resistance: 1000M Ω Min
 Withstanding voltage: 1500V AC/Minute
 Temperature range: -25 $^{\circ}$ C TO +85 $^{\circ}$ C
 SQ Pin size: 1.14mm
 PC Board hole: 1.65mm Dia
 PC Board thickness: 1.6mm



POLES	PART NO.	DIMENSIONS (mm)	
		A	B
2	396G2-W02	3.96	7.92
3	396G2-W03	7.92	11.88
4	396G2-W04	11.88	15.84
5	396G2-W05	15.84	19.80
6	396G2-W06	19.8	23.76
7	396G2-W07	23.76	27.72
8	396G2-W08	27.72	31.68
9	396G2-W09	31.68	35.64
10	396G2-V10	35.64	39.60
11	396G2-V11	39.6	43.56
12	396G2-V12	43.56	47.52
13	396G2-V13	47.52	51.48
14	396G2-V14	51.48	55.44
15	396G2-V15	55.44	59.40

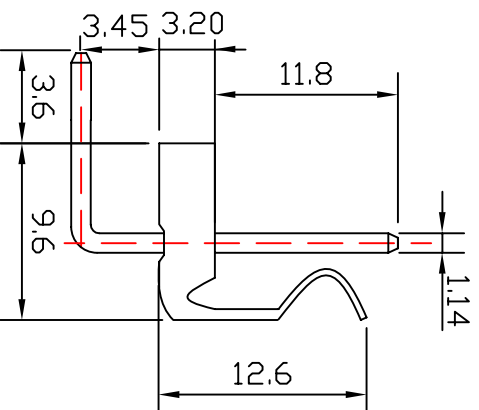
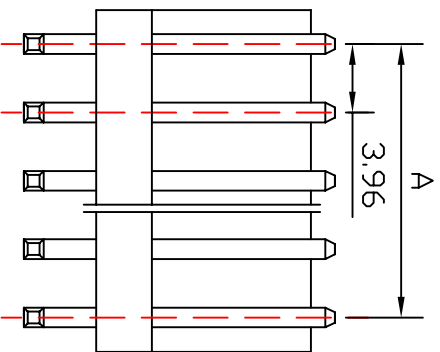
Rev	Description/Date	Drawn By: Storm.li	Customer:	Third angle projection	Units: mm						
△		Checked By: Simmon	Part No.: 396G2-VXX		<table border="1"> <tr> <td>XX</td> <td>XXX</td> <td>XXXX</td> </tr> <tr> <td>±0.25</td> <td>±0.1</td> <td>±0.08</td> </tr> </table>	XX	XXX	XXXX	±0.25	±0.1	±0.08
XX	XXX	XXXX									
±0.25	±0.1	±0.08									
△		Approved By: Tony	Title: Wafer								

SGS Report No.: CE/2005/63003C					<h1 style="text-align: center;">SOUTH SEA TERMINAL CO., LTD</h1>				
--------------------------------	--	--	--	--	--	--	--	--	--



Recommend P.C.Board Layout

Material: NYLON 66 UL 94V-2
 Pin brass TIN-Plated
 Mate with 396G2-H Housing
 Current rating: 7A A.C, DC
 Voltage rating: 250V A.C, DC
 Contact resistance: 20m Ω Max
 Insulation resistance: 1000M Ω Min
 Withstanding voltage: 1500V AC/Minute
 Temperature range: -25 $^{\circ}$ C TO +85 $^{\circ}$ C
 SQ Pin size: 1.14mm
 PC Board hole: 1.65mm Dia
 PC Board thickness: 1.6mm



POLES	PART NO.	DIMENSIONS (mm)	
		A	B
2	396G2-R02	3.96	7.92
3	396G2-R03	7.92	11.88
4	396G2-R04	11.88	15.84
5	396G2-R05	15.84	19.80
6	396G2-R06	19.8	23.76
7	396G2-R07	23.76	27.72
8	396G2-R08	27.72	31.68
9	396G2-R09	31.68	35.64
10	396G2-R10	35.64	39.60
11	396G2-R11	39.6	43.56
12	396G2-R12	43.56	47.52
13	396G2-R13	47.52	51.48
14	396G2-R14	51.48	55.44
15	396G2-R15	55.44	59.40

Rev	Description/Date	Drawn By: Storm.li	Customer:	Third angle projection	Units: mm
△		Checked By: Simmon	Part No.: 396G2-RXX		XX XXX XXXX ± 0.25 ± 0.1 ± 0.08
△		Approved By: Tony	Title: Wafer		

SGS Report No.: CE/2005/63003C					SOUTH SEA TERMINAL CO., LTD								
1	2	3	4	5	6	7	8	9	10	11	12	13	14