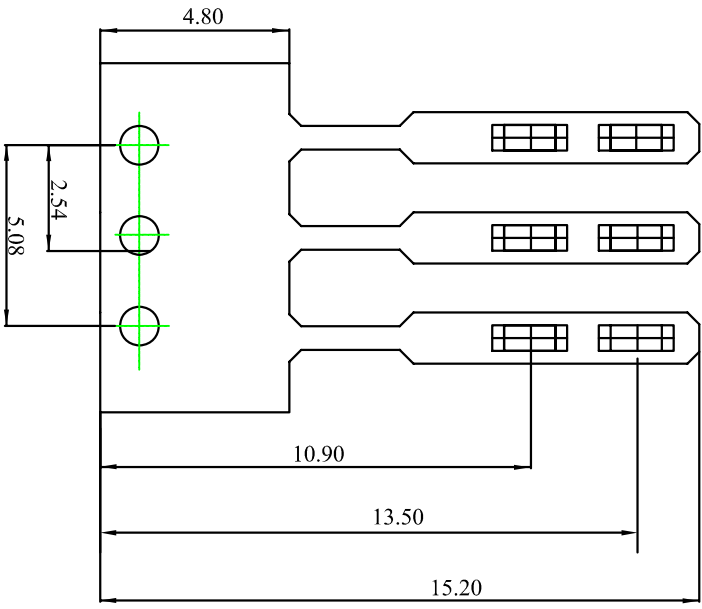


- 1. Suitable for FPC cable
- 2. Material: PHOS/Tin plate
- 3. Packing: 30K/Reel

Rev		Description/Date		Drawn By: Storm.li		Customer:		Third angle projection		Units: mm			
Checked By: Simmon		Approved By: Tony		Part No.: 254G4-FTP		Terminal		General Dimension Tolerance		XX ±0.25 XXX ±0.1 XXXX ±0.08			
SGS Report No.:		Title:		Terminal		SOUTH SEA TERMINAL CO., LTD							
1	2	3	4	5	6	7	8	9	10	11	12	13	14

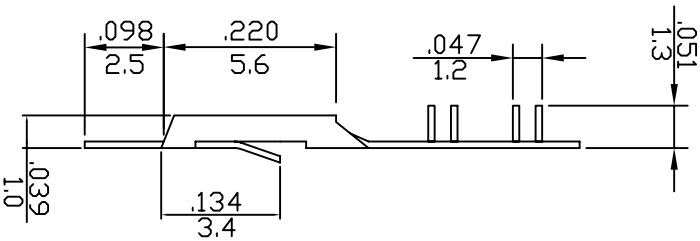
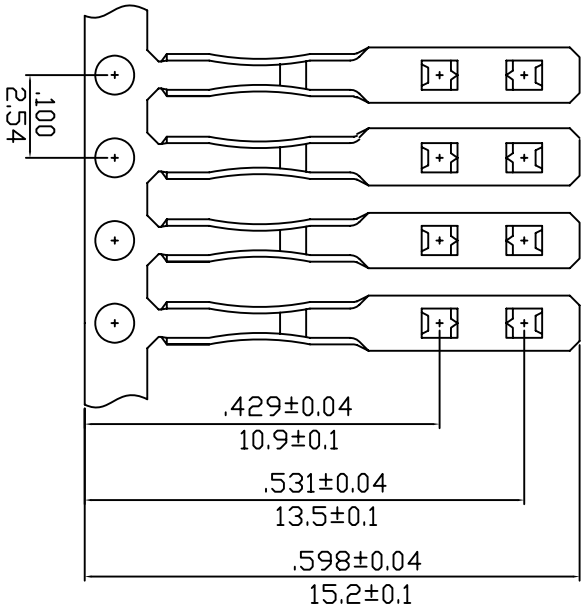


- 1. Suitable for FPC cable
- 2. Material : PHOS/Tin plate
- 3. Packing: 30K/Reel

Rev	Description/Date	Drawn By: Storm.li	Customer:	Third angle projection	Units: mm						
△		Checked By: Simmon	Part No.: 254G4-MTP		<table border="1"> <tr> <td>XX</td> <td>XXX</td> <td>XXXX</td> </tr> <tr> <td>±0.25</td> <td>±0.1</td> <td>±0.08</td> </tr> </table>	XX	XXX	XXXX	±0.25	±0.1	±0.08
XX	XXX	XXXX									
±0.25	±0.1	±0.08									
△		Approved By: Tony	Title: Terminal								
SGS Report No.:											

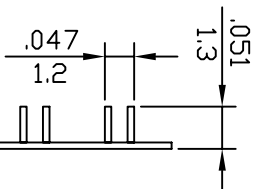
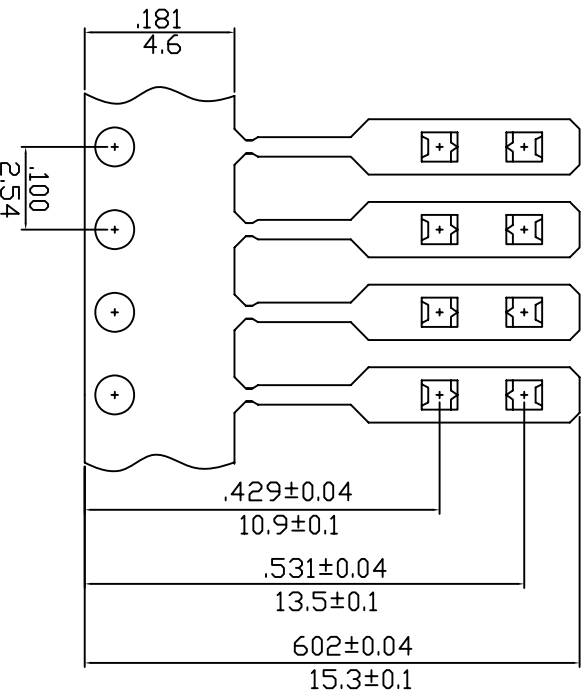
SOUTH SEA TERMINAL CO., LTD

P/N: 254G4-FTP
 Crimp Terminal Female
 Mates 0.64mm square pin.
 Material: Phosphor Bronze
 Finished: Tin Plated
 Reel Quantity: 30,000 pcs.
 Tolerance: ± 0.1 mm



inches
mm

P/N: 254G4-MTP
 Crimp Terminal Male
 Suitable for flexible P.C.B.
 Material: phosphor bronze
 Finished: Tin Plated
 Reel Q'ty: 30,000 pcs



Rev Description/Date

Drawn By: Storm.li

Customer:

Part No.: 254G4-TP

Third angle projection



Units: mm

Checked By: Simmon

Approved By: Tony

Title:

.100"(2.54mm) pitch FFC/FFC crimp terminal

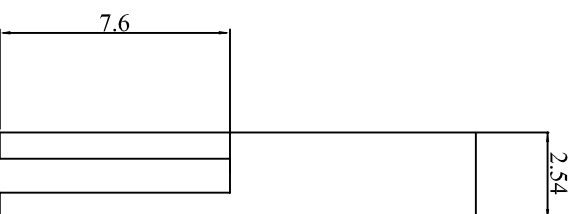
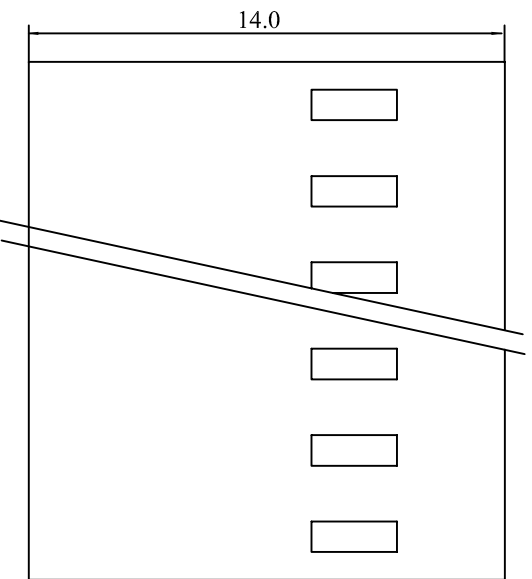
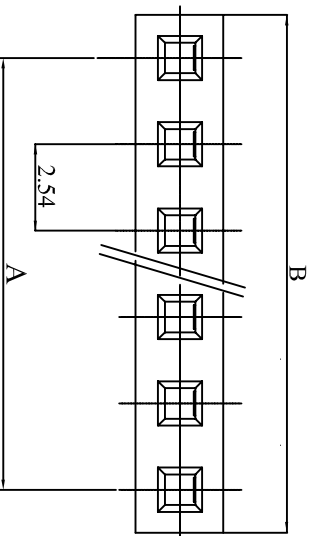
General Dimension Tolerance

xx xxx xxxx

SGS Report No.:

SOUTH SEA TERMINAL CO., LTD

1 2 3 4 5 6 7 8 9 10 11 12 13 14



SPECIFICATIONS

- Voltage Rating : 250V AC/DC
- Current Rating : 3A AC/DC
- Withstanding Voltage : 1000V AC/minute
- Insulation Resistance : 1000MΩ_{min}
- Temperature Range : - 25° C to + 85° C

HOUSING

- Part No. : 254G4-HXX
- Poles: 2-25
- Material : PBT 94V-0 BLACK

Part No	Dimension		Part No	Dimension	
	A	B		A	B
254G4-H02	2.54	5.08	254G4-H14	33.02	35.56
254G4-H03	5.08	7.62	254G4-H15	35.56	38.10
254G4-H04	7.62	10.16	254G4-H16	38.10	40.64
254G4-H05	10.16	12.70	254G4-H17	40.64	43.18
254G4-H06	12.70	15.24	254G4-H18	43.18	45.72
254G4-H07	15.24	17.78	254G4-H19	45.72	48.26
254G4-H08	17.78	20.32	254G4-H20	48.26	50.80
254G4-H09	20.32	22.86	254G4-H21	50.80	53.34
254G4-H10	22.86	25.40	254G4-H22	53.34	55.88
254G4-H11	25.40	27.94	254G4-H23	55.88	58.42
254G4-H12	27.94	30.48	254G4-H24	58.42	60.96
254G4-H13	30.48	33.02	254G4-H25	60.96	63.50

Rev	Description/Date	Drawn By: Storm.li	Customer:
△		Checked By: Simmon	Part No.: 254G4-HXX
△		Approved By: Tony	Title: Housing
SGS Report No.:			
1	2	3	4
5	6	7	8
9	10	11	12
13	14		

Third angle projection

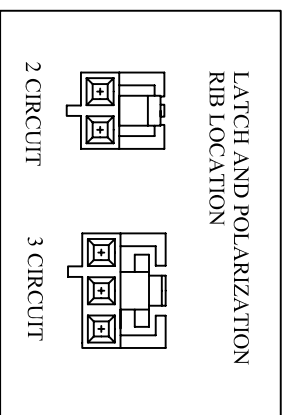
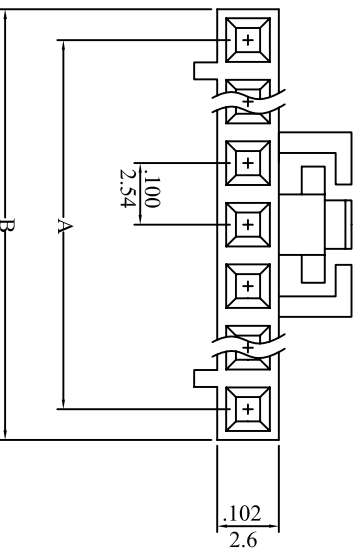


Units:
mm

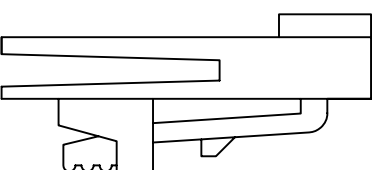
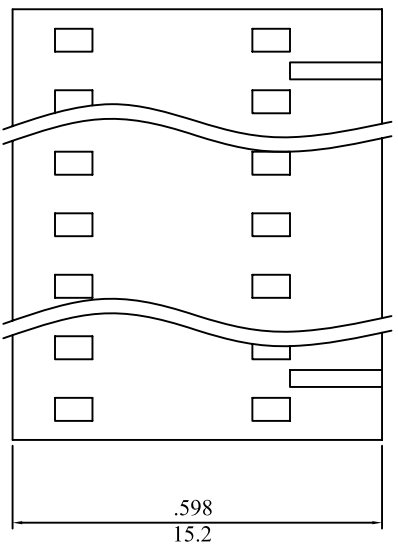
General Dimension Tolerance

X.X	X.XX	X.XXX
+0.25	+0.1	+0.08

SOUTH SEA TERMINAL CO., LTD



- 254G4-HXXL Series**
- * Poles: 2-25
 - * Material: PBT UL94V-0, BLACK
 - * Suitable 254G4-T series terminal
- Specifications**
- * Current rating: 2.5A AC, DC
 - * Voltage rating: 250V AC, DC
 - * Temperature range: -25°C~+85°C
 - * Insulation resistance: 1,000MΩ min.
 - * Withstand voltage: 800V AC/minute



CIRCUITS	PART NO.	DIMENSION in.(mm)	
		A	B
2	254G4-H02L	0.100(2.54)	0.205(5.2)
3	254G4-H03L	0.200(5.08)	0.307(7.8)
4	254G4-H04L	0.300(7.62)	0.406(10.3)
5	254G4-H05L	0.400(10.16)	0.508(12.9)
6	254G4-H06L	0.500(12.70)	0.606(15.4)
7	254G4-H07L	0.600(15.24)	0.709(18.0)
8	254G4-H08L	0.700(17.78)	0.807(20.5)
9	254G4-H09L	0.800(20.32)	0.909(23.1)
10	254G4-H10L	0.900(22.86)	1.008(25.6)
11	254G4-H11L	1.000(25.40)	1.106(28.1)
12	254G4-H12L	1.100(27.94)	1.209(30.7)
13	254G4-H13L	1.200(30.48)	1.307(33.2)
14	254G4-H14L	1.300(33.02)	1.409(35.8)
15	254G4-H15L	1.400(35.54)	1.508(38.3)
16	254G4-H16L	1.500(38.10)	1.610(40.9)
17	254G4-H17L	1.600(40.64)	1.709(43.4)
18	254G4-H18L	1.700(43.18)	1.811(46.0)
19	254G4-H19L	1.800(45.72)	1.909(48.5)
20	254G4-H20L	1.900(48.26)	2.012(51.1)
21	254G4-H21L	2.000(50.80)	2.110(53.6)
22	254G4-H22L	2.100(53.34)	2.213(56.2)
23	254G4-H23L	2.200(55.88)	2.311(58.7)
24	254G4-H24L	2.300(58.42)	2.409(61.2)
25	254G4-H25L	2.400(60.96)	2.512(63.8)

Rev	Description/Date	Drawn By: Storm.li	Customer:	Third angle projection	Units: Inches/mm
△		Checked By: Simmon	Part No.: 254G4-HXXL	General Dimension Tolerance	TOLERANCE XXX.XX/10 XX.XX/25
△		Approved By: Tony	Title: .100"(2.54mm) pitch FFC/FPC Housing Connectors		
SGS Report No.:			SOUTH SEA TERMINAL CO.,LTD		