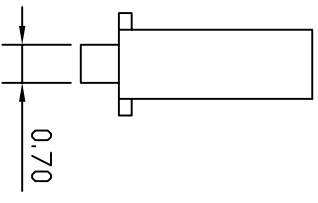
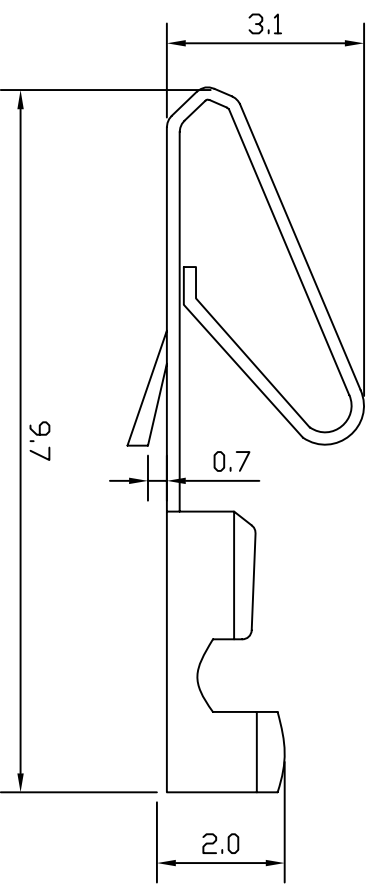
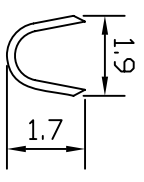
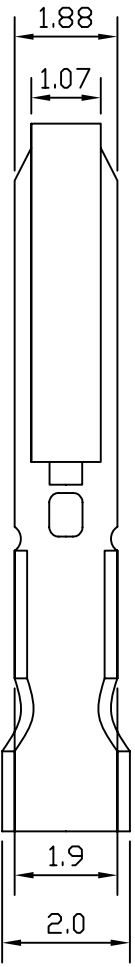
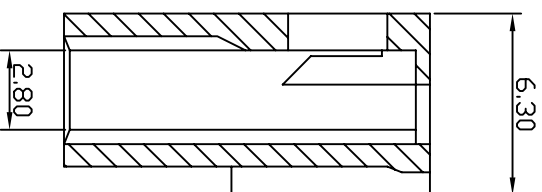
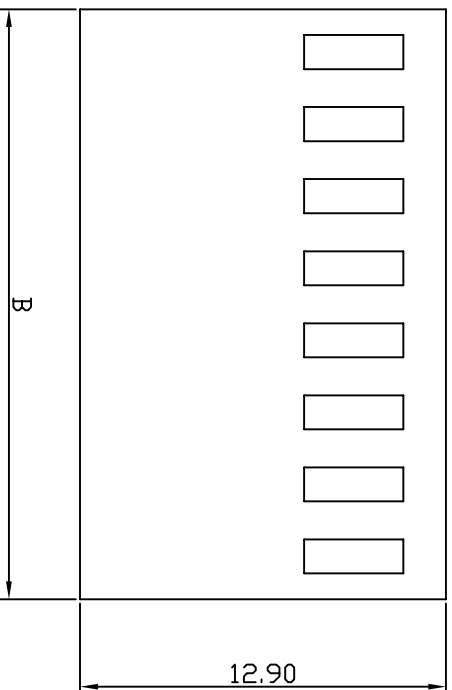
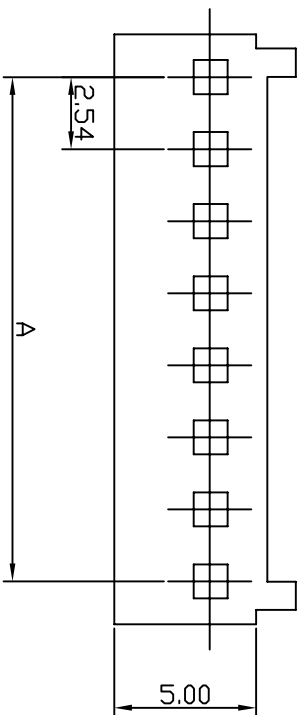


Material: Brass /Brass
 Thickness:0. 2mm
 Plating: Tin-plated
 Wire Range: Suitable for AWG#22~28
 Insulation O.D:1.9mm (max)
 QTY:10000 pcs/reel
 Accepts housing: 254G1-HXX



1	2	3	4	5	6	7	8	9	10	11	12	13	14
Rev		Description/Date		Drawn By: Storm.li		Customer:		Third angle projection		Units: mm			
△				Checked By:Simmon		Part No.: 254G1-T		General Dimension Tolerance		X.X ±0.50		X.XX ±0.10	
△				Approved By: Tony		Title: 2.54 mm Wire to Board Terminal		SOUTH SEA TERMINAL CO.,LTD		X.XXX ±0.08			
SGS Report No.:													

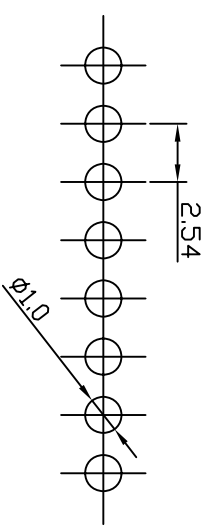
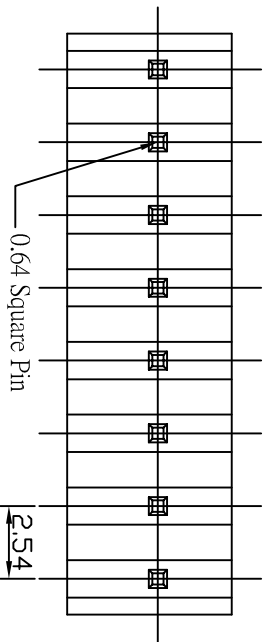
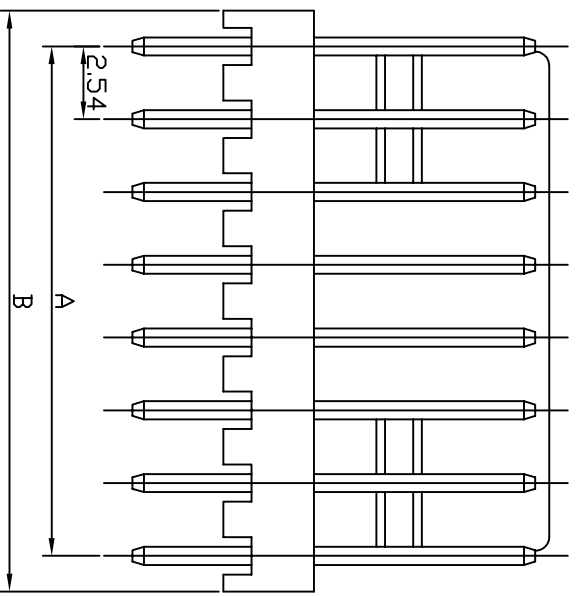
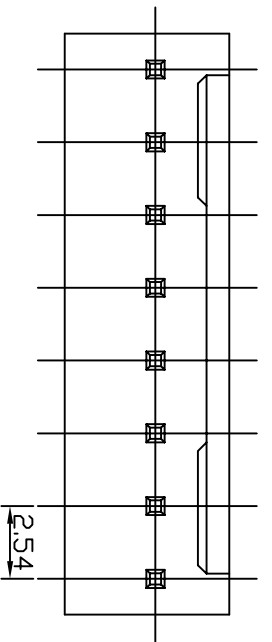


Specifications

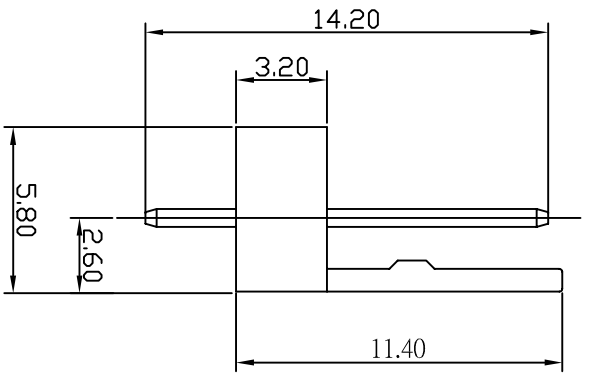
Current Rating: 3A AC, DC
 Voltage Rating: 250 AC Maximum
 Operating Temp: -25°C ~ + 85°C
 Contact Resistance: 20MΩ Max
 Insulation Resistance: 1000MΩ Min
 Terminal Material: Brass/Tin-plated/ Gold-plated
 Material: Nylon 66, UL94V-2

Poles	Dimension mm (in.)		Part No.
	A	B	
2	2.54 (0.100)	5.64 (0.222)	254G1-H02
3	5.08 (0.200)	8.16 (0.321)	254G1-H03
4	7.62 (0.300)	10.72 (0.422)	254G1-H04
5	10.16 (0.400)	13.30 (0.524)	254G1-H05
6	12.70 (0.500)	15.78 (0.621)	254G1-H06
7	15.24 (0.600)	18.40 (0.724)	254G1-H07
8	17.78 (0.700)	20.80 (0.819)	254G1-H08
9	20.32 (0.800)	23.50 (0.925)	254G1-H09
10	22.86 (0.900)	26.00 (1.024)	254G1-H10
11	25.40 (1.000)	28.50 (1.122)	254G1-H11
12	27.94 (1.100)	31.00 (1.220)	254G1-H12
13	30.48 (1.200)	33.50 (1.319)	254G1-H13
14	32.02 (1.300)	36.00 (1.417)	254G1-H14
15	35.56 (1.400)	38.50 (1.516)	254G1-H15
16	38.10 (1.500)	41.20 (1.622)	254G1-H16
17	40.64 (1.600)	43.60 (1.717)	254G1-H17
18	43.18 (1.700)	46.32 (1.824)	254G1-H18
19	45.72 (1.800)	48.80 (1.921)	254G1-H19
20	48.26 (1.900)	51.34 (2.021)	254G1-H20

Rev	Description/Date	Drawn By: Storm.li	Customer:	Third angle projection	Units: mm
△		Checked By: Simmon	Part No.:	General Dimension Tolerance	X.X X.XX X.XXX ±0.50 ±0.10 ±0.08
△		Approved By: Tony	Title:	SOUTH SEA TERMINAL CO., LTD	
SGS Report No.: CE/2005/62993D					



RECOMMENDED P.C. BOARD HOLE DIMM.



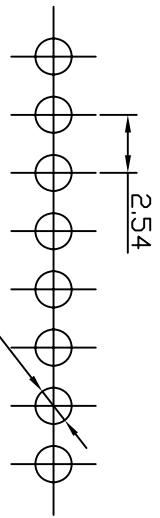
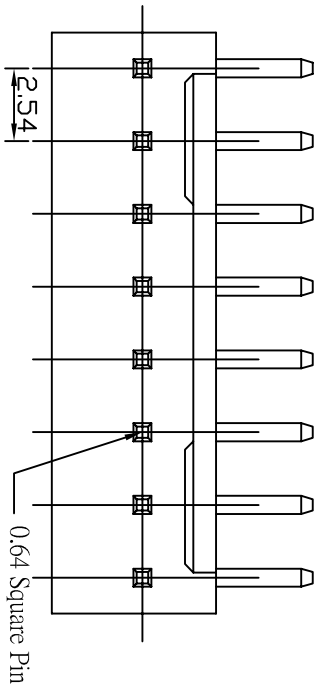
Specifications

Current Rating: 2A AC, DC
 Voltage Rating: 250 AC Maximum
 Operating Temp: -25°C ~ + 85°C
 Contact Resistance: 10MΩ Max
 Insulation Resistance: 1000MΩ Min
 Terminal Material: Brass/ Tin-plated/ Gold-plated
 Material: Nylon 66, UL94V-2

Poles	Dimension mm (in.)		Part No.
	A	B	
2	2.54(0.100)	5.12(0.202)	254G1-V02
3	5.08(0.200)	7.66(0.302)	254G1-V03
4	7.62(0.300)	10.20(0.402)	254G1-V04
5	10.16(0.400)	12.74(0.502)	254G1-V05
6	12.70(0.500)	15.30(0.602)	254G1-V06
7	15.24(0.600)	17.94(0.706)	254G1-V07
8	17.78(0.700)	20.48(0.806)	254G1-V08
9	20.32(0.800)	23.02(0.906)	254G1-V09
10	22.86(0.900)	25.58(1.007)	254G1-V10
11	25.40(1.000)	28.12(1.107)	254G1-V11
12	27.94(1.100)	30.68(1.208)	254G1-V12
13	30.48(1.200)	33.10(1.303)	254G1-V13
14	33.02(1.300)	35.80(1.409)	254G1-V14
15	35.56(1.400)	38.34(1.509)	254G1-V15
16	38.10(1.500)	40.94(1.612)	254G1-V16
17	40.64(1.600)	43.30(1.705)	254G1-V17
18	43.18(1.700)	45.90(1.807)	254G1-V18
19	45.72(1.800)	48.56(1.912)	254G1-V19
20	48.26(1.900)	50.80(2.000)	254G1-V20

Rev	Description/Date	Drawn By: Storm.li	Customer:	Third angle projection	Units: mm
△		Checked By: Simmon	Part No.: 254G1-VXX	General Dimension Tolerance	X.X ±0.50 X.XX ±0.10 X.XXX ±0.08
△		Approved By: Tony	Title: 2.54 mm Wire to Board Header DIP 180° Type		
SGS Report No.:CE/2005/62993D					

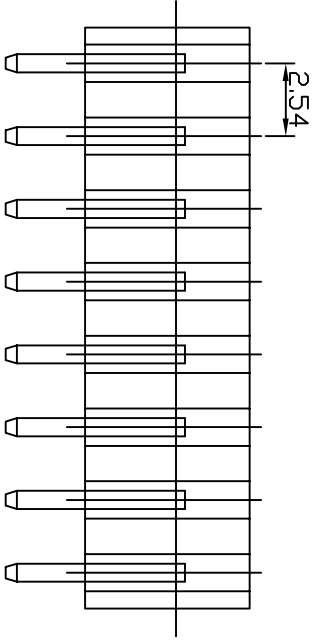
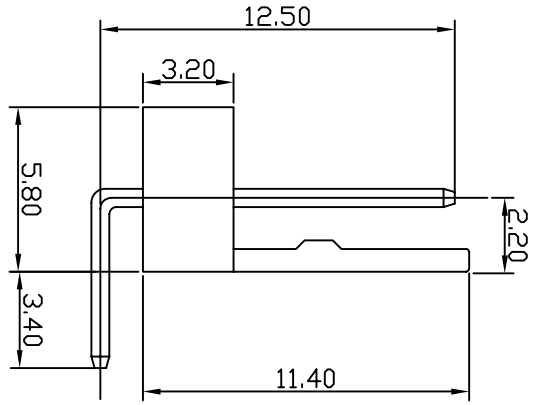
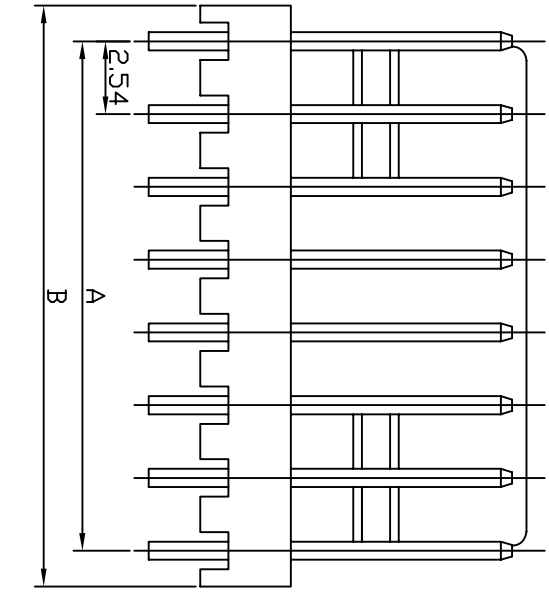
SOUTH SEA TERMINAL CO., LTD



RECOMMENDED P.C. BOARD HOLE DIM.

Specifications

Current Rating: 2A AC, DC
 Voltage Rating: 250 AC Maximum
 Operating Temp: -25°C ~ +85°C
 Contact Resistance: 10MΩ Max
 Insulation Resistance: 1000MΩ Min
 Terminal Material: Brass/ Tin-plated/ Gold-plated
 Material: Nylon 66, UL94V-2



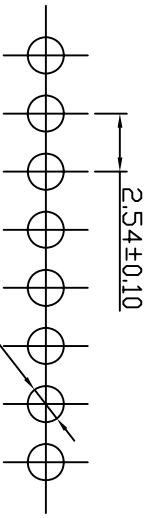
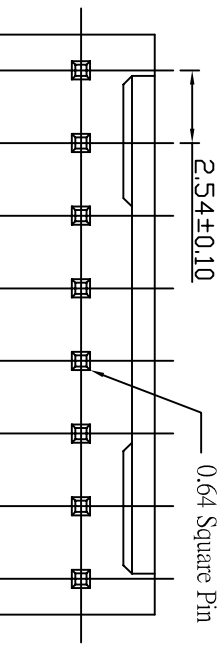
Poles	Dimension mm (in.)		Part No.
	A	B	
2	2.54(0.100)	5.12(0.202)	254G1-R02
3	5.08(0.200)	7.66(0.302)	254G1-R03
4	7.62(0.300)	10.20(0.402)	254G1-R04
5	10.16(0.400)	12.74(0.502)	254G1-R05
6	12.70(0.500)	15.30(0.602)	254G1-R06
7	15.24(0.600)	17.94(0.706)	254G1-R07
8	17.78(0.700)	20.48(0.806)	254G1-R08
9	20.32(0.800)	23.02(0.906)	254G1-R09
10	22.86(0.900)	25.58(1.007)	254G1-R10
11	25.40(1.000)	28.12(1.107)	254G1-R11
12	27.94(1.100)	30.68(1.208)	254G1-R12
13	30.48(1.200)	33.10(1.303)	254G1-R13
14	33.02(1.300)	35.80(1.409)	254G1-R14
15	35.56(1.400)	38.34(1.509)	254G1-R15
16	38.10(1.500)	40.94(1.612)	254G1-R16
17	40.64(1.600)	43.30(1.705)	254G1-R17
18	43.18(1.700)	45.90(1.807)	254G1-R18
19	45.72(1.800)	48.56(1.912)	254G1-R19
20	48.26(1.900)	50.80(2.000)	254G1-R20

Rev	Description/Date	Drawn By: Storm.li	Customer:	Third angle projection	Units: mm
△		Checked By: Simmon	Part No.: 254G1-RXX	General Dimension Tolerance	X.X ±0.50 X.XX ±0.10 XXXX ±0.08
△		Approved By: Tony	Title: 2.54 mm Wire to Board Header DIP 90° Type	SOUTH SEA TERMINAL CO., LTD	
1	2	3	4	5	6
1	2	3	4	5	6

1 2 3 4 5 6 7 8 9 10 11 12 13 14

I H G F E D C B A

REVISION		DATE
REV.	DESCRIPTION	



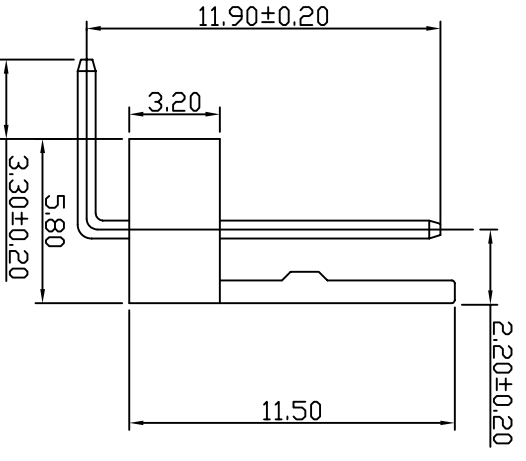
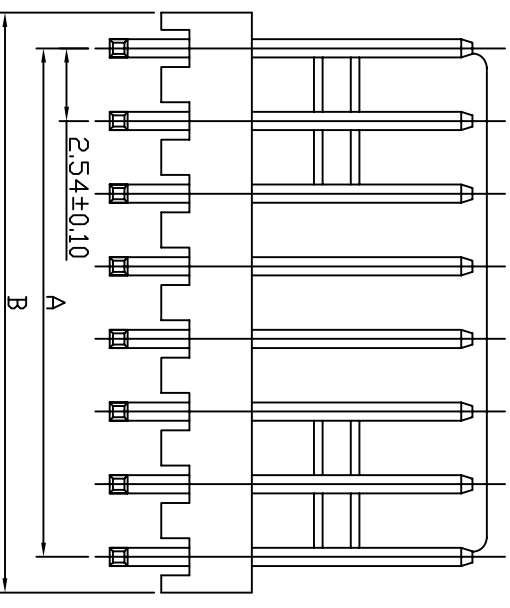
RECOMMENDED P.C BOARD HOLE DIMM.

FEATURES AND SPECIFICATIONS

Features and Benefits
 Size 2 to 20 circuits
 Electrical
 Current Rating: 2A AC, DC
 Voltage Rating: 250V AC/max.
 Insulation Resistance: 1000MΩ/min.
 Dielectric Withstanding Voltage: 1500V AC/min.
 Contact Resistance: 10mΩ/ max.
 Operating Temp.: -25 C ~ +85 C

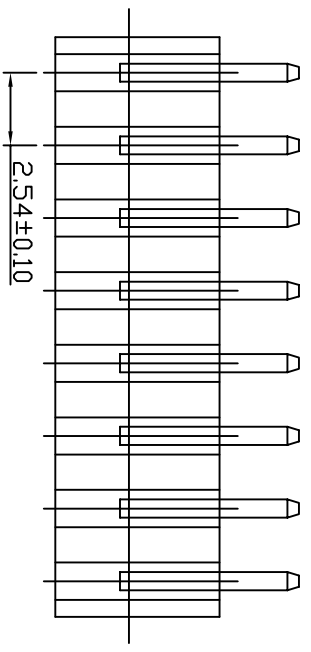
Physical

Material: Nylon 66, UL94V-2
 Terminal Material: Brass/ Tin-plated/ Gold-plated
 Reference Information
 Packing: Bag
 Mated Housing: 0201LXX0001
 Mated Terminal: 030100001001



註：
 2P~9P公差值為±0.20
 10P~20P公差值為±0.30

Poles	Part No.	Dimension mm (in.)	
		A	B
2	254G1-R02R	2.54(0.100)	5.12(0.202)
3	254G1-R03R	5.08(0.200)	7.66(0.302)
4	254G1-R04R	7.62(0.300)	10.20(0.402)
5	254G1-R05R	10.16(0.400)	12.74(0.502)
6	254G1-R06R	12.70(0.500)	15.30(0.602)
7	254G1-R07R	15.24(0.600)	17.94(0.706)
8	254G1-R08R	17.78(0.700)	20.48(0.806)
9	254G1-R09R	20.32(0.800)	23.02(0.906)
10	254G1-R10R	22.86(0.900)	25.58(1.007)
11	254G1-R11R	25.40(1.000)	28.12(1.107)
12	254G1-R12R	27.94(1.100)	30.68(1.208)
13	254G1-R13R	30.48(1.200)	33.10(1.303)
14	254G1-R14R	33.02(1.300)	35.80(1.409)
15	254G1-R15R	35.56(1.400)	38.34(1.509)
16	254G1-R16R	38.10(1.500)	40.94(1.612)
17	254G1-R17R	40.64(1.600)	43.30(1.705)
18	254G1-R18R	43.18(1.700)	45.90(1.807)
20	254G1-R20R	48.26(1.900)	50.80(2.000)



GENERAL DIMENSION	TOLERANCE	XX	X.XX	X.XXX
		±0.5	±0.1	±0.08

DRAWN BY: Storm.LI CUSTOMER: THIRD ANGLE PROJECTION UNITS: mm

HEKED BY: Simmon Zhang Title: 2.54 mm Wire to Board Header DIP 90° Type

APPROVED BY: Tony hou P/N/O: 254G1-RXXX SOUTH SEA TERMINAL O.,LTD