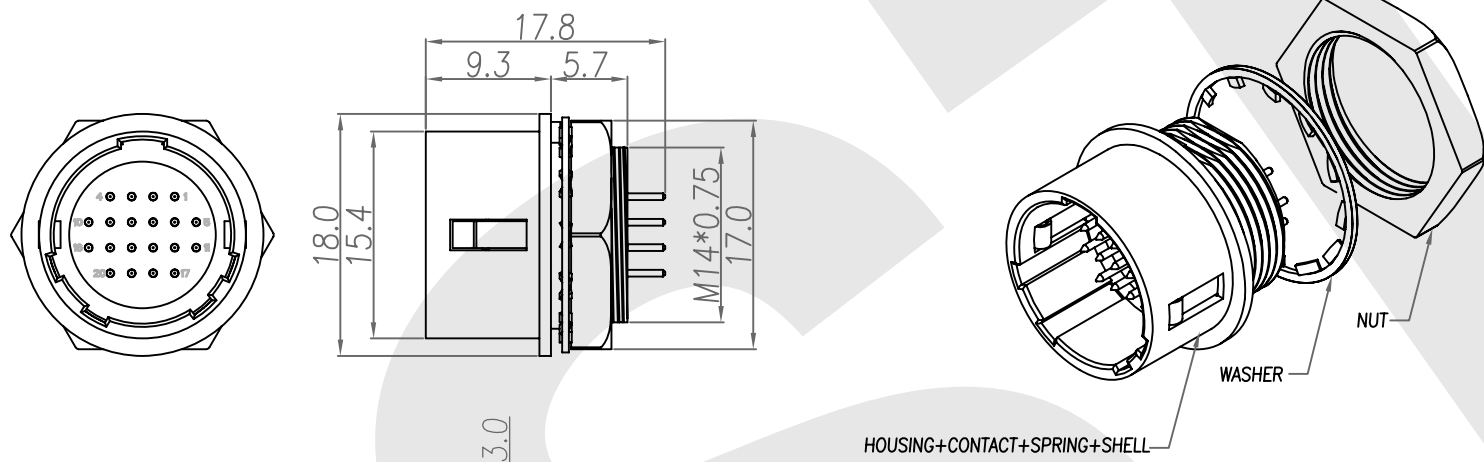
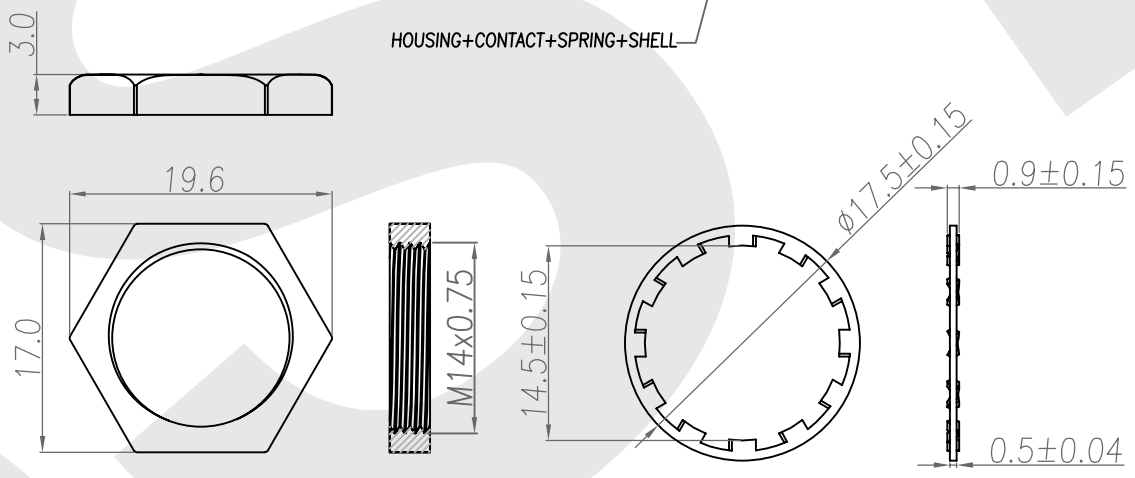


Rev	Revisions	Rev.Drawn	Date
A		Du	18.FEB.2013



1. MATERIAL :
- 1-1. HOUSING : NYLON46 UL94V-0; COLOR : BLACK
  - 1-2. CONTACT : BRASS
  - 1-3. SHELL : ZINC ALLOY
  - 1-4. SPRING : STAINLESS STEEL
  - 1-5. WASHER : PHOSPHOR BRONZE
  - 1-6. NUT : BRASS
2. FINISH :
- 2-1. CONTACT : GOLD FLASH
  - 2-2. SHELL : NICKEL
  - 2-3. WASHER : NICKEL
  - 2-4. NUT : NICKEL



3. ORDERING INFORMATION : P-P(PUSH PULL) CONNECTOR

Series ST4A-14BR-20P-D

Dimension of inner thread=M14

Poles: P: Plug, S: Solder type

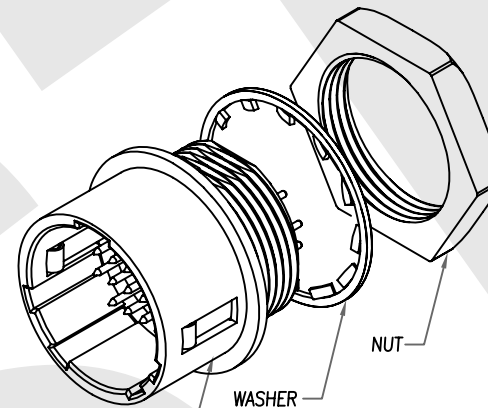
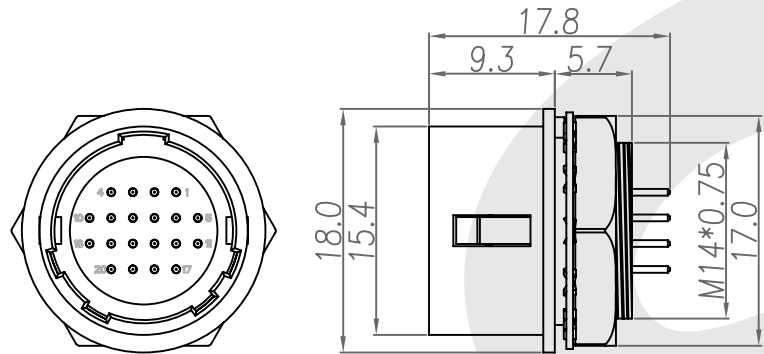
WR: Wire Receptacle, BR: Panel / Case Receptacle

D: Dip type, S: Solder type

P: Male contact, S: Female contact

SGS Report No.:		<b>SST</b> SOUTH SEA TERMINAL CO.,LTD			Part No.:		
		Customer:			ST4A-14BR-20P-D		
Title:		P-P CONN. Panel / Case Receptacle Dip Type (M)				TOLERANCE:	
(SHELL SIZE 13mm)		SCALE SHEET REV. DWG NO.:				.x ±0.20	
Drawn By: Storm.Li		1:1 1/2 A		QC5837		.xx ±0.15	
Checked By: du		Thire angle Projection				.xxx ±0.05	
Approved By: Tony		General Dimesion Tolerance				.xxxx ±0.03	
		Units		mm		ANGULA ±1°	

Rev	Revisions	Rev.Drawn	Date
A		Du	18.FEB.2013



HOUSING+CONTACT+SPRING+SHELL

1. MATERIAL :
  - 1-1. HOUSING : NYLON46 UL94V-0; COLOR : BLACK
  - 1-2. CONTACT : BRASS
  - 1-3. SHELL : ZINC ALLOY
  - 1-4. SPRING : STAINLESS STEEL
  - 1-5. WASHER : PHOSPHOR BRONZE
  - 1-6. NUT : BRASS
2. FINISH :
  - 2-1. CONTACT : GOLD FLASH
  - 2-2. SHELL : NICKEL
  - 2-3. WASHER : NICKEL
  - 2-4. NUT : NICKEL

**SST** SOUTH SEA TERMINAL CO.,LTD

SGS Report No.:	Customer:	Part No.:
		ST4A-14BR-20P-D
Title: P-P CONN. Panel / Case Receptacle Dip Type (M) (SHELL SIZE 13mm)		
Drawn By: Storm.Li	SCALE	SHEET
Checked By: du	1:1	2/2
Approved By: Tony	REV.	A
	DWG NO.:	QC5837
	Third angle Projection	Units
	General Dimension Tolerance	mm
	TOLERANCE:	
	.x	±0.20
	.xx	±0.15
	.xxx	±0.05
	.xxxx	±0.03
	ANGULA	±1°