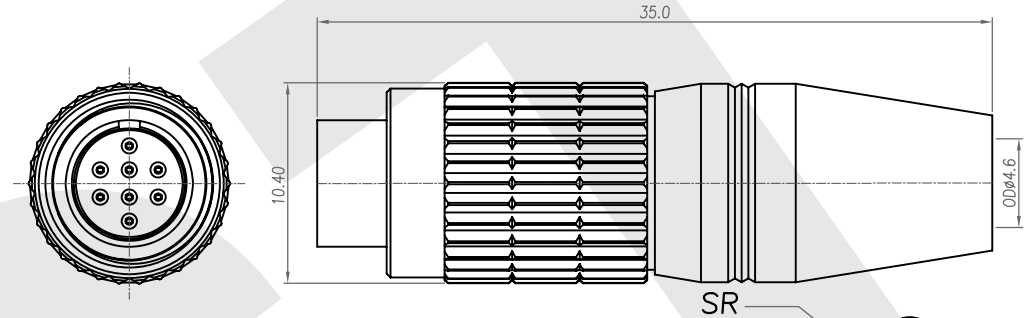
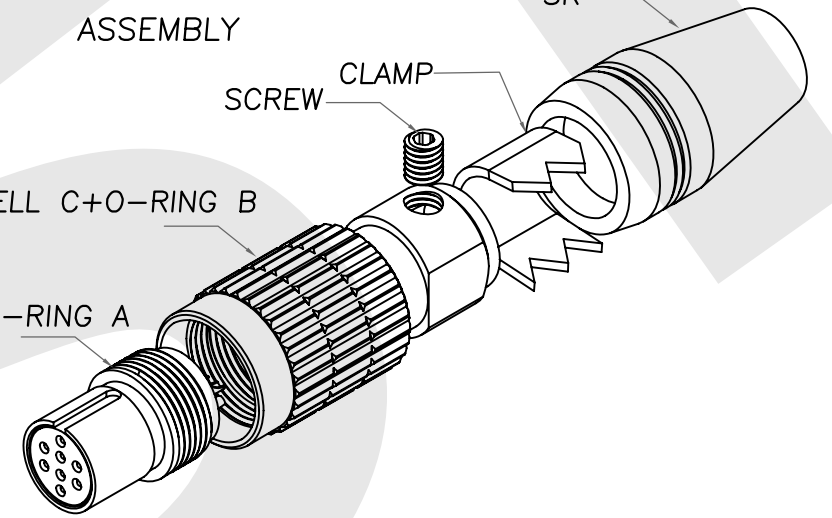


Rev	Revisions	Rev.Drawn	Date
A		Du	21.DEC.2011

1. MATERIAL :
- 1-1. HOUSING : NYLON 46 UL94V-0 ; COLOR : BLACK
  - 1-2. CONTACT : PHOSPHOR BRONZE
  - 1-3. SHELL A : Zinc Alloy
  - 1-4. SHELL B : BRASS
  - 1-5. SHELL C : BRASS
  - 1-6. O-RING A : EPDM; COLOR : BLACK
  - 1-7. O-RING B : NBR; COLOR : BLACK
  - 1-8. SPRING : STAINLESS
  - 1-9. SCREW : ALLOY STEEL
  - 1-10. SR : TPR
2. FINISH :
- 2-1. CONTACT A : 5 MICRO INCHES MIN. GOLD PLATED
  - 2-2. SHELL A : NICKEL PLATED 60u" ~ 100u" OVER ALL
  - 2-3. SHELL B : NICKEL PLATED 60u" ~ 100u" OVER ALL
  - 2-3. SHELL C : NICKEL PLATED 60u" ~ 100u" OVER ALL

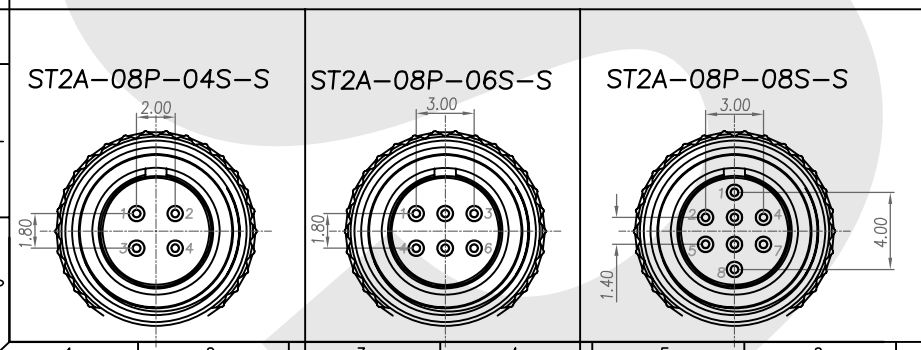


ASSEMBLY



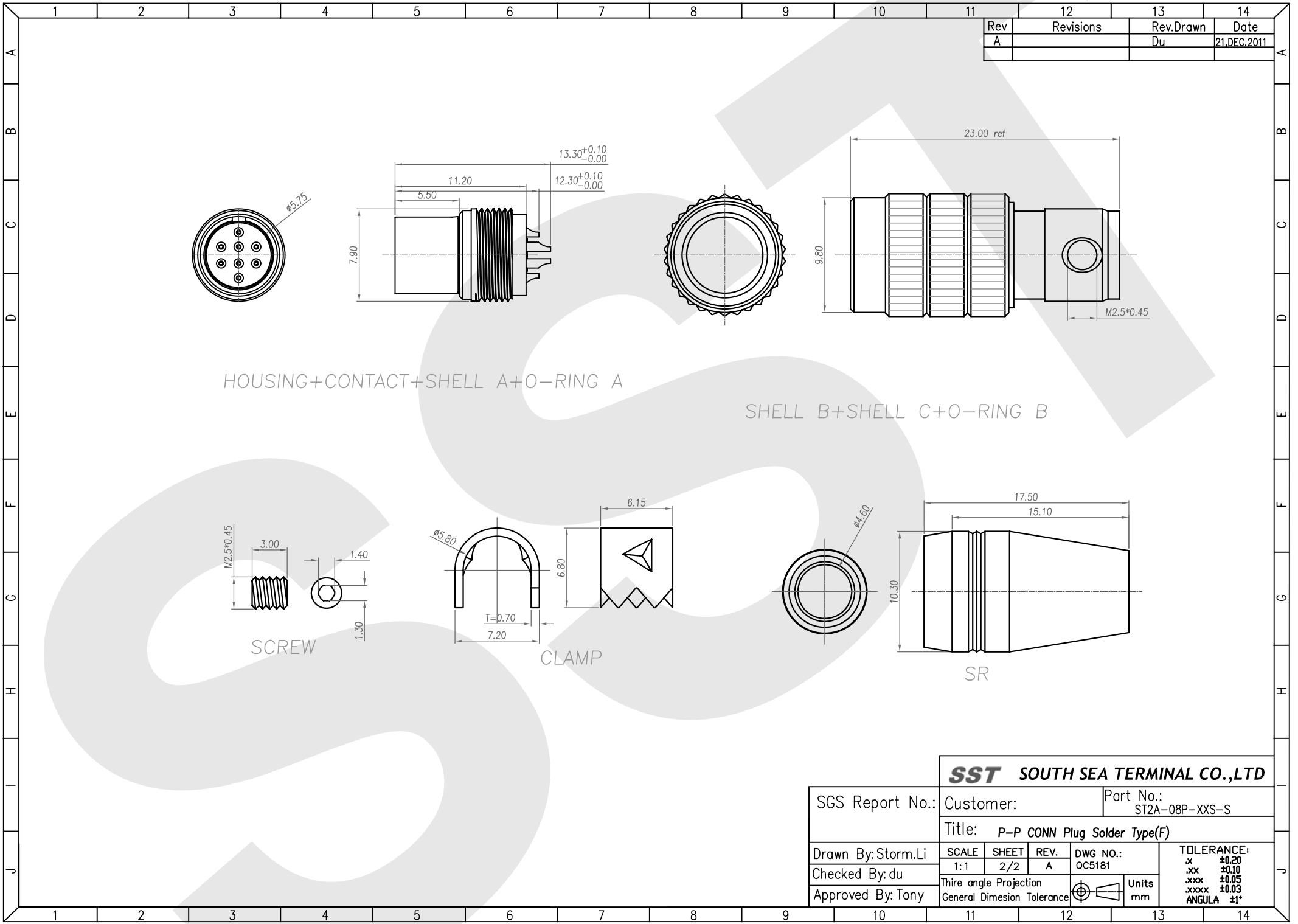
3. ORDERING INFORMATION : P-P(PUSH PULL) CONNECTOR

Series ST2A-08 P-XXS-S D: Dip type  
 Dimension of inner thread=M8 Poles P: Male contact S: Solder type  
 P: Plug S: Female contact  
 WR: Wire Receptacle  
 BR: Panel / Case Receptacle



**SST SOUTH SEA TERMINAL CO.,LTD**

SGS Report No.:	Customer:	Part No.:
		ST2A-08P-XXS-S
Title: P-P CONN Plug Solder Type(F)		
Drawn By: Storm.Li	SCALE	SHEET
Checked By: du	1:1	1/2
Approved By: Tony	REV. A	DWG NO.: QC5181
Thire angle Projection		Units mm
General Dimesion Tolerance		
TOLERANCE:		
.x ±0.20		
.xx ±0.10		
.xxx ±0.05		
.xxxx ±0.03		
ANGULA ±1°		



Rev	Revisions	Rev.Drawn	Date
A		Du	21.DEC.2011

HOUSING+CONTACT+SHELL A+O-RING A

SHELL B+SHELL C+O-RING B

SCREW

CLAMP

SR

**SST SOUTH SEA TERMINAL CO.,LTD**

SGS Report No.:	Customer:	Part No.:
		ST2A-08P-XXS-S
Title: P-P CONN Plug Solder Type(F)		
Drawn By: Storm.Li	SCALE: 1:1	SHEET: 2/2
Checked By: du	REV: A	DWG NO.: QC5181
Approved By: Tony	Thire angle Projection	General Dimesion Tolerance
	Units: mm	TOLERANCE: x ±0.20 xx ±0.10 xxx ±0.05 xxxx ±0.03 ANGULA ±1°