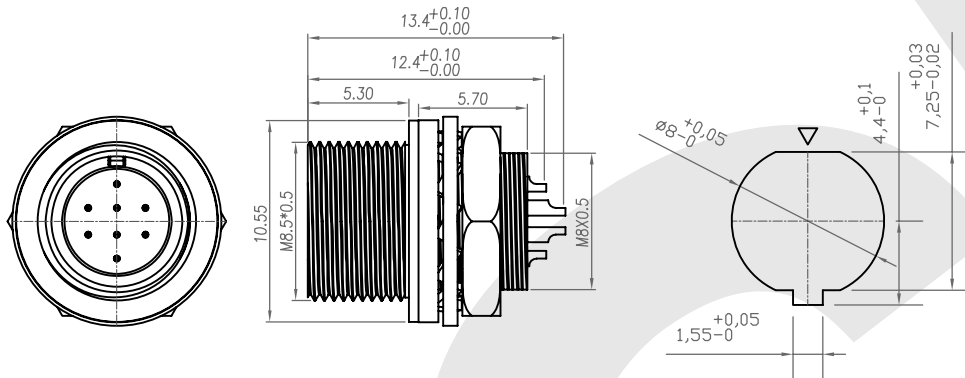
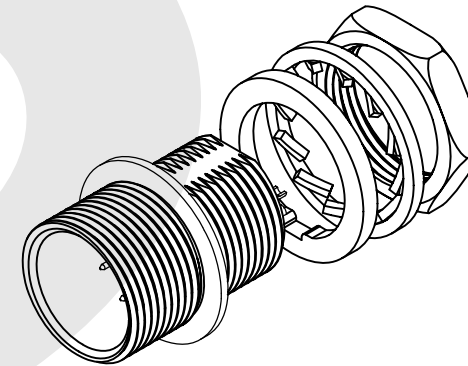


Rev	Revisions	Rev.Drawn	Date
A		Du	21.DEC.2011



RECOMMEND PANEL CUT-OUT

- MATERIAL :
 - HOUSING : NYLON 46 ; COLOR : BLACK
 - CONTACT : PHOSPHOR BRONZE
 - SHELL : Zinc Alloy
 - NUT : BRASS
 - O-RING : EPDM; COLOR : BLACK
 - WASHER : BRASS
- FINISH :
 - CONTACT : GOLD 10u"
UNDER PLATE : NICKEL
 - SHELL : NICKEL PLATED .
 - NUT : NICKEL PLATED.



3. ORDERING INFORMATION : P-P(PUSH PULL) CONNECTOR

Series ST2A-08BR-XXP-S

Dimension of inner thread=M8

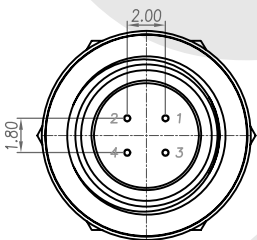
Poles: P: Plug, S: Solder type

WR: Wire Receptacle, BR: Panel / Case Receptacle

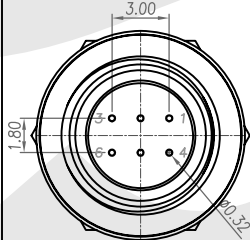
D: Dip type, S: Solder type

P: Male contact, S: Female contact

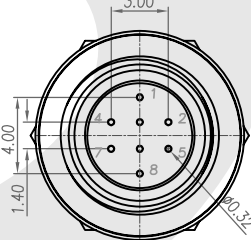
ST2A-08BR-04P-S



ST2A-08BR-06P-S

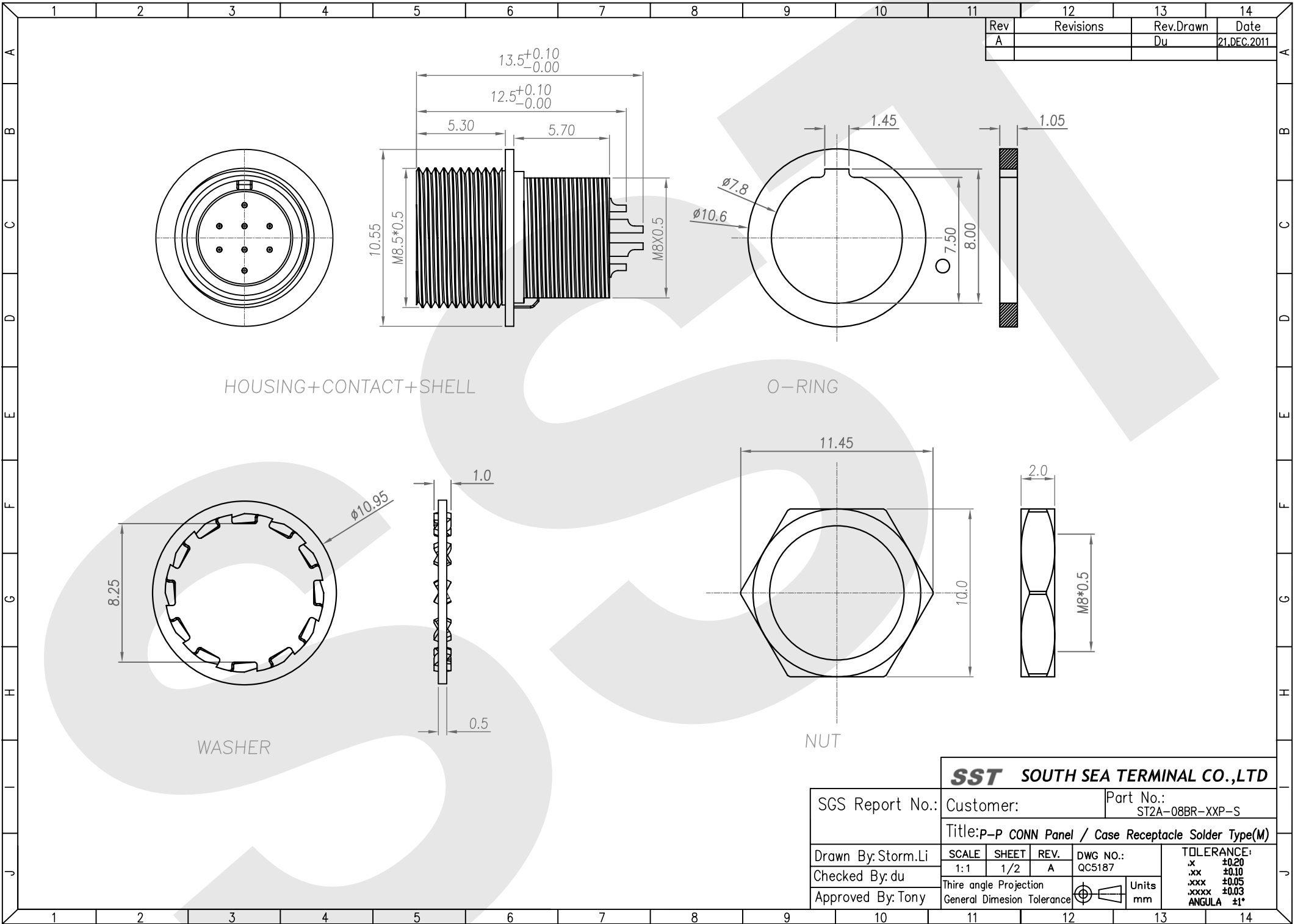


ST2A-08BR-08P-S



SST SOUTH SEA TERMINAL CO.,LTD

SGS Report No.:	Customer:	Part No.:	ST2A-08BR-XXP-S		
Title: P-P CONN Panel / Case Receptacle Solder Type(M)					
Drawn By: Storm.Li	SCALE	SHEET	REV.	DWG NO.:	TOLERANCE: .x ±0.20 .xx ±0.10 .xxx ±0.05 .xxxx ±0.03 ANGULA ±1°
Checked By: du	1:1	1/2	A	QC5187	
Approved By: Tony	Three angle Projection		General Dimenion Tolerance		



Rev	Revisions	Rev.Drawn	Date
A		Du	21.DEC.2011

SST SOUTH SEA TERMINAL CO.,LTD

SGS Report No.:	Customer:	Part No.:
		ST2A-08BR-XXP-S
Title:P-P CONN Panel / Case Receptacle Solder Type(M)		
Drawn By:Storm.Li	SCALE	SHEET
Checked By:du	1:1	1/2
Approved By:Tony	REV.	A
	DWG NO.:	QC5187
	TOLERANCE:	.x ±0.20
		.xx ±0.10
		.xxx ±0.05
		.xxxx ±0.03
		ANGULA ±1°
	Third angle Projection	Units
	General Dimension Tolerance	mm