

Rev	Revisions	Rev.Drawn	Date
A		Du	13.DEC.2011

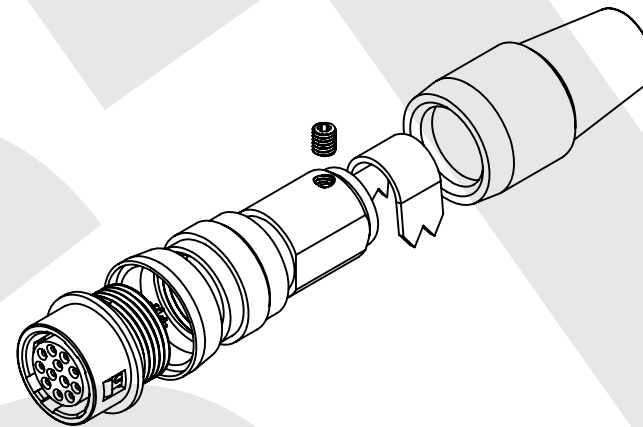
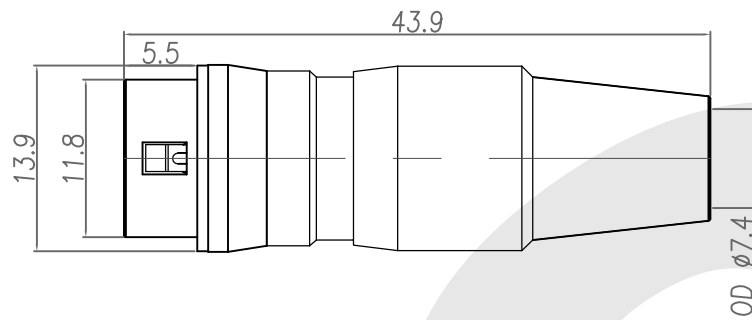
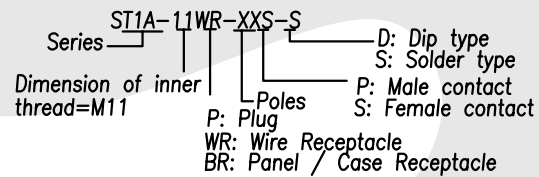


TABLE A

- | | |
|---|---------------------------|
| 1. MATERIAL : | 2. FINISH : |
| 1-1. HOUSING : NYLON46 UL94V-0
COLOR : BLACK | 2-1. CONTACT : GOLD FLASH |
| 1-2. CONTACT : BRASS | 2-2. SHELL A : NICKEL |
| 1-3. SHELL A : ZINC ALLOY | 2-3. SHELL B : NICKEL |
| 1-4. SHELL B : BRASS | 2-4. SHELL C : NICKEL |
| 1-5. SHELL C : BRASS | 2-5. SCREW : NICKEL |
| 1-6. SCREW : ALLOY STEEL | |
| 1-7. CLAMP : BRASS | |
| 1-8. SR : TPR ; COLOR : BLACK | |

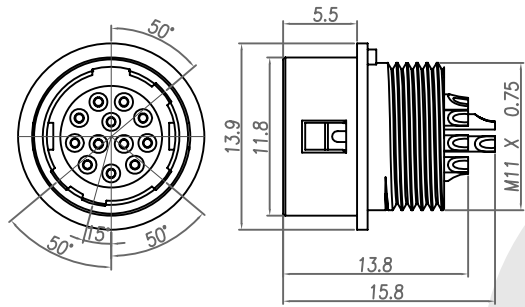
CONTACT ARRANGEMENT & DIMENSIONS(FRONT VIEW)	
ST1A-11WR-12S-S	ST1A-11WR-10S-S

3. ORDERING INFORMATION : P-P(PUSH PULL) CONNECTOR

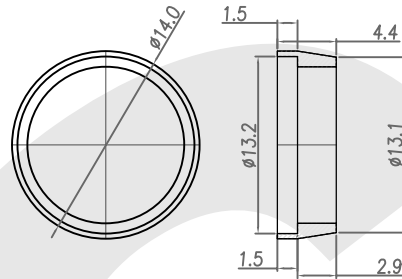


SGS Report No.:		Customer:		Part No.:	
				ST1A-11WR-XXS-S	
Title: P-P CONN. Wire Receptacle Solder Type(F)					
Drawn By: Storm.Li	SCALE	SHEET	REV.	DWG NO.:	TOLERANCE: .x ±0.20 .xxx ±0.10 .xxxx ±0.05 ANGULA ±1°
Checked By: du	1:1	1/2	A	QC5610	
Approved By: Tony	Thire angle Projection		General Dimesion Tolerance		Units mm

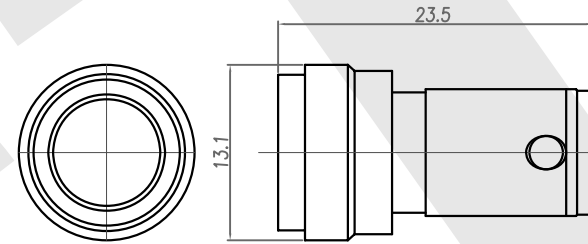
Rev	Revisions	Rev.Drawn	Date
A		Du	13.DEC.2011



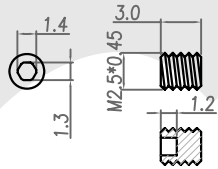
HOUSING + CONTACT + SHELL A



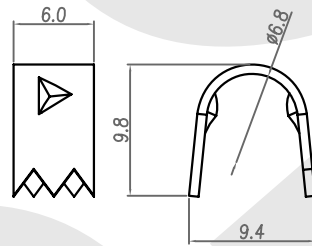
SHELL B



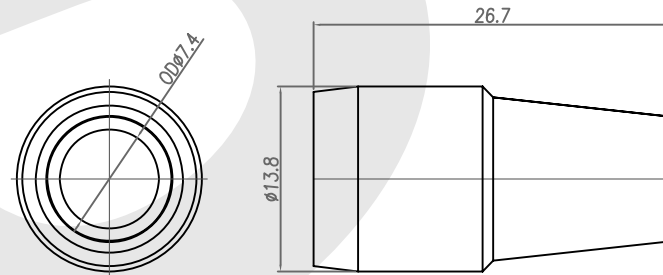
SHELL C



SCREW



CRAMP



SR

SST SOUTH SEA TERMINAL CO.,LTD

SGS Report No.:	Customer:	Part No.:	ST1A-11WR-XXS-S		
Title: P-P CONN. Wire Receptacle Solder Type(F)					
Drawn By: Storm.Li	SCALE	SHEET	REV.	DWG NO.:	TOLERANCE: .x ±0.20 .xx ±0.10 .xxx ±0.05 .xxxx ±0.03 ANGULA ±1°
Checked By: du	1:1	2/2	A	QC5610	
Approved By: Tony	Thire angle Projection		General Dimesion Tolerance		