

Rev	Revisions	Rev.Drawn	Date
A		Du	05.OCT.2011

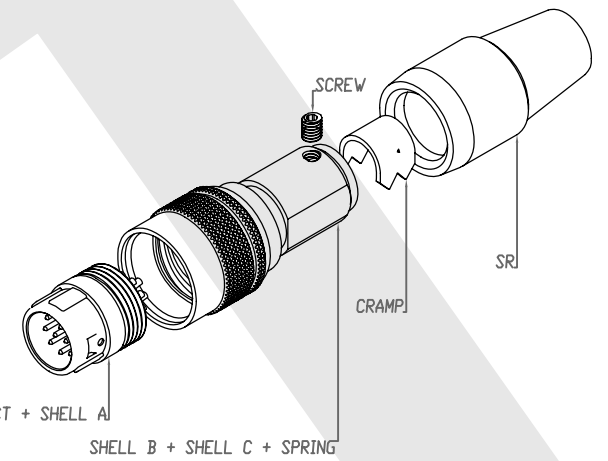
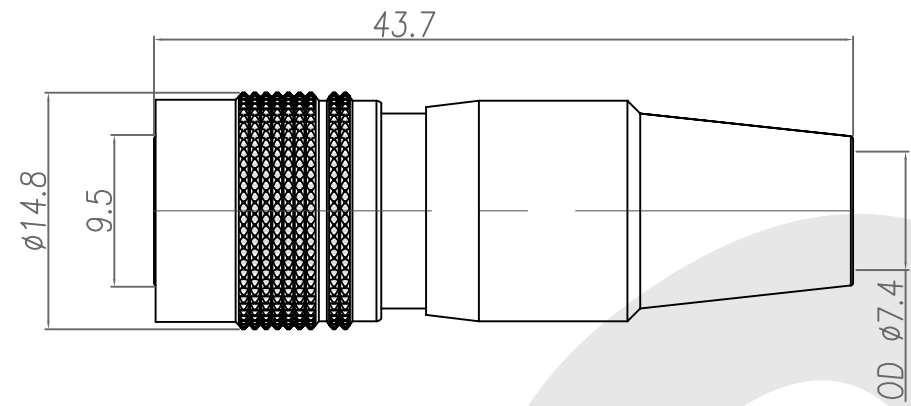
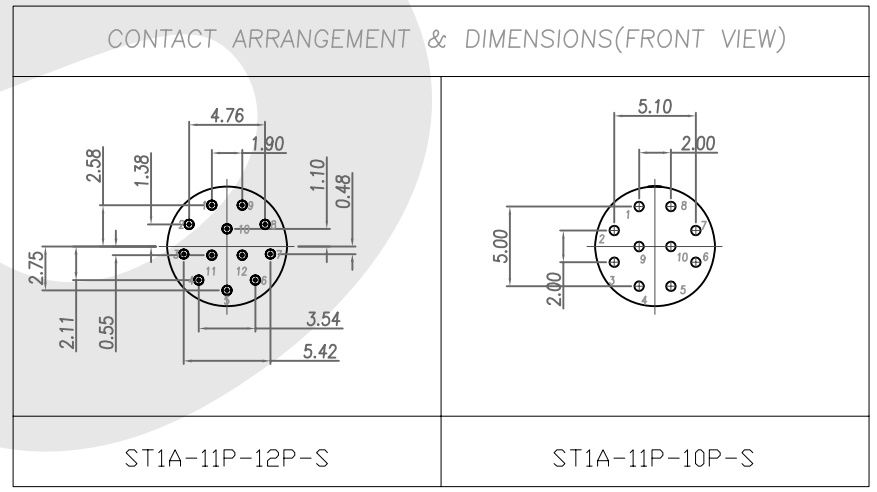
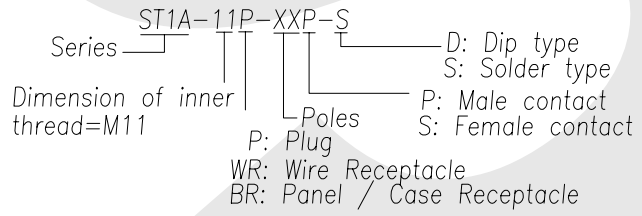


TABLE A



- | | |
|---|-----------------------------|
| 1. MATERIAL : | 2. FINISH : |
| 1-1. HOUSING : PBT UL94V-0
COLOR : BLACK | 2-1. CONTACT : GOLD FLASH |
| 1-2. CONTACT : BRASS | 2-2. SHELL A : NICKEL |
| 1-3. SHELL A : ZINC ALLOY | 2-3. SHELL B : SATIN NICKEL |
| 1-4. SHELL B : BRASS | 2-4. SHELL C : NICKEL |
| 1-5. SHELL C : BRASS | 2-5. SPRING : NICKEL |
| 1-6. SPRING : STAINLESS STEEL | 2-6. SCREW : NICKEL |
| 1-7. SCREW : ALLOY STEEL | |
| 1-8. CLAMP : BRASS | |
| 1-9. SR : TPR ; COLOR : BLACK | |

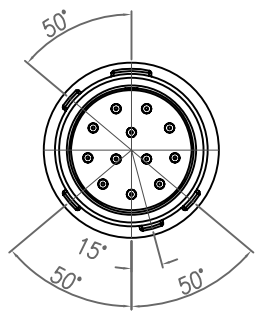
3. ORDERING INFORMATION : P-P(PUSH PULL) CONNECTOR



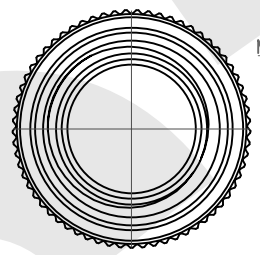
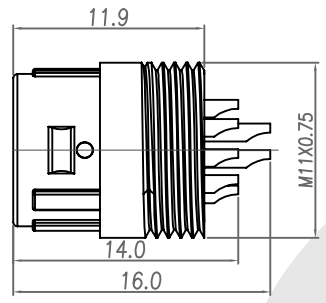
SST SOUTH SEA TERMINAL CO.,LTD

SGS Report No.:	Customer:	Part No.:
		ST1A-11P-XXP-S
Title: P-P CONN. Plug Solder Type (M)		
Drawn By: Storm.Li	SCALE: 1:1	SHEET: 1/2
Checked By: du	REV: A	DWG NO.: QC5390
Approved By: Tony	Third angle Projection	General Dimension Tolerance
	Units: mm	TOLERANCE: .x ±0.20 .xx ±0.10 .xxx ±0.05 .xxxx ±0.03 ANGULA ±1°

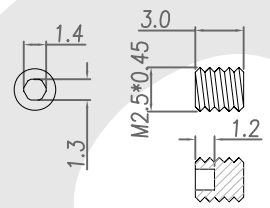
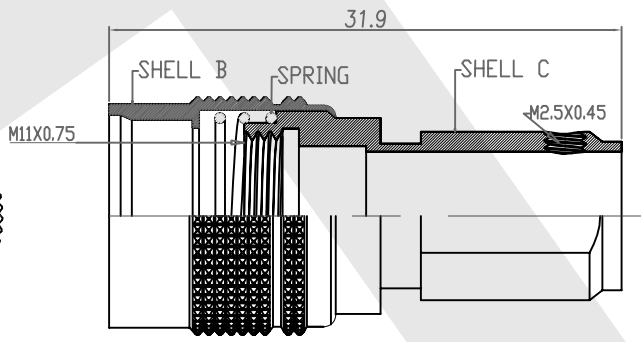
Rev	Revisions	Rev.Drawn	Date
A		Du	05.OCT.2011



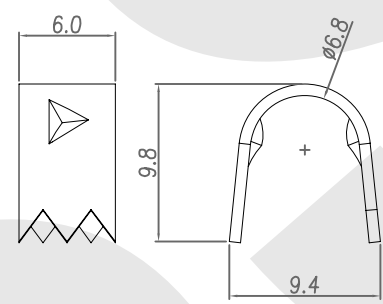
HOUSING + CONTACT + SHELL A



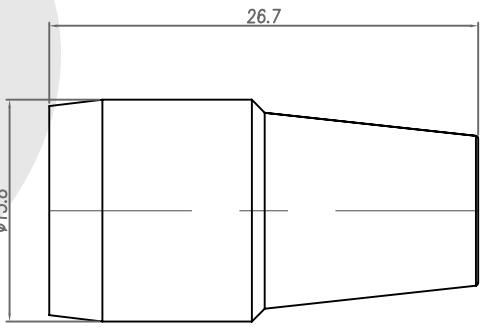
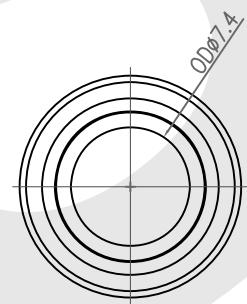
SHELL B + SHELL C + SPRING



SCREW



CRAMP



SR

SST SOUTH SEA TERMINAL CO.,LTD

SGS Report No.:	Customer:	Part No.:
		ST1A-11P-XXP-S
Title: P-P CONN. Plug Solder Type (M)		
Drawn By: Storm.Li	SCALE	SHEET
Checked By: du	1:1	2/2
Approved By: Tony	REV.	A
	DWG NO.:	QC5390
Thire angle Projection		Units
General Dimesion Tolerance		
		mm
		TOLERANCE:
		.x ±0.20
		.xx ±0.10
		.xxx ±0.05
		.xxxx ±0.03
		ANGULA ±1°