

Rev	Revisions	Rev.Drawn	Date
A		Du	05.OCT.2011

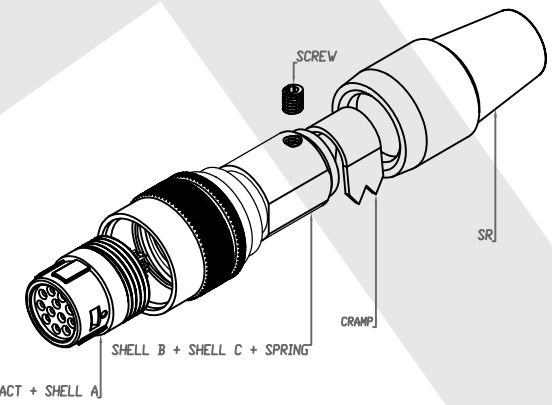
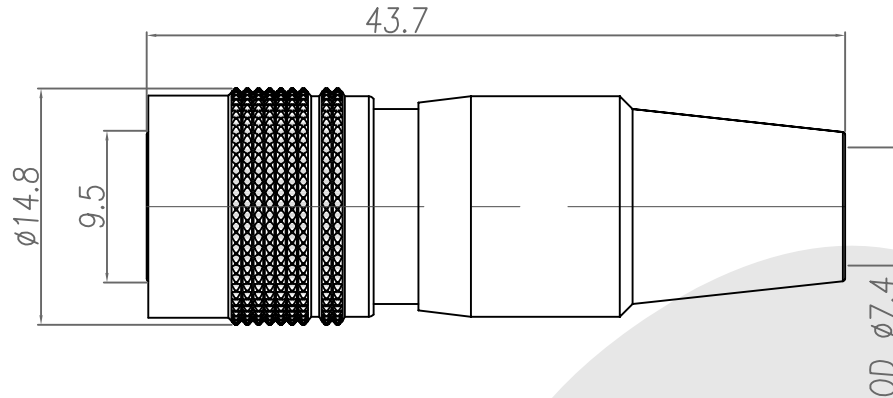
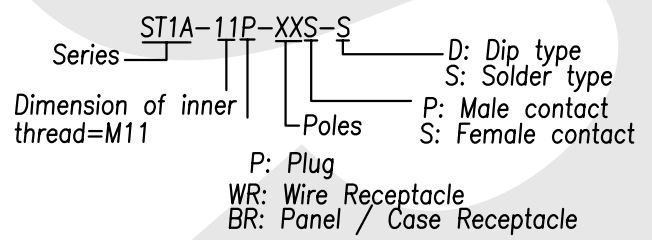


TABLE A

CONTACT ARRANGEMENT & DIMENSIONS(FRONT VIEW)	
ST1A-11P-12S-S	ST1A-11P-10S-S

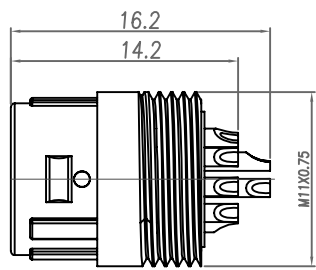
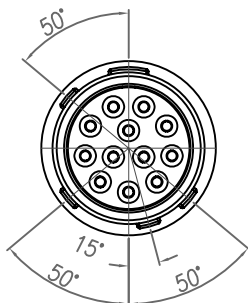
1. MATERIAL :
- 1-1. HOUSING : PBT UL94V-0  
COLOR : BLACK
  - 1-2. CONTACT : BRASS
  - 1-3. SHELL A : ZINC ALLOY
  - 1-4. SHELL B : BRASS
  - 1-5. SHELL C : BRASS
  - 1-6. SPRING : STAINLESS STEEL
  - 1-7. SCREW : ALLOY STEEL
  - 1-8. CLAMP : BRASS
  - 1-9. SR : TPR ; COLOR : BLACK
2. FINISH :
- 2-1. CONTACT : GOLD FLASH
  - 2-2. SHELL A : NICKEL
  - 2-3. SHELL B : SATIN NICKEL
  - 2-4. SHELL C : NICKEL
  - 2-5. SPRING : NICKEL
  - 2-6. SCREW : NICKEL

3. ORDERING INFORMATION : P-P(PUSH PULL) CONNECTOR

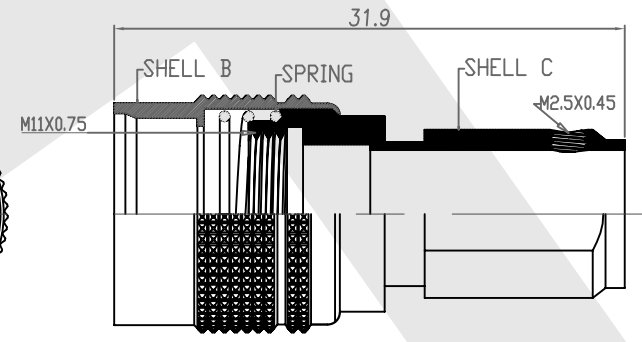
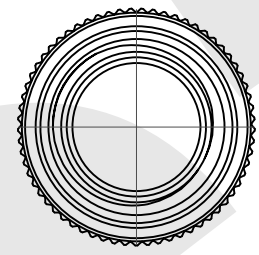


SGS Report No.:		<b>SST</b> SOUTH SEA TERMINAL CO.,LTD		Customer:		Part No.: ST1A-11P-XXS-S	
		Title: P-P CONN. Plug Solder Type (F)					
Drawn By: Storm.Li	SCALE 1:1	SHEET 1/2	REV. A	DWG NO.: QC5517	TOLERANCE: .x ±0.20 .xx ±0.10 .xxx ±0.05 .xxxx ±0.03 ANGULA ±1°		
Checked By: du	Thire angle Projection General Dimesion Tolerance			Units mm			
Approved By: Tony							

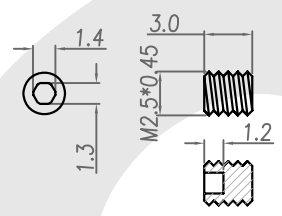
Rev	Revisions	Rev.Drawn	Date
A		Du	05.OCT.2011



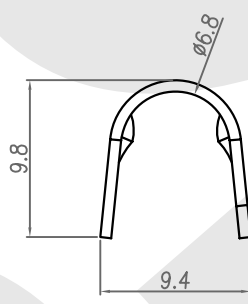
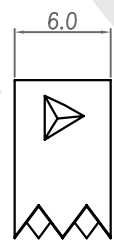
HOUSING + CONTACT + SHELL A



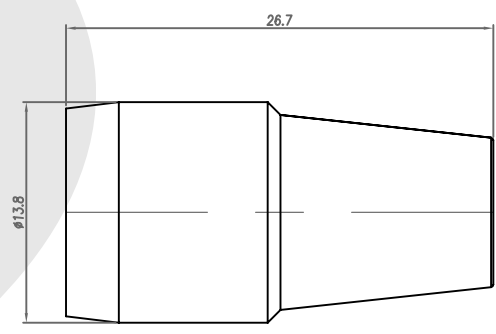
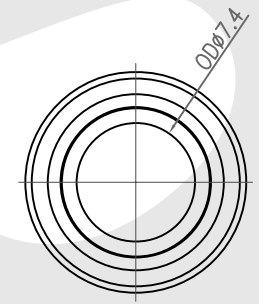
SHELL B + SHELL C + SPRING



SCREW



CRAMP



SR

**SST** SOUTH SEA TERMINAL CO.,LTD

SGS Report No.: Customer: Part No.: ST1A-11P-XXS-S

Title: P-P CONN. Plug Solder Type (F)

Drawn By: Storm.Li	SCALE 1:1	SHEET 2/2	REV. A	DWG NO.: QC5517	TOLERANCE: .x ±0.20 .xx ±0.10 .xxx ±0.05 .xxxx ±0.03 ANGULA ±1°
Checked By: du	Third angle Projection General Dimension Tolerance			Units mm	
Approved By: Tony					