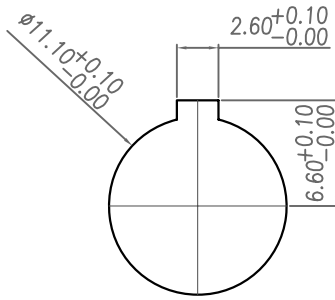
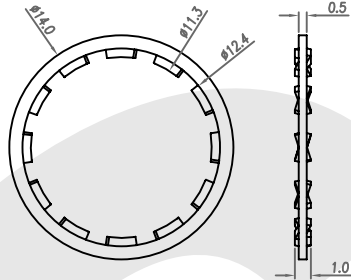
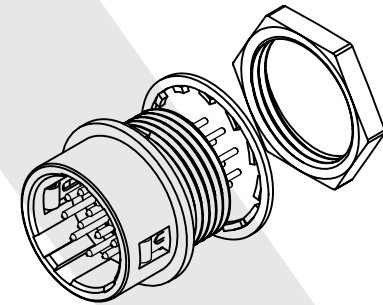
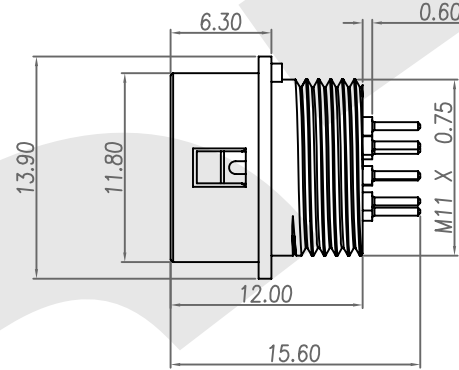
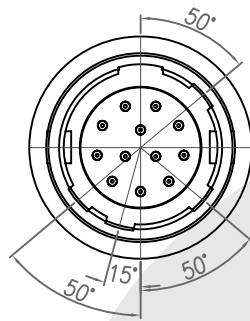


Rev	Revisions	Rev.Drawn	Date
A		Du	05.OCT.2011



RECOMMENDED MOUNTING HOLE



WASHER

NUT

1. MATERIAL :
- 1-1. HOUSING : PBT UL94V-0; COLOR : BLACK
 - 1-2. CONTACT : BRASS
 - 1-3. SHELL : ZINC ALLOY
 - 1-4. SPRING : STAINLESS STEEL
 - 1-5. WASHER : PHOSPHOR BRONZE
 - 1-6. NUT : BRASS

2. FINISH :
- 2-1. CONTACT : GOLD FLASH
 - 2-2. SHELL : NICKEL
 - 2-3. WASHER : NICKEL
 - 2-4. NUT : NICKEL

3. ORDERING INFORMATION : P-P(PUSH PULL) CONNECTOR

Series ST1A-11BR-XXP-D

Dimension of inner thread=M11

Poles

P: Plug
S: Solder type

P: Male contact
S: Female contact

WR: Wire Receptacle
BR: Panel / Case Receptacle

D: Dip type
S: Solder type

TABLE A

CONTACT ARRANGEMENT & DIMENSIONS(FRONT VIEW)	
STIA-11BR-12P-D	STIA-11BR-10P-D

SST SOUTH SEA TERMINAL CO.,LTD

SGS Report No.:	Customer:	Part No.:
		ST1A-11BR-XXP-D
Title: P-P CONN. Panel/Case Receptacle DIP Type (M)		
Drawn By: Storm.Li	SCALE: 1:1	SHEET: 1/1
Checked By: du	REV.: A	DWG NO.: QC5514
Approved By: Tony	Thire angle Projection	General Dimesion Tolerance
	Units: mm	TOLERANCE: .x ±0.20 .xx ±0.10 .xxx ±0.05 .xxxx ±0.03 ANGULA ±1°