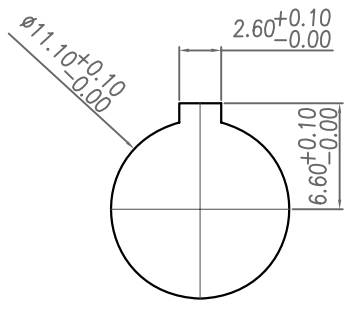
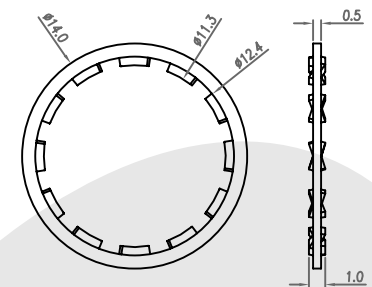
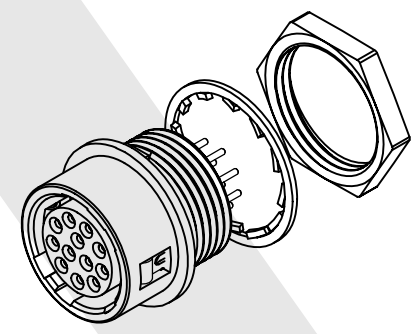
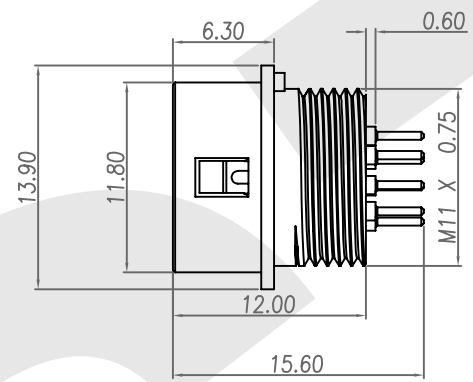
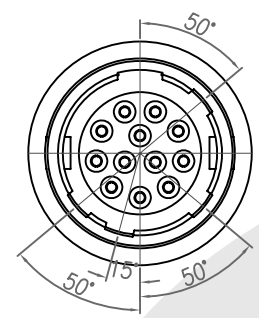


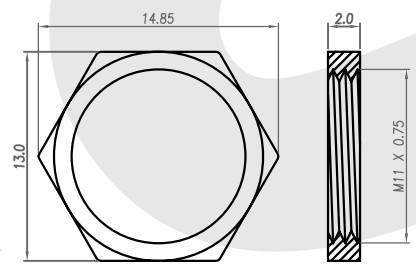
Rev	Revisions	Rev.Drawn	Date
A		Du	05.OCT.2011



RECOMMENDED MOUNTING HOLE



WASHER



NUT

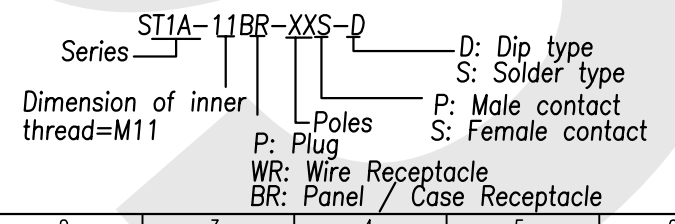
TABLE A

CONTACT ARRANGEMENT & DIMENSIONS(FRONT VIEW)

ST1A-11BR-12S-D	ST1A-11BR-10S-D

1. MATERIAL :
- 1-1. HOUSING : PBT UL94V-0; COLOR : BLACK
 - 1-2. CONTACT : BRASS
 - 1-3. SHELL : ZINC ALLOY
 - 1-4. SPRING : STAINLESS STEEL
 - 1-5. WASHER : PHOSPHOR BRONZE
 - 1-6. NUT : BRASS
2. FINISH :
- 2-1. CONTACT : GOLD FLASH
 - 2-2. SHELL : NICKEL
 - 2-3. WASHER : NICKEL
 - 2-4. NUT : NICKEL

3. ORDERING INFORMATION : P-P(PUSH PULL) CONNECTOR



SST SOUTH SEA TERMINAL CO.,LTD

SGS Report No.:	Customer:	Part No.:
		ST1A-11BR-XXS-D
Title: P-P CONN. Panel/Case Receptacle Dip Type (F)		
Drawn By: Storm.Li	SCALE: 1:1	SHEET: 1/1
Checked By: du	REV.: A	DWG NO.: QC5484
Approved By: Tony	TOLERANCE: .x ±0.20 .xx ±0.10 .xxx ±0.05 .xxxx ±0.03 ANGULA ±1°	
Third angle Projection		Units: mm
General Dimension Tolerance		