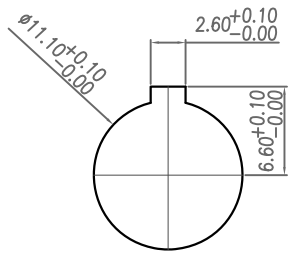
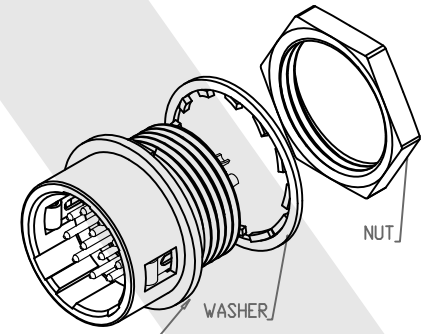
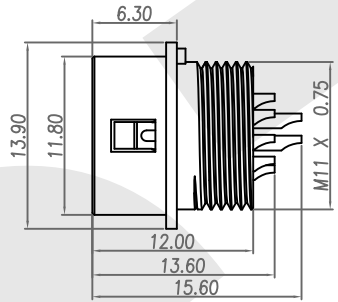
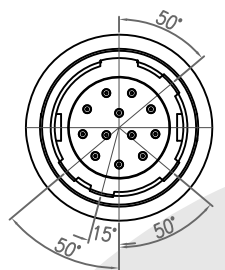


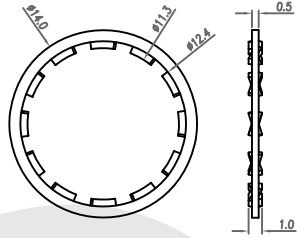
Rev	Revisions	Rev.Drawn	Date
A		Du	13.DEC.2011



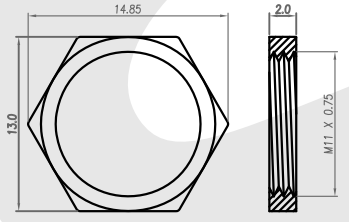
RECOMMENDED MOUNTING HOLE



HOUSING+CONTACT+SPRING+SHELL



WASHER



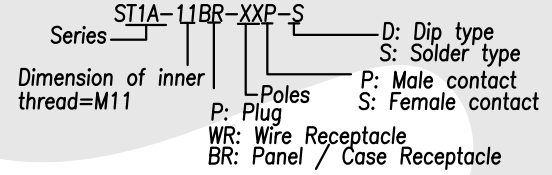
NUT

TABLE A

CONTACT ARRANGEMENT & DIMENSIONS(FRONT VIEW)	
ST1A-11BR-12P-S	ST1A-11BR-10P-S

1. MATERIAL :
- 1-1. HOUSING : NYLON46 UL94V-0; COLOR : BLACK
 - 1-2. CONTACT : BRASS
 - 1-3. SHELL : ZINC ALLOY
 - 1-4. SPRING : STAINLESS STEEL
 - 1-5. WASHER : PHOSPHOR BRONZE
 - 1-6. NUT : BRASS
2. FINISH :
- 2-1. CONTACT : GOLD FLASH
 - 2-2. SHELL : NICKEL
 - 2-3. WASHER : NICKEL
 - 2-4. NUT : NICKEL

3. ORDERING INFORMATION : P-P(PUSH PULL) CONNECTOR



SST SOUTH SEA TERMINAL CO.,LTD

SGS Report No.:	Customer:	Part No.:
		ST1A-11BR-XXP-S
Title: P-P CONN. Panel/Case Receptacle Solder Type (M)		
Drawn By: Storm.Li	SCALE: 1:1	SHEET: 1/1
Checked By: du	REV: A	DWG NO.: QC5556
Approved By: Tony	Thire angle Projection	Units: mm
	General Dimension Tolerance	TOLERANCE:
		.x ±0.20
		.xx ±0.10
		.xxx ±0.05
		.xxxx ±0.03
		ANGULA ±1°