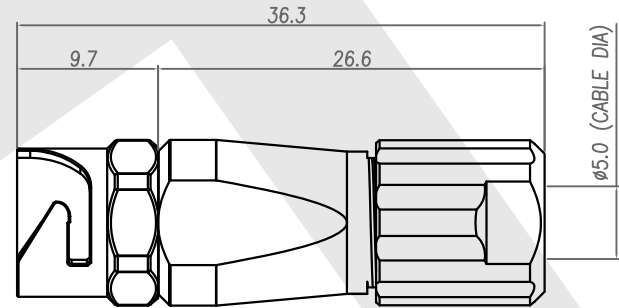
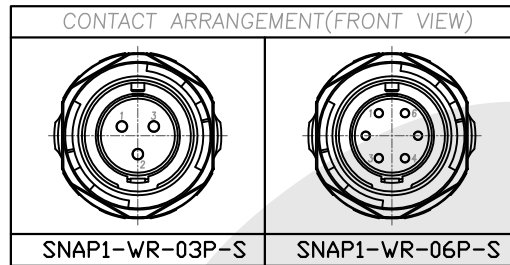


Rev	Revisions	Rev.Drawn	Date
A		Du	22.May.2012

TABLE A



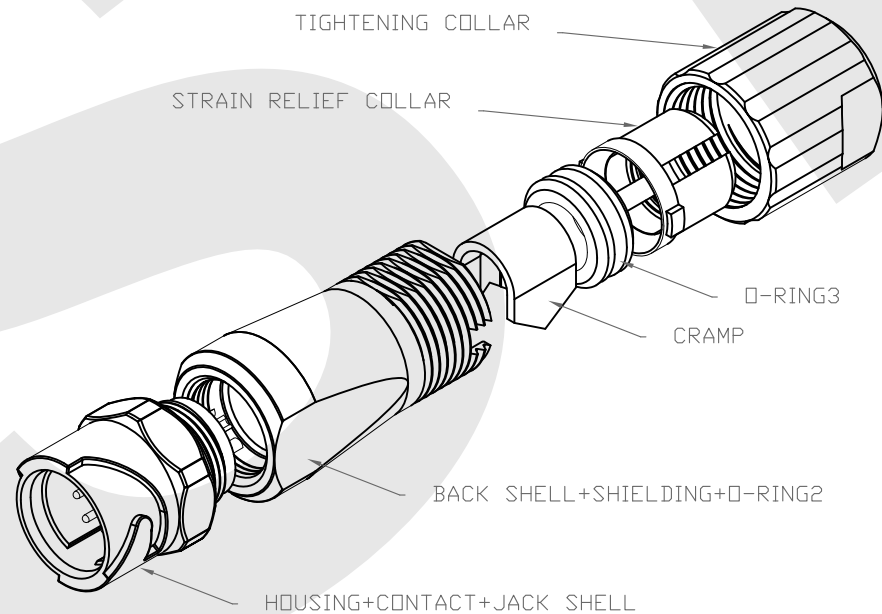
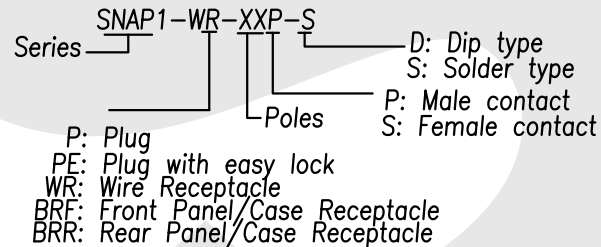
1. MATERIAL :

- 1-1. HOUSING : PPS UL94V-0  
COLOR : BLACK
- 1-2. CONTACT : PHOSPHOR BRONZEC
- 1-3. JACK SHELL : ZINC ALLOY
- 1-4. LOCKING COLLAR : ZINC ALLOY
- 1-5. BACK SHELL : ZINC ALLOY
- 1-6. SHIELDING : PHOSPHOR BRONZE
- 1-7. O-RING 2 : EPDM
- 1-8. CLAMP : BRASS
- 1-9. O-RING 3 : NBR ; COLOR : BLACK

2. FINISH :

- 2-1. CONTACT : GOLD FLASH
- 2-2. JACK SHELL : NICKEL
- 2-3. BACK SHELL : NICKEL
- 2-4. SHIELDING : NICKEL
- 2-5. CLAMP : NICKEL

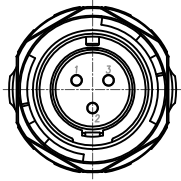
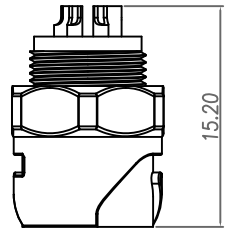
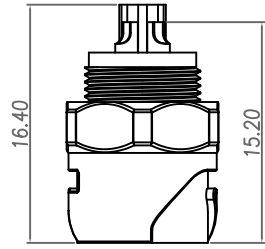
3. ORDERING INFORMATION : WATERPROOF SNAP CONNECTOR



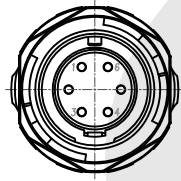
SGS Report No.:		Customer:		Part No.:	
				SNAP1-WR-XXP-S	
Title: Waterproof Snap CONN. Wire Receptacle Solder Type (M)					
Drawn By: Storm.Li	SCALE: 1:1	SHEET: 1/2	REV. A	DWG NO.: QC5715	TOLERANCE: .x ±0.20 .xx ±0.10 .xxx ±0.05 .xxxx ±0.03 ANGULA ±1°
Checked By: du	Thire angle Projection		General Dimesion Tolerance		Units mm
Approved By: Tony					

SST SOUTH SEA TERMINAL CO.,LTD

Rev	Revisions	Rev.Drawn	Date
A		Du	22.May.2012

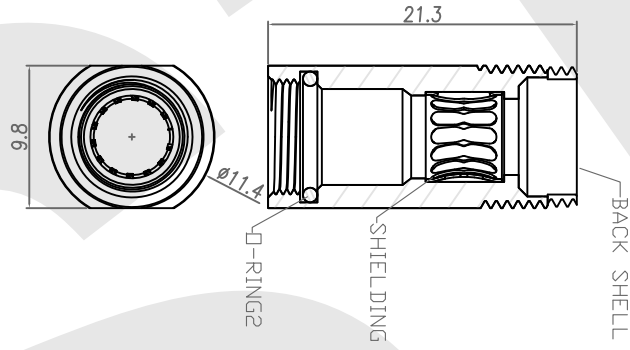


3P

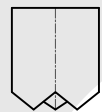


6P

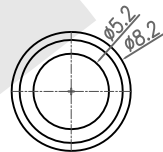
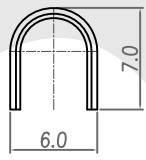
HOUSING+CONTACT+JACK SHELL



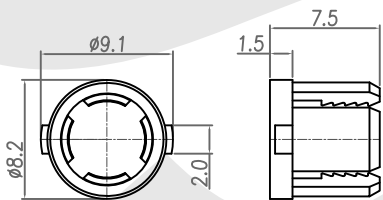
BACK SHELL+SHIELDING+O-RING2



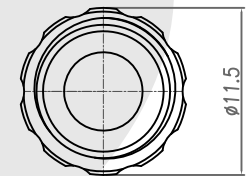
CRAMP



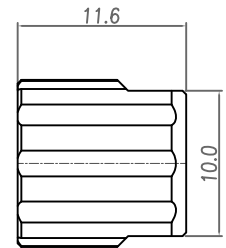
O-RING3



STRAIN RELIEF COLLAR



TIGHTENING COLLAR



**SST SOUTH SEA TERMINAL CO.,LTD**

SGS Report No.:	Customer:	Part No.:
		SNAP1-WR-XXP-S
Title: <b>Waterproof Snap CONN. Wire Receptacle Solder Type (M)</b>		
Drawn By: Storm.Li	SCALE	SHEET
Checked By: du	1:1	2/2
Approved By: Tony	REV.	DWG NO.:
	A	QC5715
Thire angle Projection		Units mm
General Dimesion Tolerance		
TOLERANCE:		TOLERANCE:
.x ±0.20		.x ±0.10
.xxx ±0.05		.xxxx ±0.03
ANGULA ±1°		