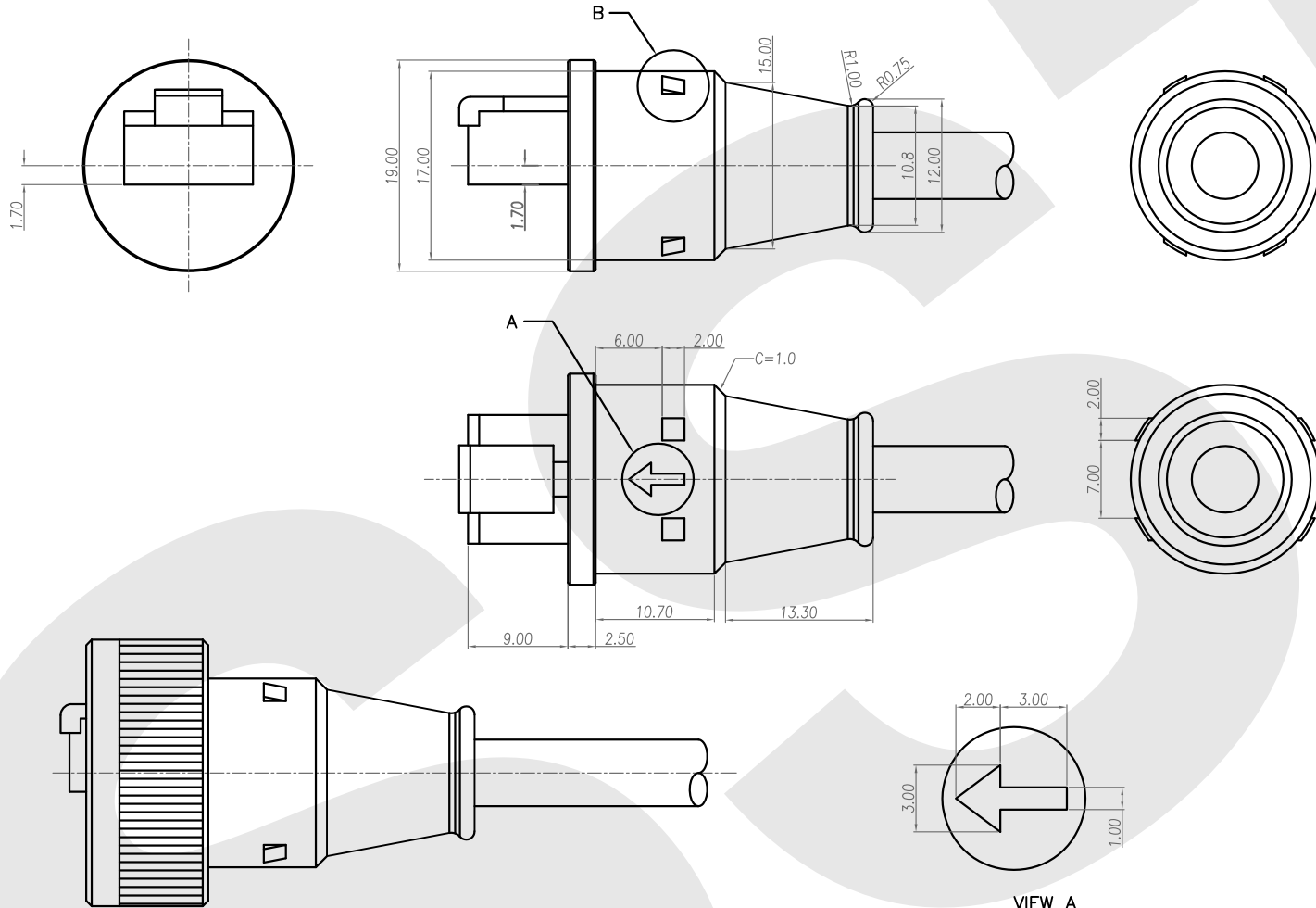


Rev	12	13	14
	Revisions	Rev.Drawn	Date
A		Du	Jan.14.2012

1.MATERIAL :
1-1. MOLDED MATERIAL : TPU.



ASS'Y

VIEW A
SCALE 2:1
箭頭作內凹 深0.3~0.5

VIEW B
SCALE 2:1

SST SOUTH SEA TERMINAL CO.,LTD				
SGS Report No.:		Customer:	Part No.: N-11398-1	
Title: WATERPOOF RJ45 PLUG ASSY'				
Drawn By: Storm.Li	SCALE 1:1	SHEET 1/1	REV. A	DWG NO.:
Checked By: du	Thire angle Projection General Dimension Tolerance			Units mm
Approved By: Tony				TOLERANCE .x ±0.10 .xx ±0.05 .xxx ±0.03 .xxxx ±0.01 ANGULA ±1°