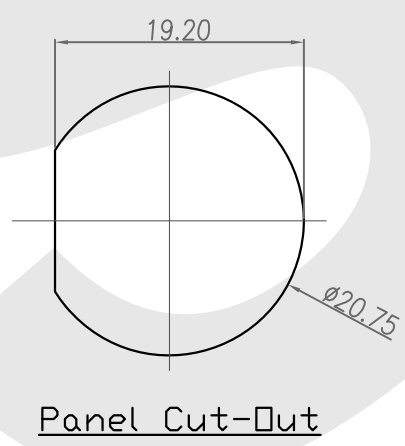
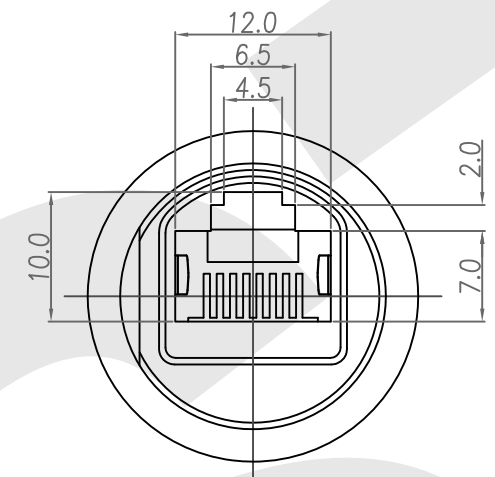
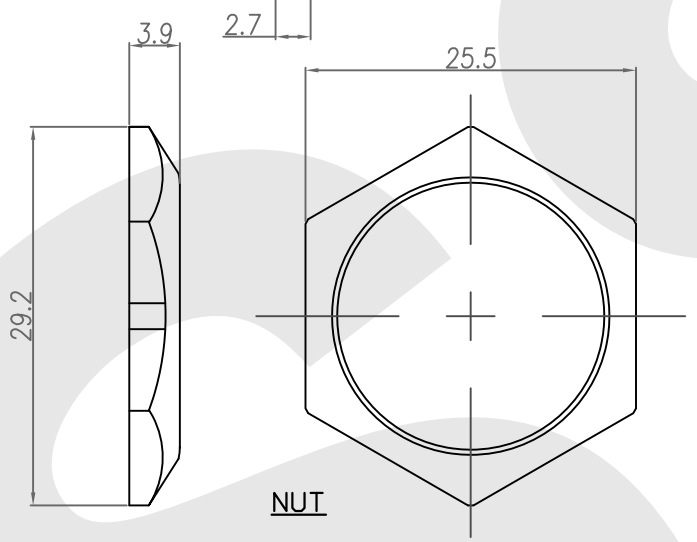
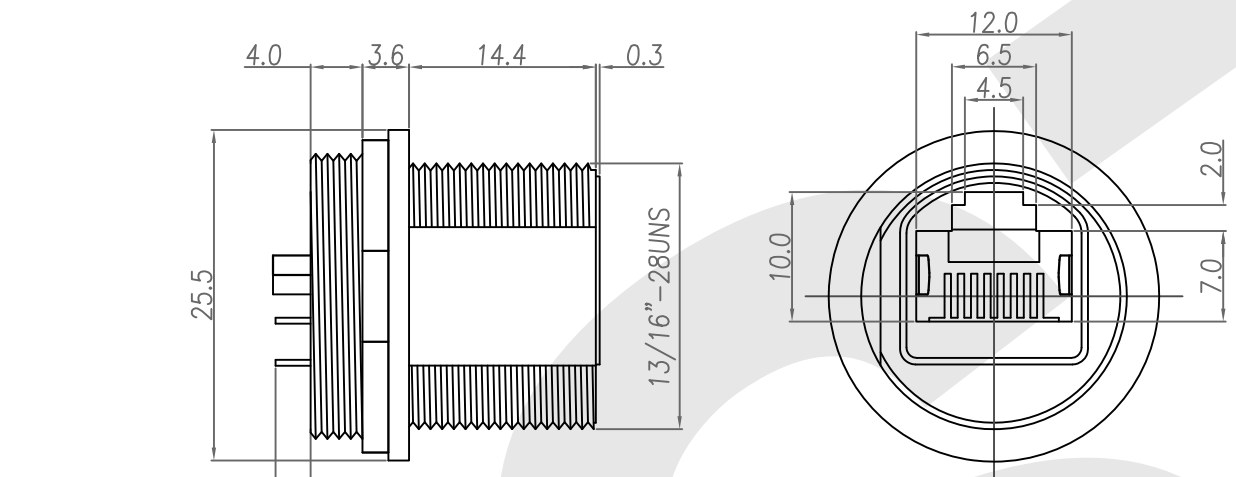


Rev	Revisions	Rev.Drawn	Date
A			



1. MATERIAL :
- 1-1. HOUSING : NYLON ; COLOR : BLACK.
 - 1-2. CONTACT : COPPER ALLOY
 - 1-3. SHELL : Zn ALLOY
 - 1-4. GROUND : SUS 301
 - 1-5. O-RING : EPDM ; COLOR : BLACK.
 - 1-6. NUT : BRASS
 - 1-7. EPOXY BASE : EF400A&EF400B. COLOR : BLACK.
2. FINISH :
- 2-1. CONTACT : GOLD FLASH MICRO INCHES MIN.
 - 2-2. NUT : NICKEL PLTAE.
 - 2-3. SHELL : NICKEL PLTAE.

SST SOUTH SEA TERMINAL CO.,LTD

SGS Report No.:	Customer:	Part No.:
		WP-RJ45-08-F-B-FL-13/16-S-GF-B-N
Title: RJ45 FEMALE SOLDER TYPE FRONT LOCK for PANEL (13/16)		
Drawn By: Storm.Li	SCALE	SHEET
Checked By: du	1:1	1/1
Approved By: Tony	REV.	A
	DWG NO.:	/
	Third angle Projection	Units
	General Dimension Tolerance	mm
		TOLERANCE:
		.x ±0.20
		.xx ±0.10
		.xxx ±0.05
		.xxxx ±0.03
		ANGULA ±1°