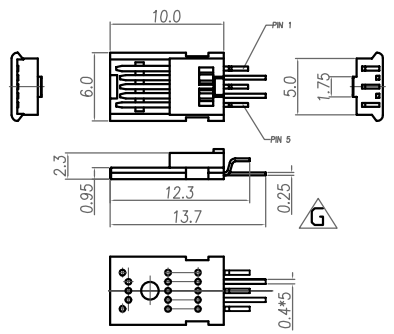
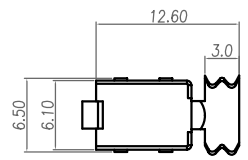


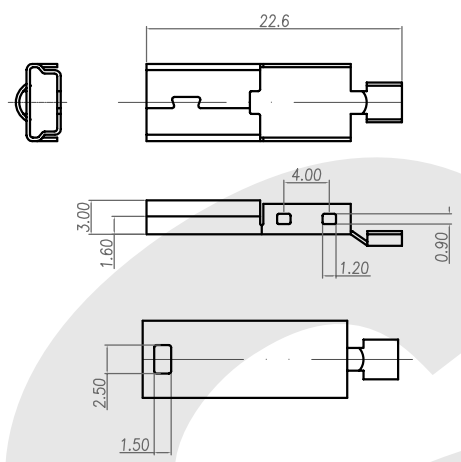
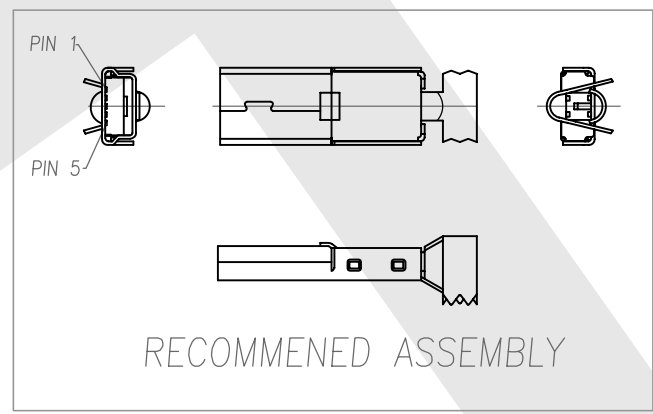
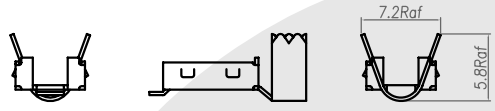
Rev	Revisions	Rev.Drawn	Date
A		Du	14.OCT.2011



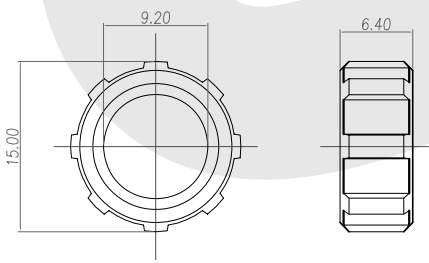
MiniUsb 5B(M)膠芯+端子



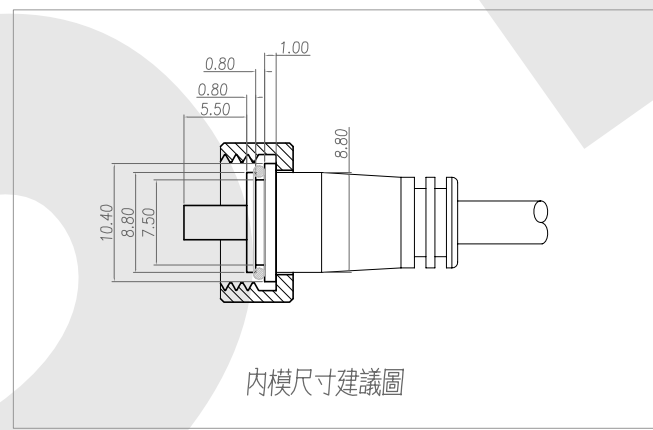
MiniUSB 5(M)成型上蓋(黃銅)鍍



MiniUSB 5(M)成型下蓋(黃銅)鍍



防水MiniUsb 螺母



1. MATERIAL :
- 1-1. HOUSING : PBT UL94V-0
 - 1-2. CONTACT : BRASS
 - 1-3. SHELL UP: SEE TABLE A
 - 1-4. SHELL DOWN: SEE TABLE A
 - 1-5. NUT: PBT UL94V-0
2. FINISH :
- 2-1. CONTACT AREA : SEE TABLE A
 - OTHER AREA : GOLD FLASH
 - SOLDER AREA : BRIGHT TIN
 - 2-2. SHELL UP : SEE TABLE A
 - 2-3. SHELL DOWN : SEE TABLE A

SST SOUTH SEA TERMINAL CO.,LTD

SGS Report No.:	Customer:	Part No.:						
		WP-MUSB-05-M-B						
Title: MINI USB 5PIN (M) 鍍								
Drawn By: Storm.Li	SCALE: 1:1	SHEET: 1/1						
Checked By: du	REV.:	A						
Approved By: Tony	DWG NO.:	QC5564						
Third angle Projection		Units: mm						
General Dimension Tolerance								
<table border="1"> <tr> <th>TOLERANCE</th> </tr> <tr> <td>.x ±0.20</td> </tr> <tr> <td>.xx ±0.10</td> </tr> <tr> <td>.xxx ±0.05</td> </tr> <tr> <td>.xxxx ±0.03</td> </tr> <tr> <td>ANGULA ±1°</td> </tr> </table>			TOLERANCE	.x ±0.20	.xx ±0.10	.xxx ±0.05	.xxxx ±0.03	ANGULA ±1°
TOLERANCE								
.x ±0.20								
.xx ±0.10								
.xxx ±0.05								
.xxxx ±0.03								
ANGULA ±1°								