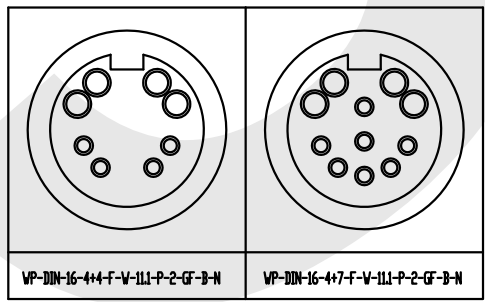
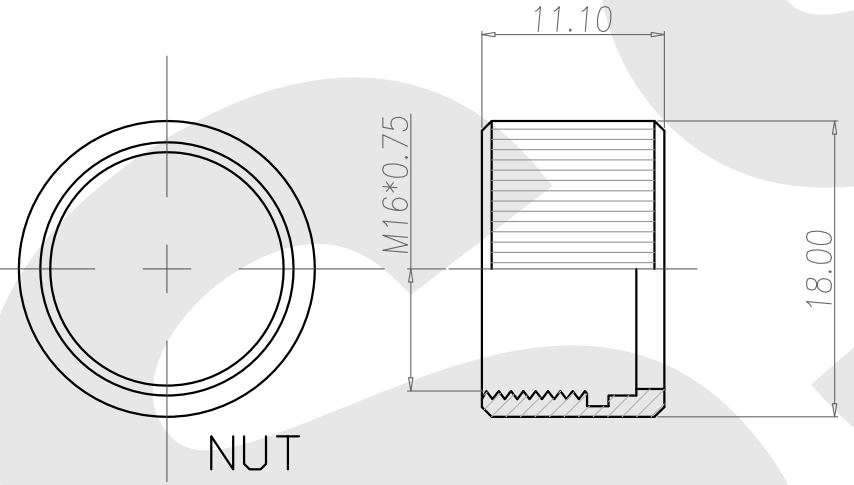
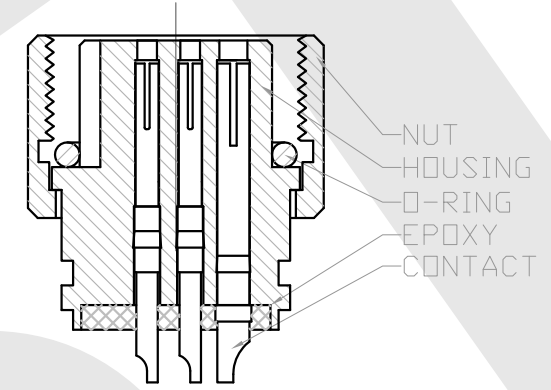
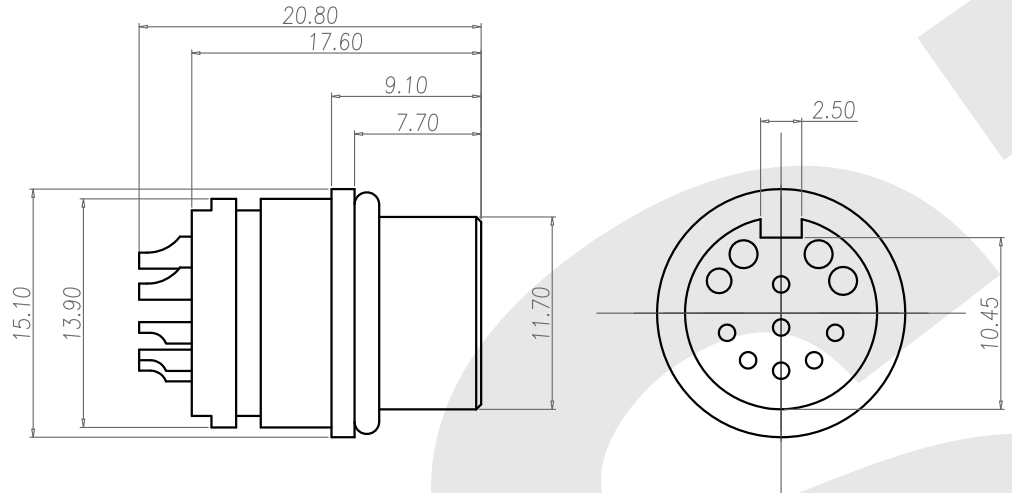


Rev	Revisions	Rev.Drawn	Date
A		Du	02/07/13



- MATERIAL :**
  - 1-1. HOUSING : PBT ; COLOR : BLACK
  - 1-2. CONTACT : BRASS
  - 1-3. NUT : BRASS.
  - 1-4. O-RING : EPDM ; COLOR : BLACK
- FINISH :**
  - 2-1. CONTACT : GOLD FLASH MICRO INCHES MIN. UNDER PLATE : NICKEL
  - 2-2. NUT : Satin Nickel PLATED.
- ELECTRICAL SPECIFICATION :**
  - 3-1. Rated current : 10A+1A
  - 3-2. Rated Voltage : 250V+125V
- Environmental :**
  - 4-1. Operation Temperature : -40 °C~85°C

**SST SOUTH SEA TERMINAL CO.,LTD**

SGS Report No.: Customer: Part No.: WP-DIN-16-4+4(7)-F-W-11.1-P-2-G-B-N

Title: WATERPROOF DIN(F) SOLDER TYPE for CABLE 10A+1A

Drawn By: Storm.Li	SCALE	SHEET	REV.	DWG NO.:	TOLERANCE .x ±0.20 .xx ±0.10 .xxx ±0.05 .xxxx ±0.03 ANGULA ±1°
Checked By: du	1:1	1/1	A	/	
Approved By: Tony	Third angle Projection		General Dimension Tolerance		Units mm