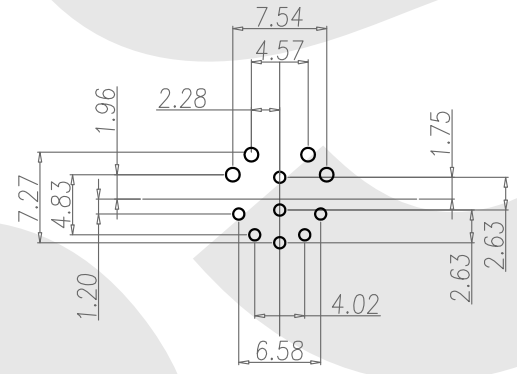
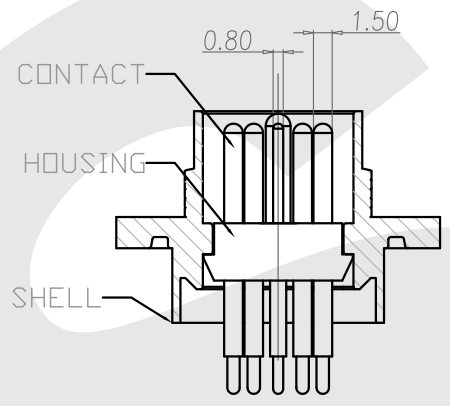
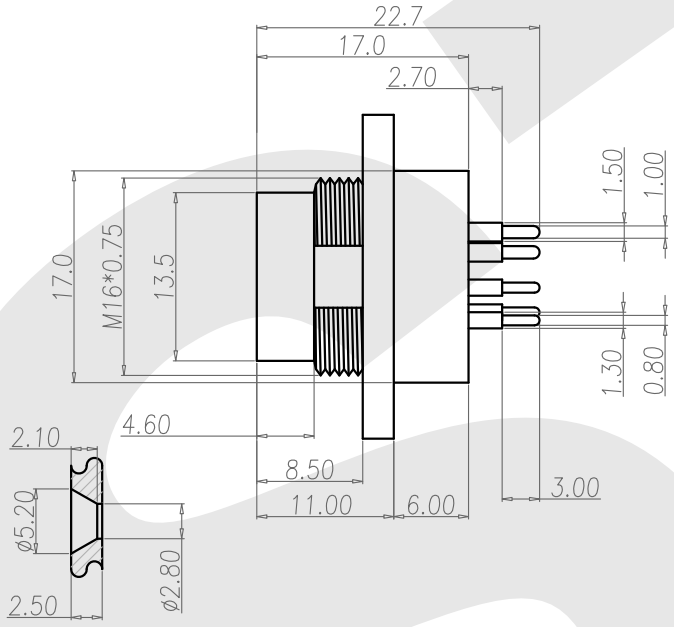
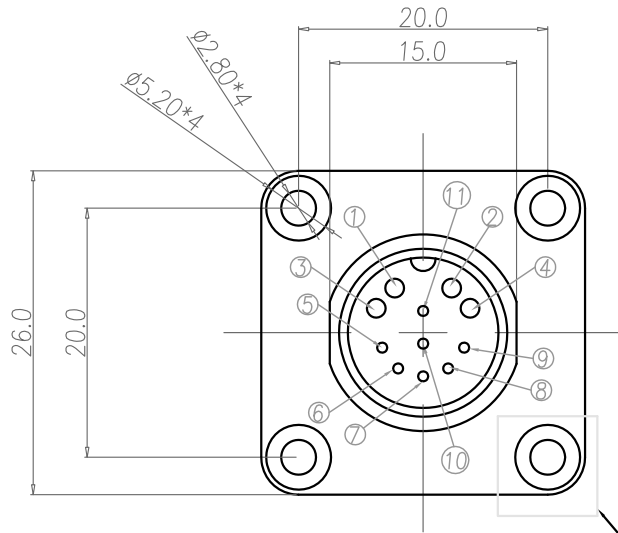


Rev	Revisions	Rev.Drawn	Date
A		Du	15/08/11*



RECOMMEND P.C.B LAYOUT

1. MATERIAL :
 - 1-1. HOUSING : PA66 UL94V-2 ; COLOR : BLACK
 - 1-2. CONTACT : BRASS
 - 1-3. SHELL : ZIAC ALLOY.
2. FINISH :
 - 2-1. CONTACT : GOLD FLASH MICRO INCHES MIN.
UNDER PLATE : NICKEL
 - 2-2. SHELL : Satin Nickel PLATED.
3. ELECTRICAL SPECIFICATION :
 - 3-1. Rated current : 10A+1A
 - 3-2. Rated Voltage : 250V+125V
4. Environmental :
 - 4-1. Operation Temperature : -40 °C~85°C

SST SOUTH SEA TERMINAL CO.,LTD

SGS Report No.:	Customer:	Part No.:
	WP-DIN-16-4+7-M-B-FL-16x0.75-D-D-GF-B-SN	
Title: WATERPROOF DIN(M) DIP TYPE FRONT LOCK for BOARD 10A+1A		
Drawn By: Storm.Li	SCALE: 1:1	SHEET: 1/1
Checked By: du	REV.:	A
Approved By: Tony	DWG NO.:	
Thire angle Projection		Units: mm
General Dimension Tolerance		
		TOLERANCE
		.x ±0.20
		.xx ±0.10
		.xxx ±0.05
		.xxxx ±0.03
		ANGULA ±1°