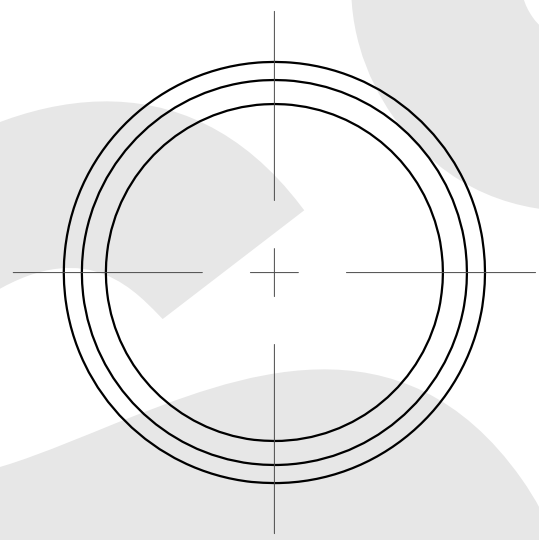
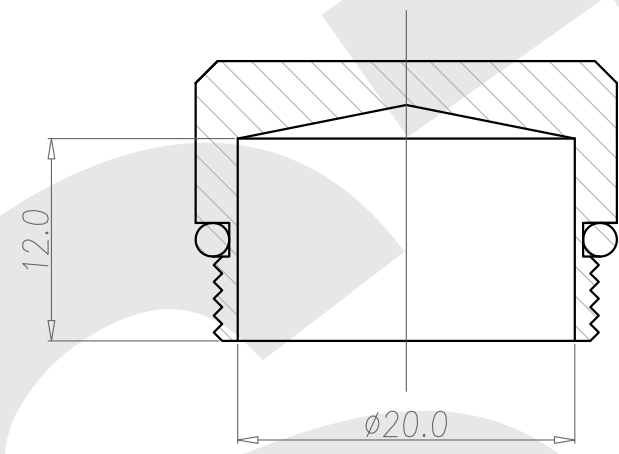
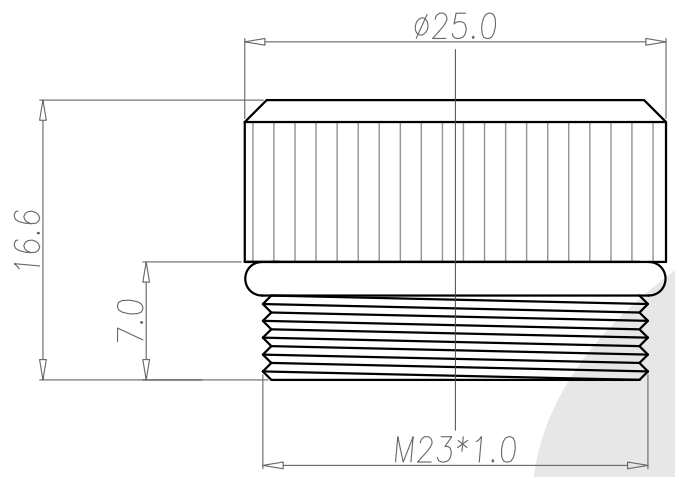


Rev	Revisions	Rev.Drawn	Date
A		Du	04/08/09*



1. MATERIAL :
 - 1-3. SHELL : BRASS.
 - 1-4. O-Ring : NBR ; COLOR : BLACK.
2. FINISH :
 - 2-2. SHELL : NICKEL PLATED.

SST SOUTH SEA TERMINAL CO.,LTD	
SGS Report No.:	Customer: Part No.: 23M-M-B-N-ONR-NT
Title: M23 MALE DUSTY COVER with O-RING	
Drawn By: Storm.Li	SCALE SHEET REV. DWG NO.:
Checked By: du	1:1 1/1 A /
Approved By: Tony	Thire angle Projection General Dimesion Tolerance
Units mm	
TOLERANCE: .x ±0.10 .xx ±0.05 .xxx ±0.03 .xxxx ±0.01 ANGULA ±1°	