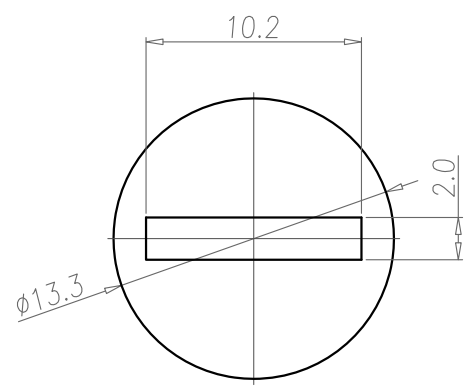
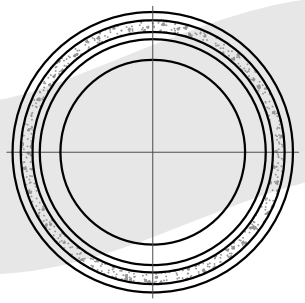
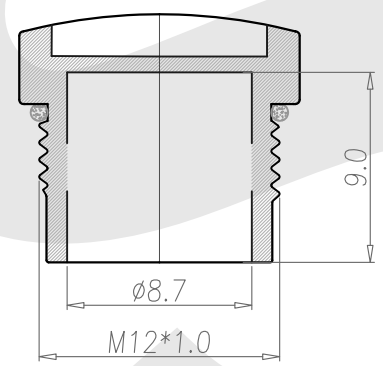
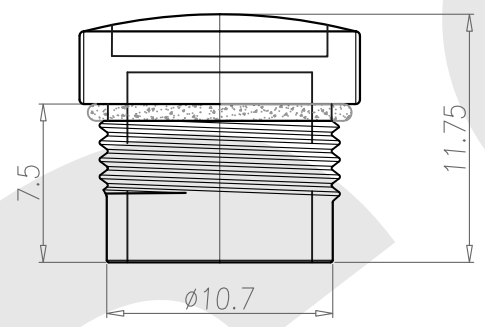


Rev	Revisions	Rev.Drawn	Date
A		Du	23.AUG.2011



1. MATERIAL :
 - 1-1. HOUSING : PBT UL94V-0 ; COLOR : BLACK
 - 1-2. O-RING : EPDM ; COLOR:BLCAK
2. Housing Cannot have the shrinkage, the fragments, the lack materials , and so on undesirable tendency
3. The male and female spiral tooth must to turn smoothly.



SST SOUTH SEA TERMINAL CO.,LTD

SGS Report No.:	Customer:	Part No.:
		12M-P-P-OED-NT
Title: M12 MALE DUST COVER		
Drawn By: Storm.Li	SCALE	SHEET
Checked By: du	1:1	1/1
Approved By: Tony	REV.	A
	DWG NO.:	SST-110823-01
	Thire angle Projection	
	General Dimesion Tolerance	
	Units	mm
	TOLERANCE:	
	.x	±0.20
	.xx	±0.10
	.xxx	±0.05
	.xxxx	±0.03
	ANGULA	±1°