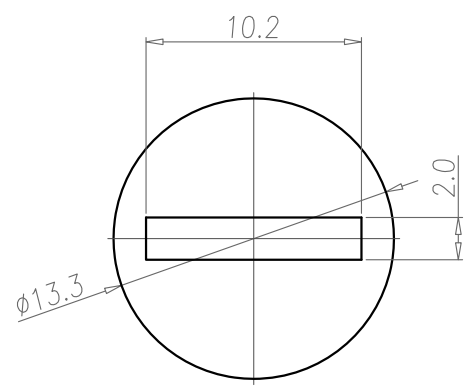
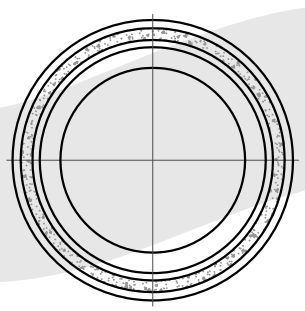
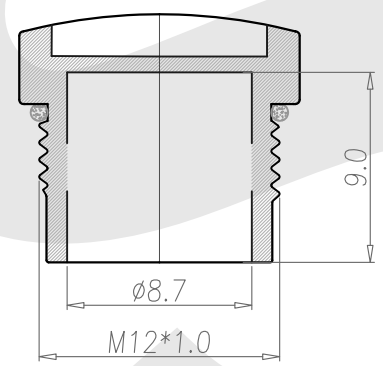
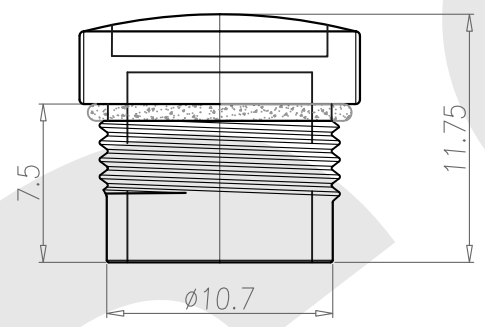


Rev	Revisions	Rev.Drawn	Date
A		Du	23.AUG.2011



1. MATERIAL :
 - 1-1. HOUSING : PBT UL94V-0 ; COLOR : BLACK
 - 1-2. O-RING : NBR ; COLOR:BLACK
2. Housing Cannot have the shrinkage, the fragments, the lack materials , and so on undesirable tendency
3. The male and female spiral tooth must to turn smoothly.



SST SOUTH SEA TERMINAL CO.,LTD

SGS Report No.:	Customer:	Part No.:
		12M-P-P-ONR-NT
Title: M12 MALE DUST COVER		
Drawn By: Storm.Li	SCALE	SHEET
Checked By: du	1:1	1/1
Approved By: Tony	REV. A	
	DWG NO.: SST-110823-01	
	TOLERANCE:	
	.x ±0.20	
	.xx ±0.10	
	.xxx ±0.05	
	.xxxx ±0.03	
	ANGULA ±1°	
	Thire angle Projection	Units
	General Dimesion Tolerance	mm