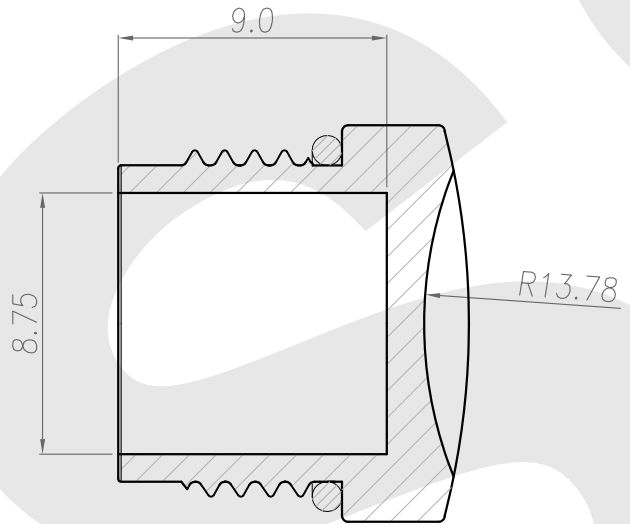
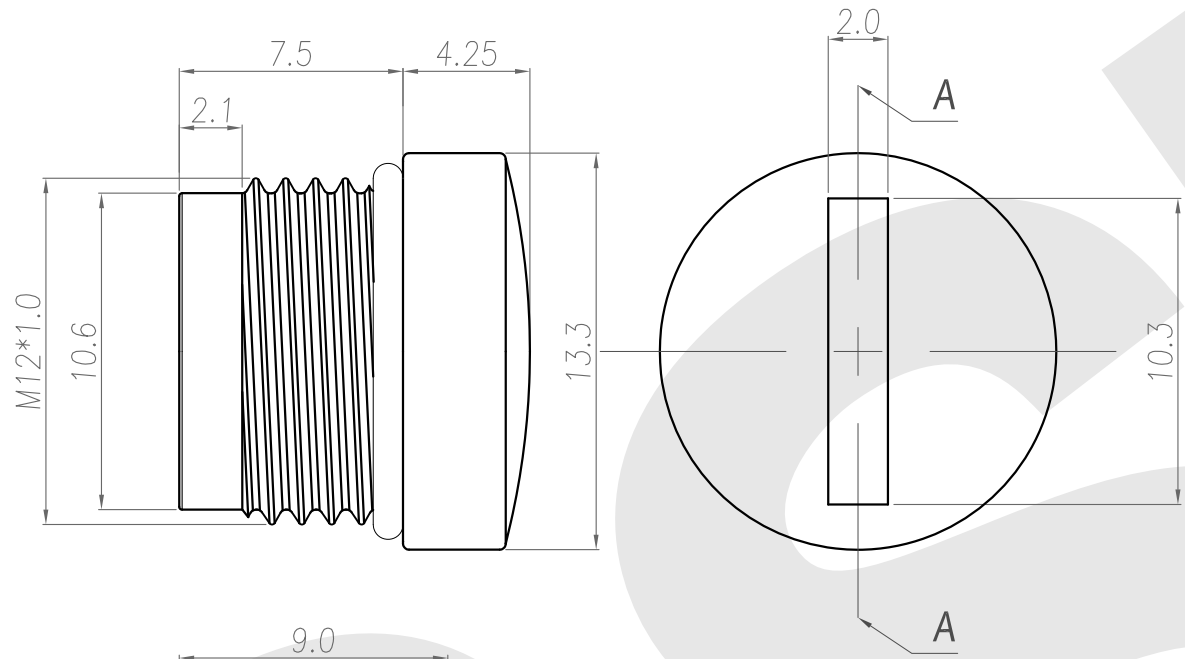


|     |           |           |           |
|-----|-----------|-----------|-----------|
| Rev | Revisions | Rev.Drawn | Date      |
| A   |           | Du        | 19/05/09" |



1. MATERIAL :
  - 1-1. SHELL : BRASS
  - 1-2. O-RING : NBR .COLOR:BLACK
2. FINISH :
  - 2-1. SHELL : NICKEL PLATED.

|                            |                             |                                       |      |          |                  |       |
|----------------------------|-----------------------------|---------------------------------------|------|----------|------------------|-------|
| SGS Report No.:            |                             | <b>SST SOUTH SEA TERMINAL CO.,LTD</b> |      |          | Part No.:        |       |
|                            |                             | Customer:                             |      |          | 12M-M-B-N-ONR-NT |       |
| Title: M12 MALE DUST COVER |                             |                                       |      |          |                  |       |
| Drawn By: Storm.Li         | SCALE                       | SHEET                                 | REV. | DWG NO.: | TOLERANCE:       |       |
| Checked By: du             | 1:1                         | 1/1                                   | A    | /        | .x               | ±0.20 |
| Approved By: Tony          | Third angle Projection      |                                       |      | Units    | .xx              | ±0.10 |
|                            | General Dimension Tolerance |                                       |      |          | mm               | .xxx  |
|                            |                             |                                       |      |          | ANGULA           | ±1*   |