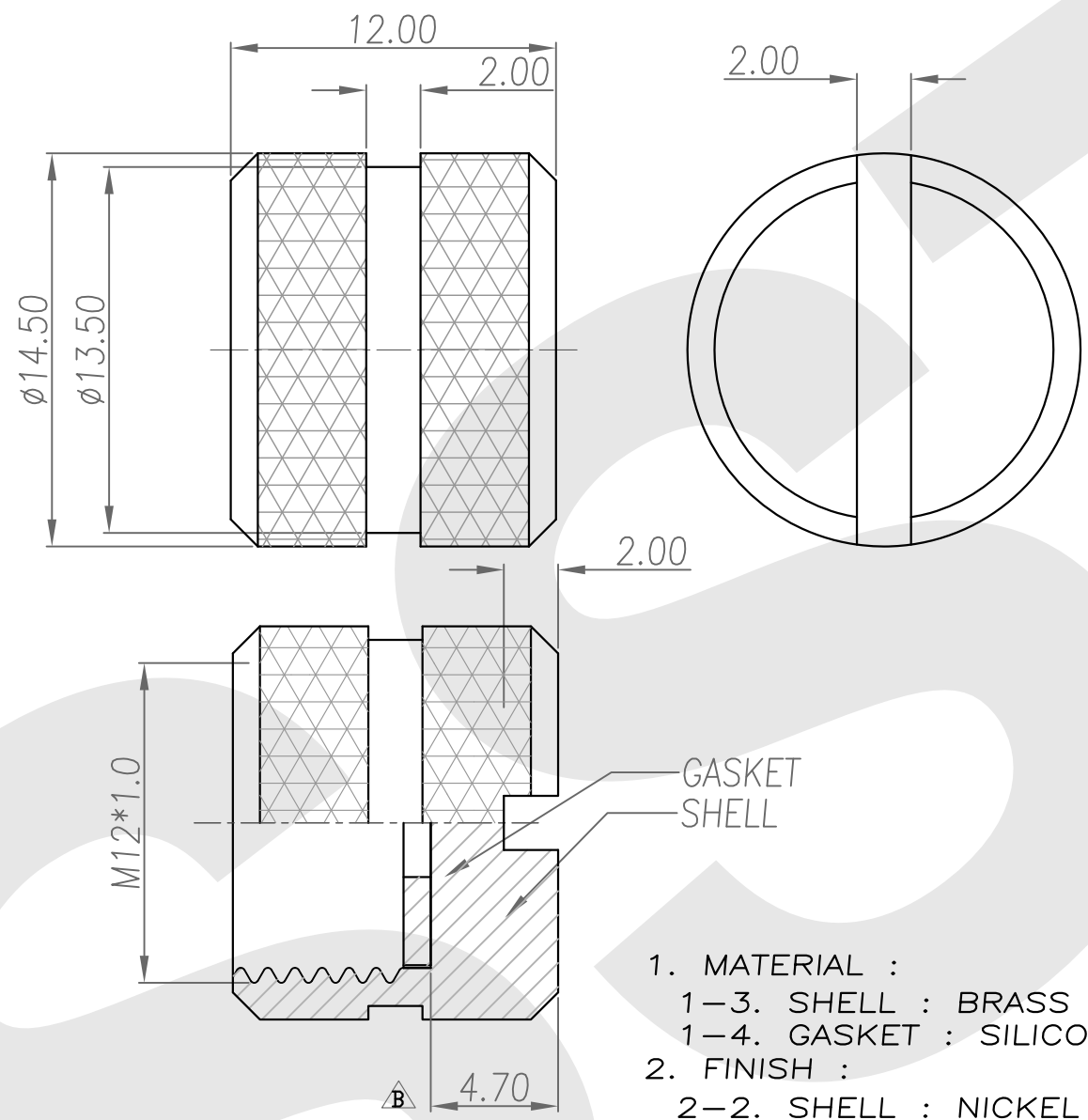


Rev	12	13	14
	Revisions	Rev.Drawn	Date
A		Du	16.MAR.2012



GASKET
SHELL

1. MATERIAL :
 - 1-3. SHELL : BRASS
 - 1-4. GASKET : SILICON ; COLOR:BLACK
2. FINISH :
 - 2-2. SHELL : NICKEL PLATED OVER ALL

SST SOUTH SEA TERMINAL CO.,LTD

SGS Report No.:	Customer:	Part No.:
		12F-M-B-N-OSL-NT-2
Title: M12 FEMALE DUST COVER TYPE		
Drawn By: Storm.Li	SCALE	SHEET
Checked By: du	1:1	1/1
Approved By: Tony	REV.	DWG NO.:
	A	/
Thire angle Projection		Units mm
General Dimesion Tolerance		
		TOLERANCE:
		.x ±0.10
		.xx ±0.05
		.xxx ±0.03
		.xxxx ±0.01
		ANGULA ±1°