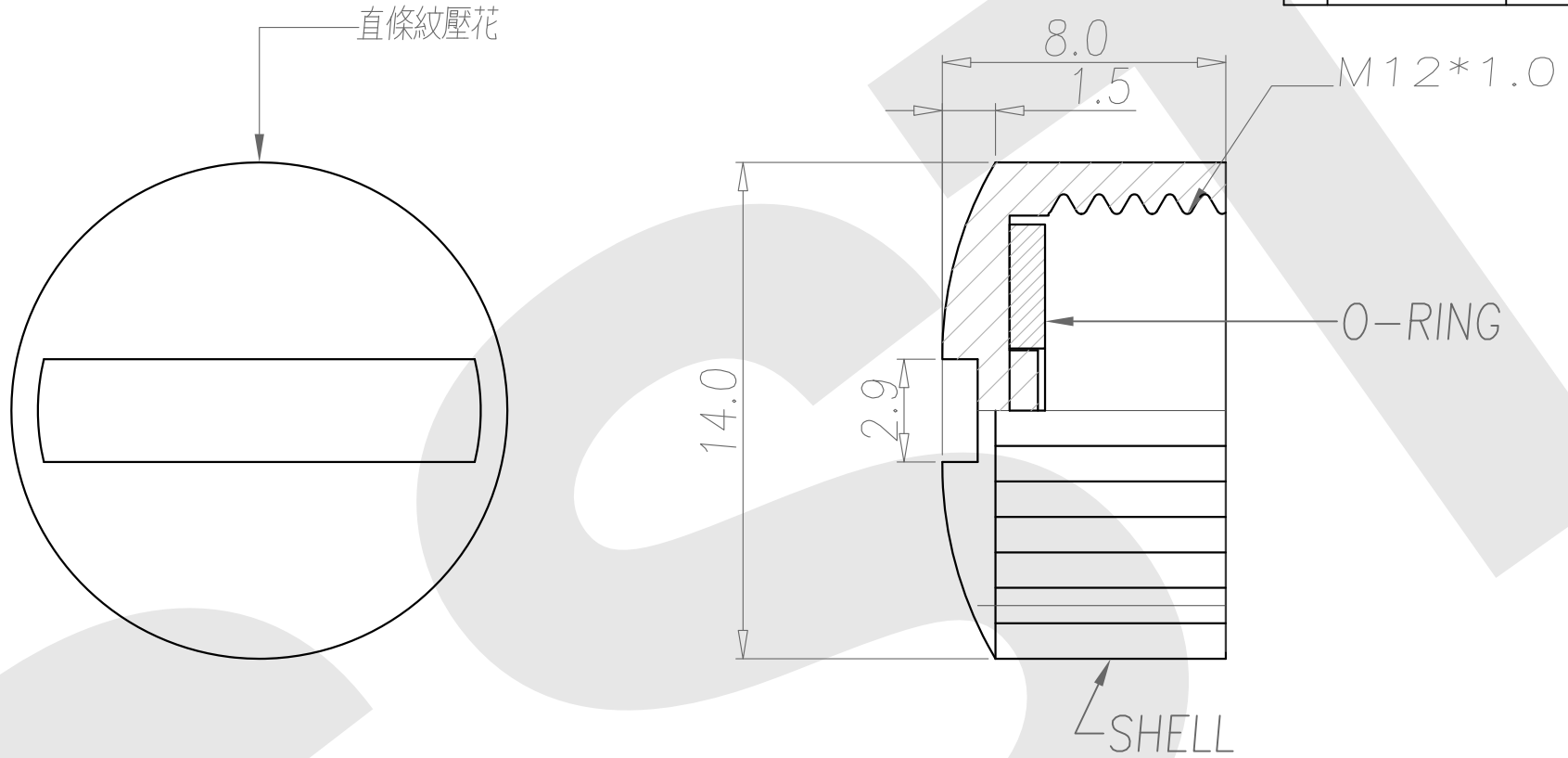


Rev	Revisions	Rev.Drawn	Date
A		Du	07/04/09



1. MATERIAL :
 - 1-1. SHELL : PBT UL94V-0 ; COLOR : BLACK
 - 1-2. O-RING : SILICON; COLOR : BLACK
2. FINISH :
 - 2-2. SHELL : PBT UL94V-0 ; COLOR : BLACK

SGS Report No.:		SST SOUTH SEA TERMINAL CO.,LTD		
		Customer:	Part No.: 12F-P-P-OSL-NT	
Title: M12 FEMALE DUST COVER TYPE				
Drawn By: Storm.Li	SCALE	SHEET	REV.	DWG NO.:
Checked By: du	1:1	1/1	A	/
Approved By: Tony	Thire angle Projection		Units	TOLERANCE:
General Dimesion Tolerance		mm		