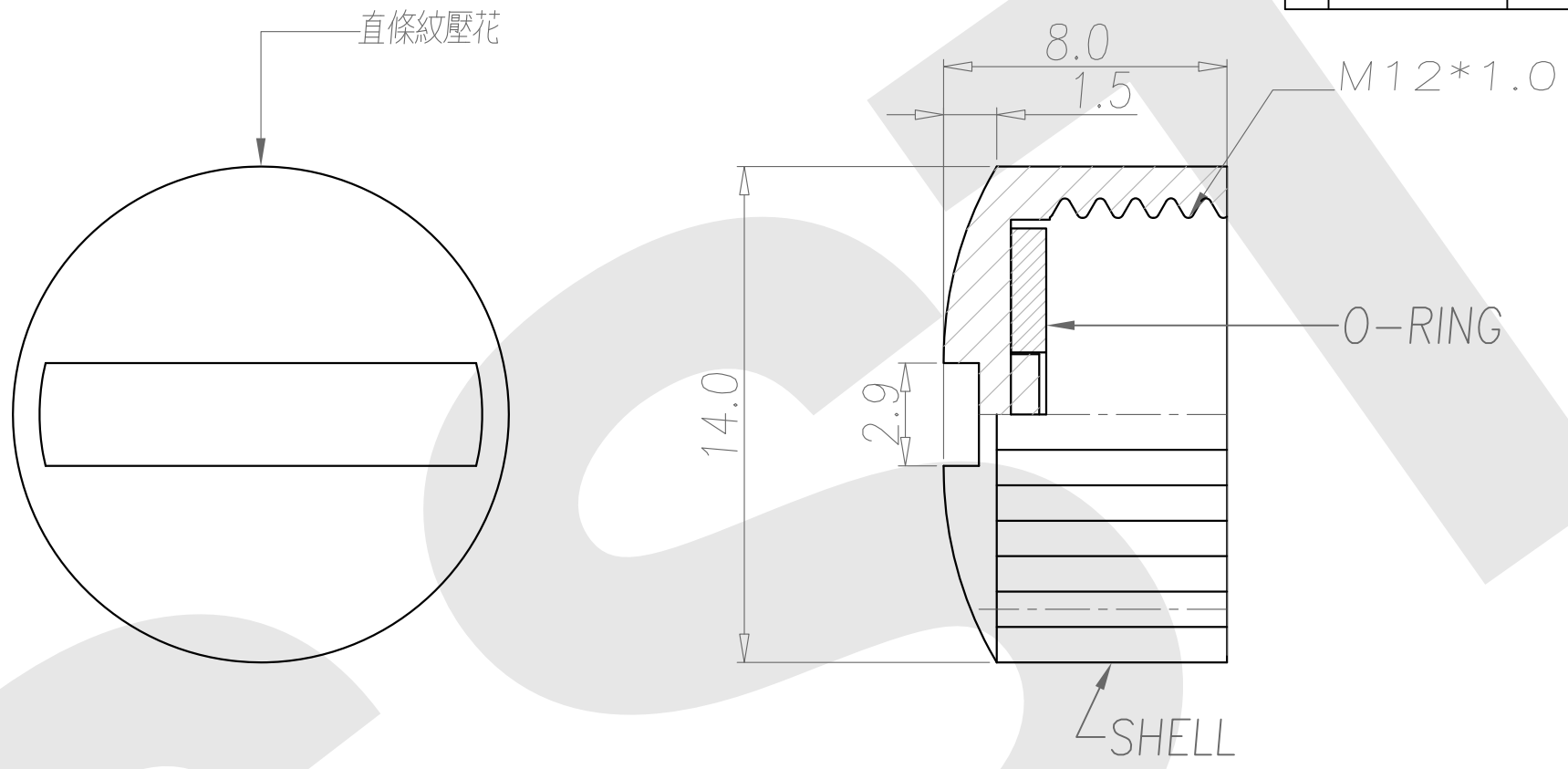


Rev	12	13	14
	Revisions	Rev.Drawn	Date
A		Du	07/04/09"



1. MATERIAL :
 - 1-1. SHELL : BRASS
 - 1-2. O-RING : SILICON; COLOR : BLACK
2. FINISH :
 - 2-2. SHELL : NICKEL PLATED 60u" ~ 100u"

SST		SOUTH SEA TERMINAL CO.,LTD	
SGS Report No.:	Customer:	Part No.: 12F-M-B-N-OSL-NT-1	
Title: M12 FEMALE DUST COVER TYPE			
Drawn By: Storm.Li	SCALE 1:1	SHEET 1/1	REV. A
Checked By: du	DWG NO.: /		TOLERANCE: .x ±0.20 .xx ±0.10 .xxx ±0.05 .xxxx ±0.03 ANGULA ±1°
Approved By: Tony	Thire angle Projection General Dimesion Tolerance		
	Units mm		