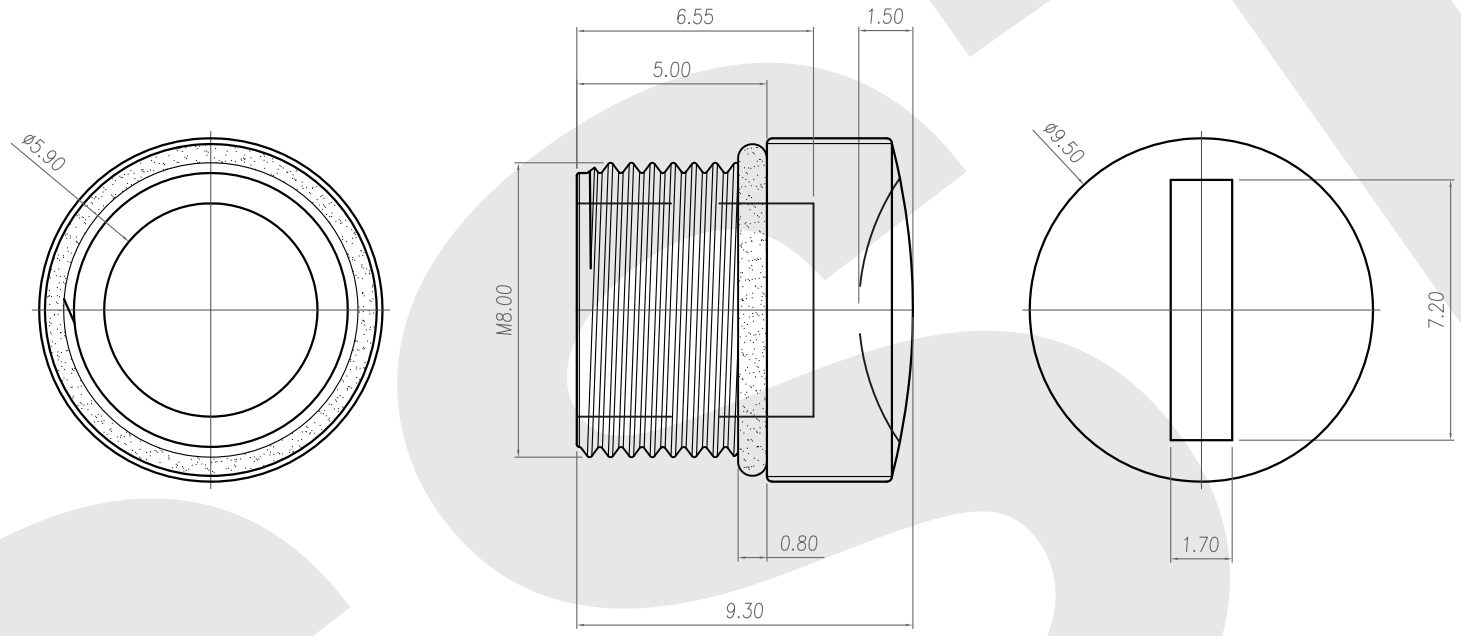


Rev	Revisions	Rev.Drawn	Date
A		Du	19/05/09'



- 1. MATERIAL :
  - 1-1. COVER : BRASS
  - 1-2. O-RING :NBR .COLOR:BLACK
- 2. FINISH :
  - 2-1. COVER : NICKEL PLATED OVER ALL

<b>SST SOUTH SEA TERMINAL CO.,LTD</b>					
SGS Report No.:		Customer:		Part No.:	
				8M-M-B-N-ONR-NT-1	
Title:M8 MALE DUST COVER					
Drawn By:Storm.Li	SCALE	SHEET	REV.	DWG NO.:	TOLERANCE: .x ±0.10 .xx ±0.05 .xxx ±0.03 .xxxx ±0.01 ANGULA ±1°
Checked By:du	1:1	1/1	A	/	
Approved By: Tony	Thire angle Projection		General Dimesion Tolerance		
					Units mm