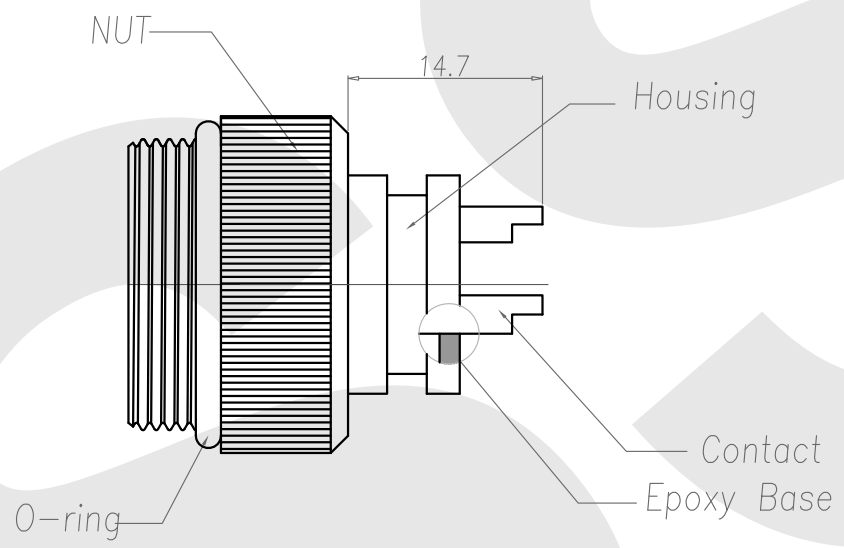
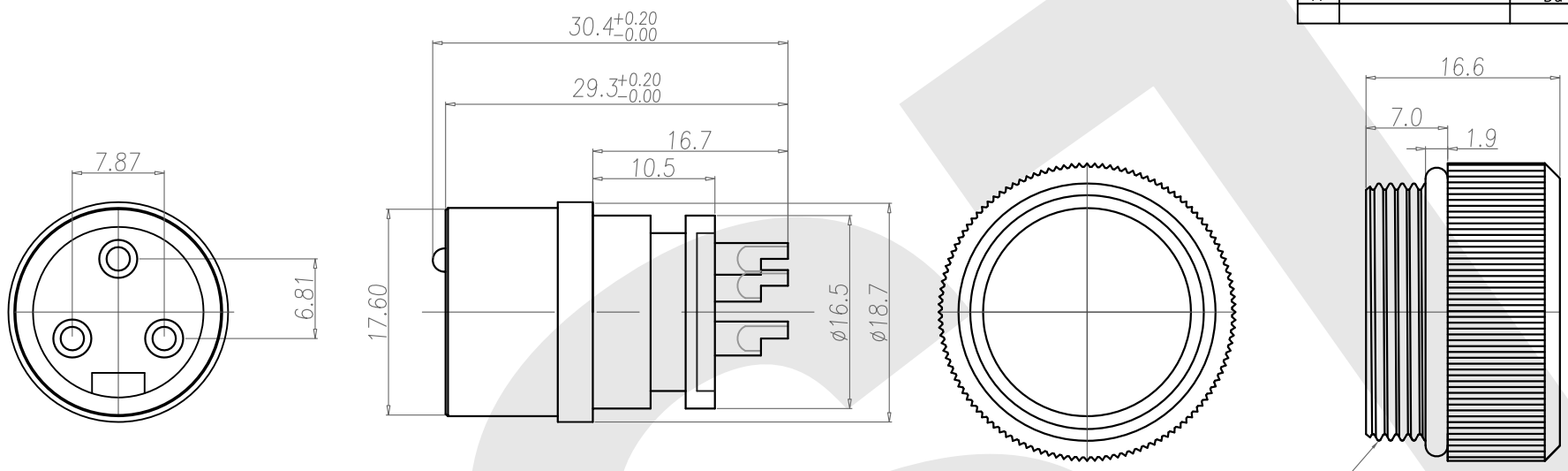


Rev	Revisions	Rev.Drawn	Date
A		Du	02.03.2011



1. MATERIAL :
 - 1-1. HOUSING : PBT UL94V-0 ; COLOR : YELLOW
 - 1-2. CONTACT : BRASS
 - 1-3. NUT: BRASS
 - 1-4. O-RING :NBR; COLOR : BLACK
 - 1-5. Epoxy Base : EF400A&EF400B.COLOR:BLACK
2. FINISH :
 - 2-1. CONTACT : 30 MICRO INCHES MIN. GOLD PLATED
UNDER PLATE : NICKEL
 - 2-2. SHELL : NICKEL PLATED
3. ELECTRICAL SPECIFICATION :
 - 3-1. Rated current : 20A
 - 3-2. Voltage :125V
 - 3-3. Water proof: IPX8
4. Environmental :
 - 4-1. Operation Temperature : -20 ℃~85℃

7/8-16UN2A

SST SOUTH SEA TERMINAL CO.,LTD

SGS Report No.:	Customer:	Part No.:
		7/8M3P-W-A-16.6-P-2-G30-B-N
Title: 7/8 MALE SOLDER TYPE for CABLE		
Drawn By: Storm.Li	SCALE	SHEET
Checked By: du	1:1	1/1
Approved By: Tony	REV. A	
Thire angle Projection		DWG NO.:
General Dimesion Tolerance		SST-110302-02
		TOLERANCE
		.x ±0.25
		.xx ±0.10
		.xxx ±0.05
		.xxxx ±0.03
		ANGULA ±1°
		Units
		mm