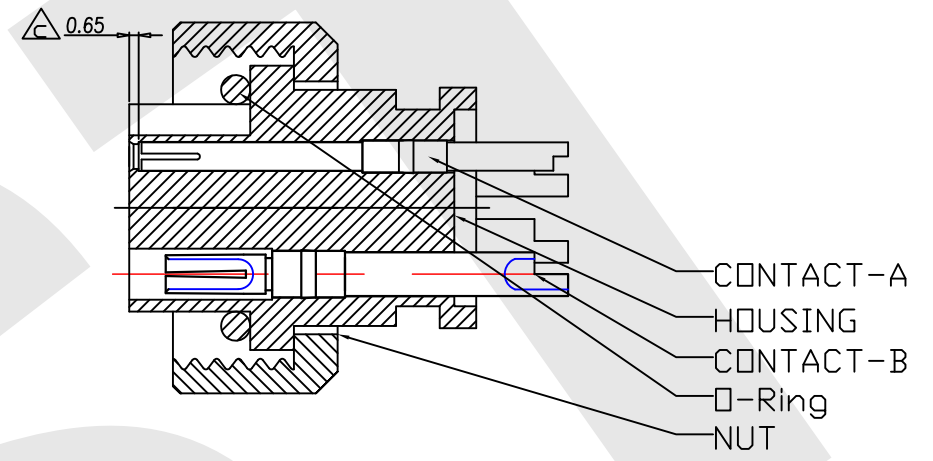
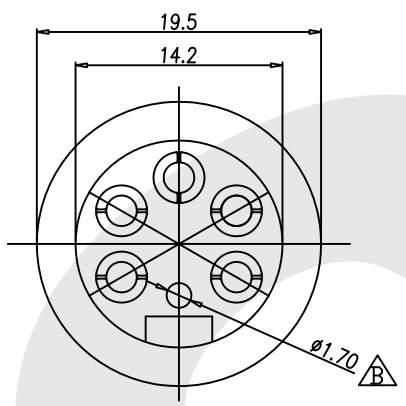
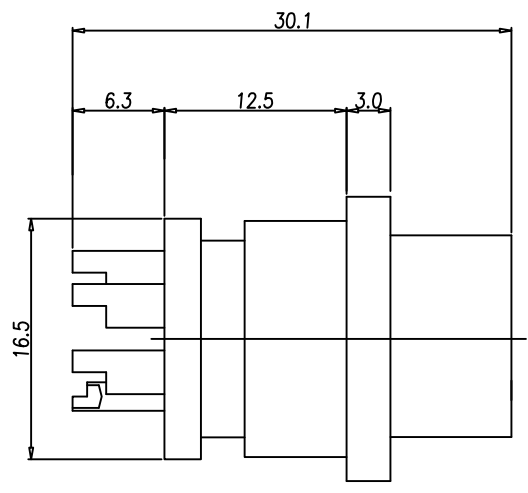
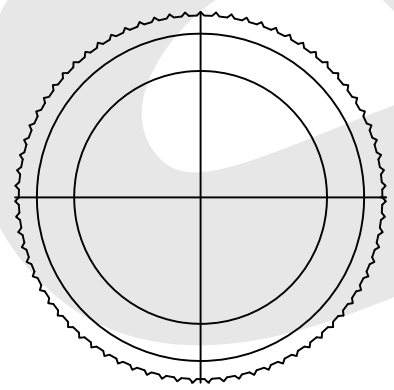


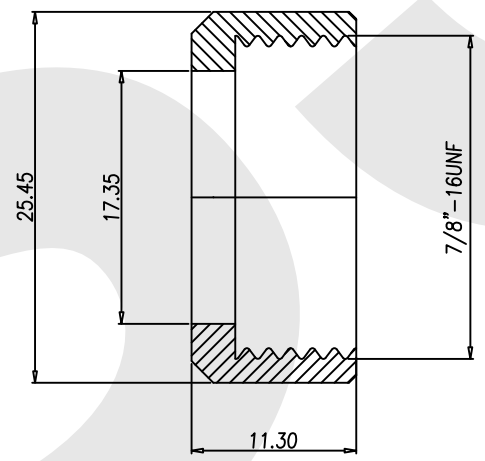
Rev	Revisions	Rev.Drawn	Date
A		Du	25.11.2008



1. MATERIAL :
  - 1-1. HOUSING : PBT UL94V-0 ; COLOR : YELLOW
  - 1-2. CONTACT A : BRASS
  - 1-3. CONTACT B : BRASS
  - 1-4. NUT : BRASS
  - 1-5. O-RING :NBR; COLOR : BLACK
2. FINISH :
  - 2-1. CONTACT A : GOLD FLASH OVER ALL  $\triangle B$
  - 2-2. CONTACT B : GOLD FLASH OVER ALL
  - 2-3. NUT : NICKEL PLATED OVER ALL
3. ELECTRICAL SPECIFICATION :
  - 3-1. Rated current : 20A
  - 3-2. Rated vltage :125V
  - 3-3. Water proof: IPX7
4. Environmental :
  - 4-1. Operation Temperature : -20 °C~85°C



NUT



**SST** SOUTH SEA TERMINAL CO.,LTD

SGS Report No.:	Customer:	Part No.:
		7/8F5+1P-W-A-11.3-P-2-GF-B-N
Title: 7/8 FEMALE SOLDER TYPE for CABLE (SIGNAL)		
Drawn By: Storm.Li	SCALE	SHEET
Checked By: du	1:1	1/1
Approved By: Tony	REV.	A
	DWG NO.:	SST-081125-01
	TOLERANCE:	X. ±2MM
		.X ±0.25MM
		.XX ±0.1MM
		.XXX±0.1MM
	Third angle Projection	Units
	General Dimension Tolerance	mm