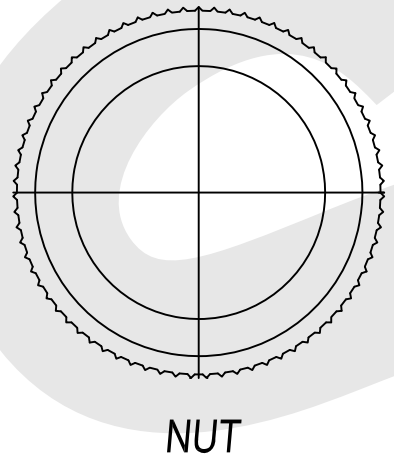
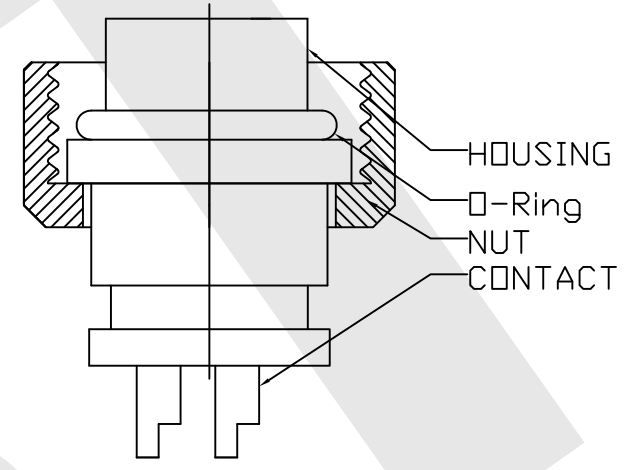
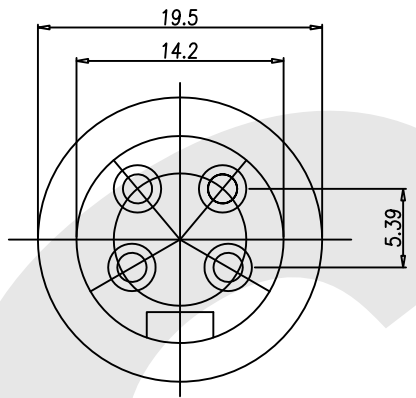
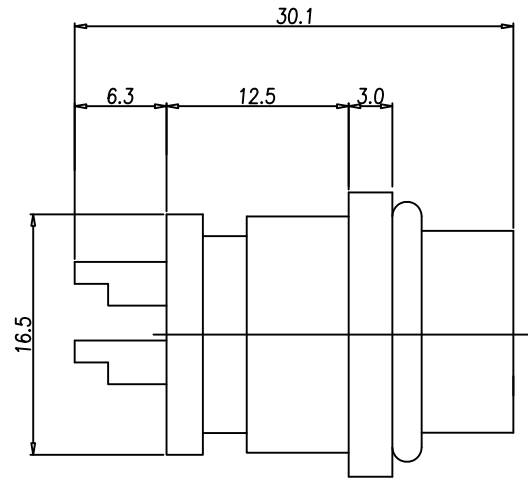
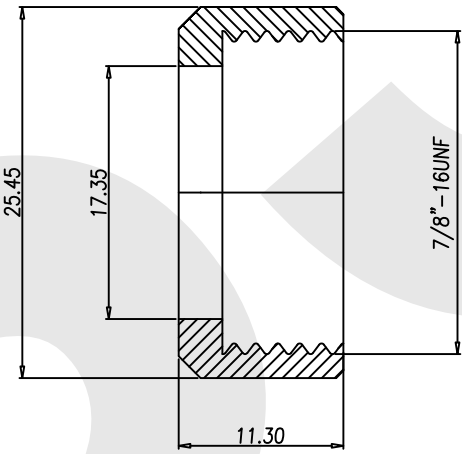


Rev	Revisions	Rev.Drawn	Date
A		Du	25.11.2008



NUT



1. MATERIAL :
 - 1-1. HOUSING : PBT UL94V-0 ; COLOR : YELLOW
 - 1-2. CONTACT A : BRASS
 - 1-3. NUT : BRASS
 - 1-4. O-RING :NBR; COLOR : BLACK
2. FINISH :
 - 2-1. CONTACT : 30 MICRO INCHES MIN. GOLD PLATED
 - 2-2. NUT : NICKEL PLATED OVER ALL
3. ELECTRICAL SPECIFICATION :
 - 3-1. Rated current : 20A
 - 3-2. Rated oltage :125V
 - 3-3. Water proof: IPX7
4. Environmental :
 - 4-1. Operation Temperature : -20 °C~85°C

SST SOUTH SEA TERMINAL CO.,LTD

SGS Report No.:	Customer:	Part No.:
		7/8F4P-W-A-11.3-P-2-G30-B-N
Title: 7/8 FEMALE SOLDER TYPE for CABLE		
Drawn By: Storm.Li	SCALE	SHEET
Checked By: du	1:1	1/1
Approved By: Tony	Thire angle Projection	REV. A
	General Dimesion Tolerance	DWG NO.:
		SST-081125-01
		TOLERANCE:
		X. ±2MM
		.X ±0.25MM
		.XX ±0.1MM
		.XXX±0.1MM
	Units	
	mm	