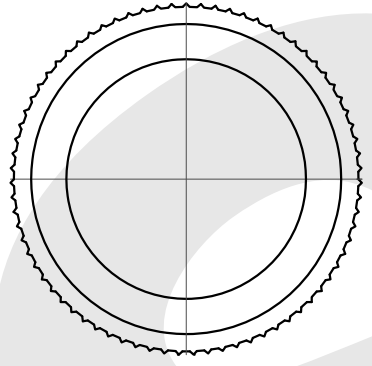
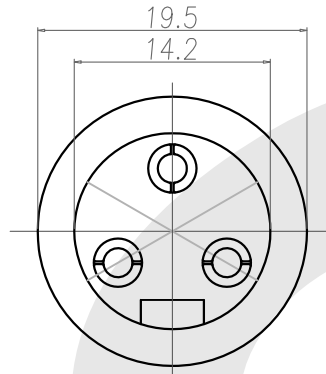
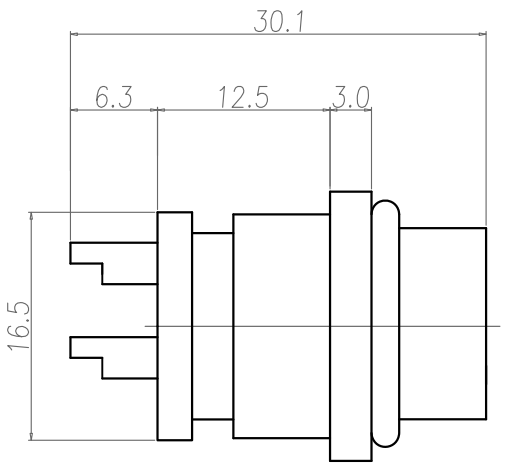
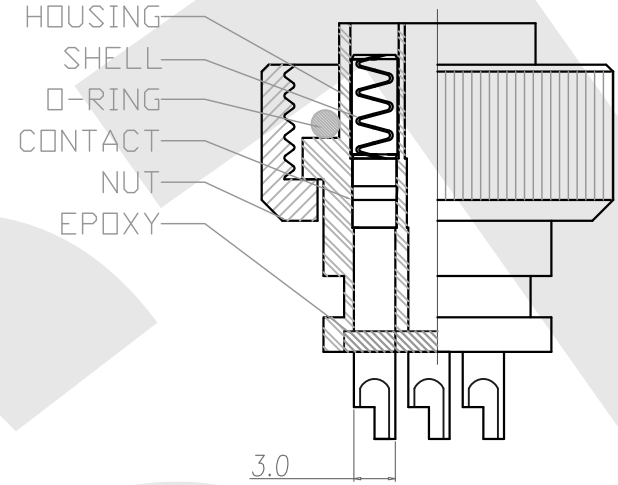
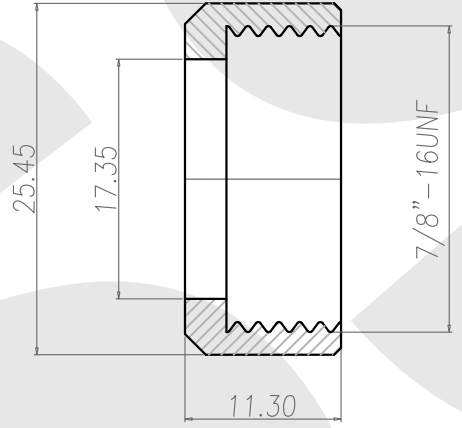


Rev	Revisions	Rev.Drawn	Date
A		Du	25.11.2008



NUT



1. MATERIAL :
 - 1-1. HOUSING : PBT UL94V-0 ; COLOR : YELLOW
 - 1-2. CONTACT : BRASS
 - 1-3. SHELL : BRASS
 - 1-4. NUT : BRASS
 - 1-5. Epoxy Base : EF400A&EF400B. COLOR : BLACK
 - 1-6. O-RING : NBR
2. FINISH :
 - 2-1. CONTACT : 30 MICRO INCHES MIN. GOLD PLATED
UNDER PLATE : NICKEL
 - 2-2. SHELL : MATTE TIN PLATED
 - 2-3. NUT : NICKEL PLATED
3. ELECTRICAL SPECIFICATION :
 - 3-1. Rated current : 20A
 - 3-2. Voltage :125V
 - 3-3. Water proof: IPX8
4. Environmental :
 - 4-1. Operation Temperature : -20 °C~85°C

SST SOUTH SEA TERMINAL CO.,LTD

SGS Report No.:	Customer:	Part No.:
		7/8F3P-W-A-11.3-P-2-630-B-N
Title: 7/8 FEMALE SOLDER TYPE for CABLE		
Drawn By: Storm.Li	SCALE	SHEET
Checked By: du	1:1	1/1
Approved By: Tony	REV.	A
	DWG NO.:	SST-081125-01
	TOLERANCE:	X. ±2MM .X ±0.25MM .XX ±0.1MM .XXX±0.1MM
	Third angle Projection	Units
	General Dimension Tolerance	mm