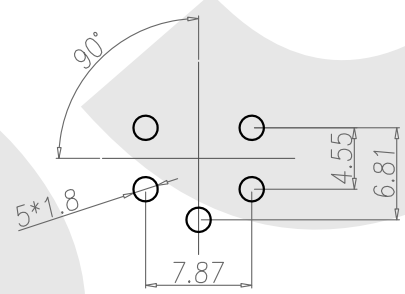
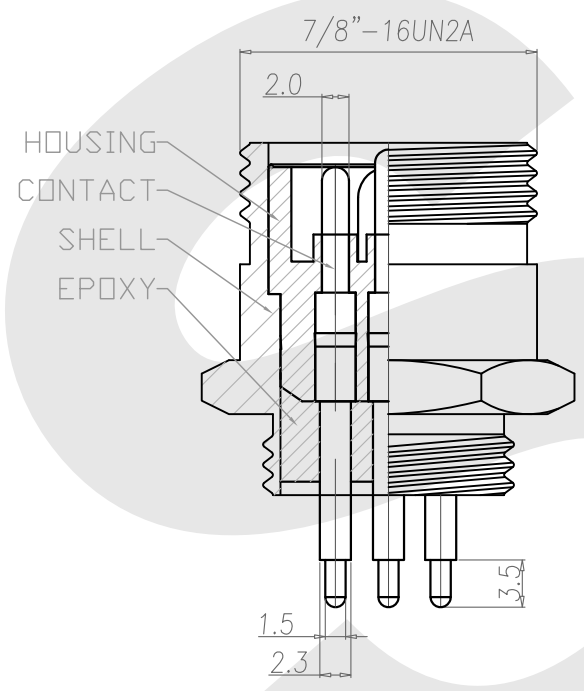
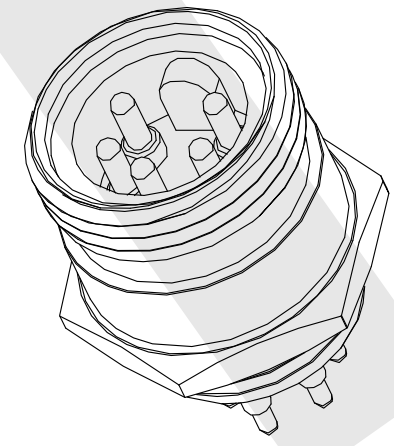
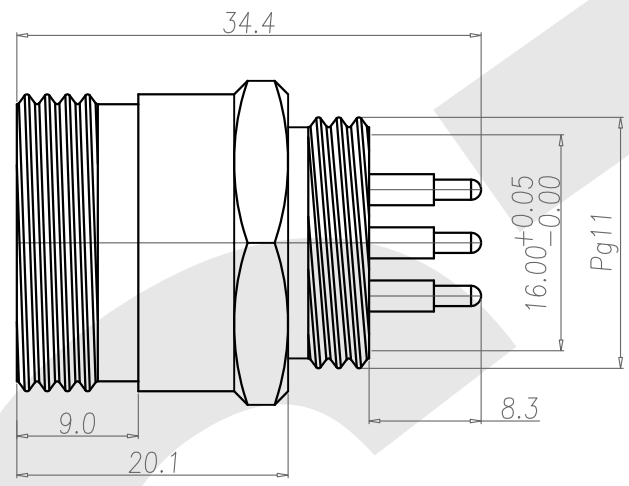
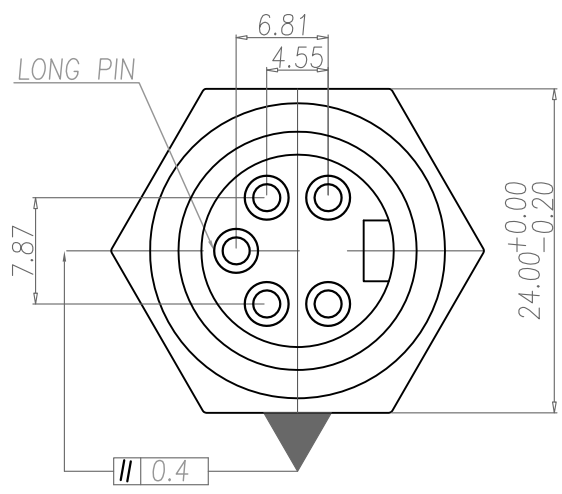


Rev	Revisions	Rev.Drawn	Date
A		Du	25.11.2008



1. MATERIAL :
  - 1-1. HOUSING : PBT UL94V-0 ; COLOR : YELLOW
  - 1-2. CONTACT : BRASS
  - 1-3. SHELL : BRASS
  - 1-4. Epoxy Base :EF400A&EF400B.COLOR:BLACK
2. FINISH :
  - 2-1. CONTACT : 30 MICRO INCHES MIN. GOLD PLATED  
UNDER PLATE : NICKEL
  - 2-2. SHELL : NICKEL PLATED
3. ELECTRICAL SPECIFICATION :
  - 3-1. Rated current : 20A
  - 3-2. Voltage :125V
  - 3-3. Water proof: IPX8
4. Environmental :
  - 4-1. Operation Temperature : -20 ℃~85℃

**SST** SOUTH SEA TERMINAL CO.,LTD

SGS Report No.:	Customer:	Part No.:
		7/8MSP-B-A-BL-PG11-C-D-G30-B-N
Title: 7/8 MALE DIP TYPE BACK LOCK for BOARD		
Drawn By: Storm.Li	SCALE	SHEET
Checked By: du	1:1	1/1
Approved By: Tony	REV.	A
	DWG NO.:	SST-081125-01
	TOLERANCE:	X. ±2MM .X ±0.25MM .XX ±0.1MM .XXX±0.1MM
	Third angle Projection	Units
	General Dimension Tolerance	mm