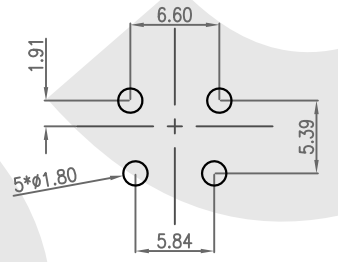
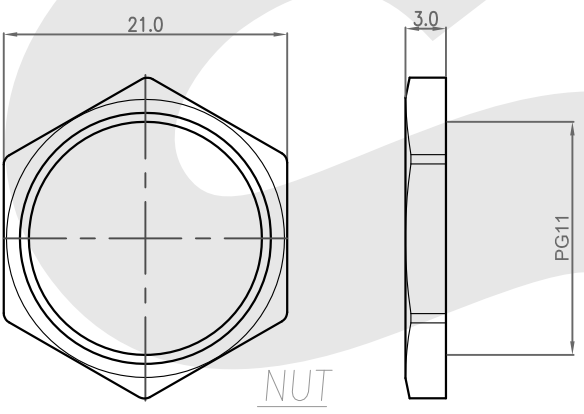
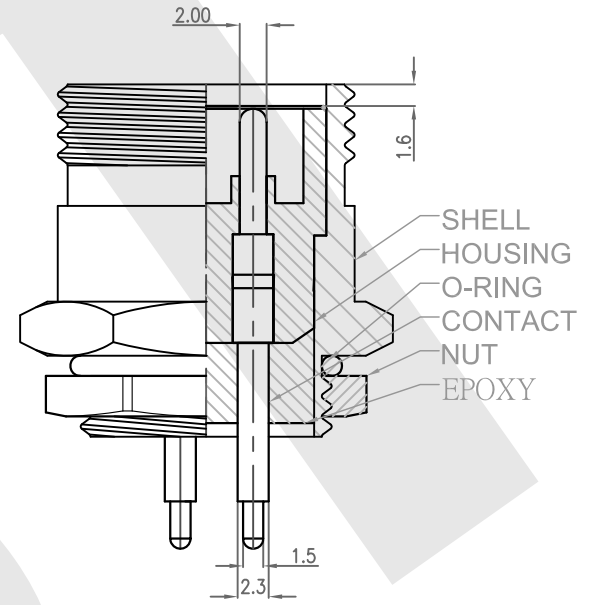
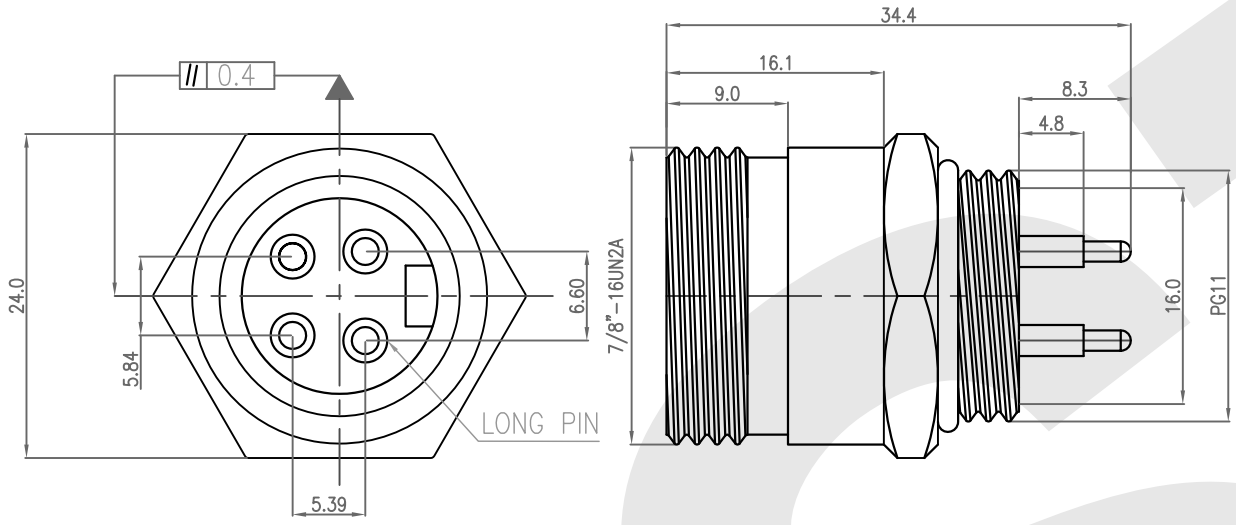


Rev	Revisions	Rev.Drawn	Date
A		Du	25.11.2008



- MATERIAL :**
  - 1-1. HOUSING : PBT UL94V-0 ; COLOR : YELLOW
  - 1-2. CONTACT : BRASS
  - 1-3. O-RING : NBR ; COLOR : BLACK
  - 1-4. SHELL : BRASS.
  - 1-5. NUT : BRASS
  - 1-6. Epoxy Base :EF400A&EF400B.COLOR:BLACK
- FINISH :**
  - 2-1. CONTACT : 30 MICRO INCHES MIN. GOLD PLATED  
UNDER PLATE : NICKEL
  - 2-2. NUT : NICKEL PLATED.
  - 2-3. SHELL : NICKEL PLATED.
- ELECTRICAL SPECIFICATION :**
  - 3-1. Rated current : 20A
  - 3-2. Voltage :125V
  - 3-3. Water proof: IPX8
- Environmental :**
  - 4-1. Operation Temperature : -20 ℃~85℃

RECOMMEND P.C.B LAYOUT

**SST SOUTH SEA TERMINAL CO.,LTD**

SGS Report No.:	Customer:	Part No.:
		7/8MAP-B-A-BL-PG11-C-D-G30-B-N
Title: 7/8 MALE DIP TYPE BACK LOCK for BOARD		
Drawn By: Storm.Li	SCALE	SHEET
Checked By: du	1:1	1/1
Approved By: Tony	REV.	A
	DWG NO.:	SST-081125-01
	TOLERANCE:	X. ±2MM
		.X ±0.25MM
		.XX ±0.1MM
		.XXX±0.1MM
	Third angle Projection	Units
	General Dimension Tolerance	mm