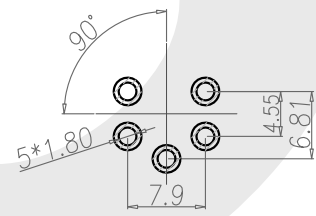
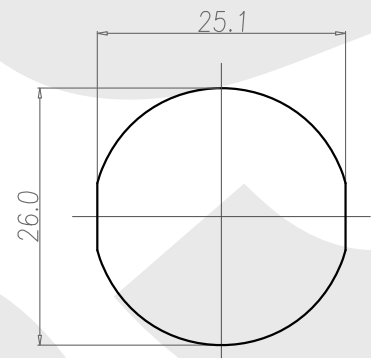
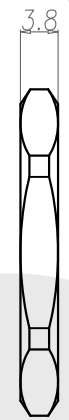
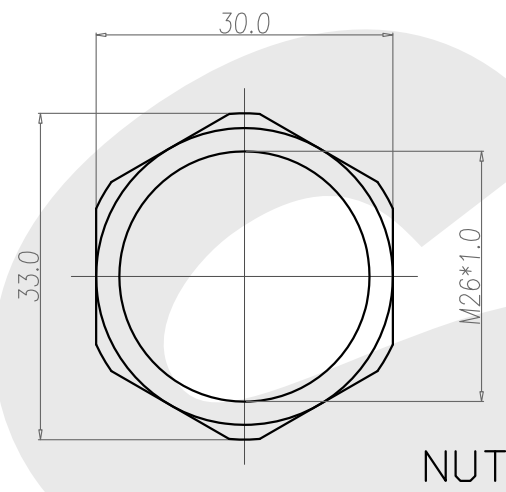
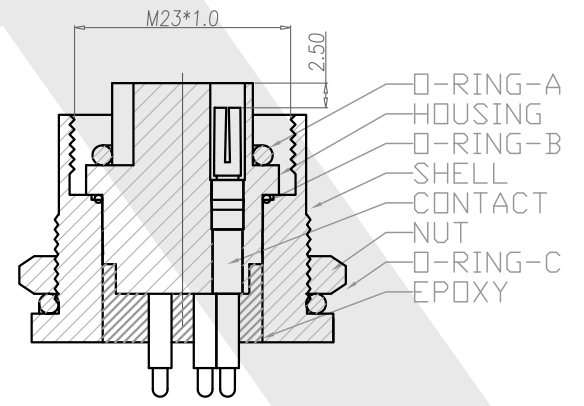
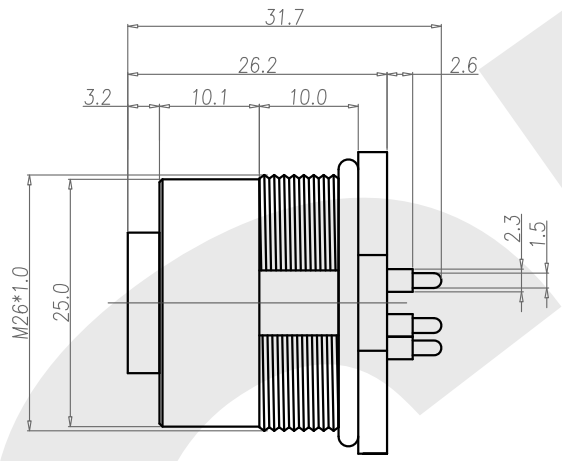
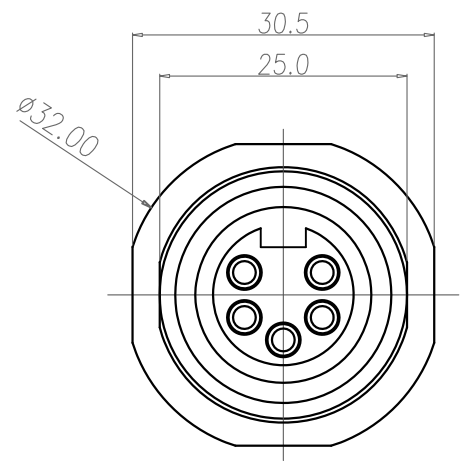


Rev	Revisions	Rev.Drawn	Date
A		Du	06,May,2011



- MATERIAL :**
 - HOUSING : PBT UL94V-0 ; COLOR : YELLOW
 - CONTACT : BRASS
 - SHELL : ALUMINUM
 - NUT : ALUMINUM
 - O-RING-A : NBR; COLOR : BLACK
 - O-RING-B : NBR; COLOR : BLACK
 - O-RING-C : NBR; COLOR : BLACK
 - Epoxy Base : EF400A&EF400B.COLOR:BLACK
- FINISH :**
 - CONTACT : 30 MICRO INCHES MIN. GOLD PLATED
 - SHELL : NICKEL PLATED OVER ALL
 - NUT : NICKEL PLATED OVER ALL
- ELECTRICAL SPECIFICATION :**
 - Rated current : 20A
 - Rated voltage : 125V
 - Water proof: IPX7
- Environmental :**
 - Operation Temperature : -20 °C~85°C

SST SOUTH SEA TERMINAL CO.,LTD

SGS Report No.:	Customer:	Part No.:
		23F5P-B-A-FL-26x1.0-D-D-G30-B-N
Title: M23 FEMALE DIP TYPE FRONT LOCK for BOARD		
Drawn By: Storm.Li	SCALE	SHEET
Checked By: du	1:1	1/1
Approved By: Tony	REV.	A
	DWG NO.:	SST-110506-10
	Third angle Projection	
	General Dimension Tolerance	
	Units	mm
	TOLERANCE	.x ±0.20
		.xx ±0.10
		.xxx ±0.05
		.xxxx ±0.03
		ANGULA ±1°