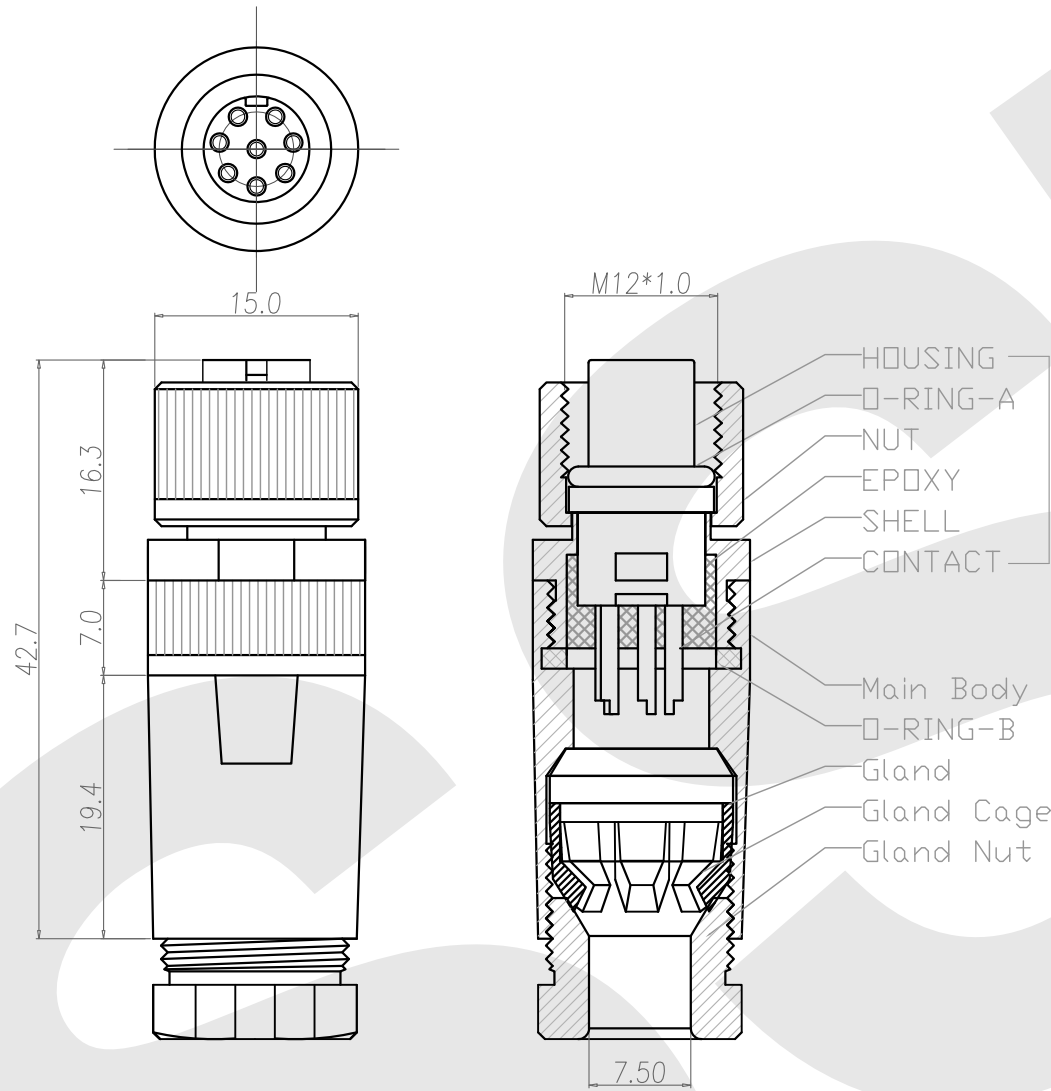


Rev	Revisions	Rev.Drawn	Date
A		Du	



**1. MATERIAL :**

- 1-1.
- a. HOUSING : PBT UL94V-0 ; COLOR : BLACK.
  - b. CONTACT : BRASS
  - c. NUT : ALUMINUM ALLOY
  - d. SHELL : ALUMINUM ALLOY
  - e. O-RING A : EPDM ; COLOR : BLACK
  - f. Epoxy Base : EF400A&EF400B. COLOR : BLACK.

- 1-2. Main Body : ALUMINUM ALLOY
- 1-3. Gland : SILICONE COLOR : BLACK.
- 1-4. Gland Cage : POM ; COLOR : WHITE
- 1-5. Gland Nut : ALUMINUM ALLOY
- 1-6. O-RING B : SILICON ; COLOR : BLACK

**2. FINISH :**

- 2-1.
- a. CONTACT : GOLD FLASH MICRO INCHES MIN. UNDER PLATE : NICKEL.
  - b. NUT : SATING Ni PLATED.
  - c. SHELL : SATING Ni PLATED.

- 2-2. Main Body : SATING Ni PLATED.
- 2-3. Gland Nut : SATING Ni PLATED.

**3. ELECTRICAL SPECIFICATION :**

- 3-1. Rated current : 5A
- 3-2. Rated Voltage : 125V
- 3-3. Water proof : IPX7

**4. Environmental :**

- 4-1. Operation Temperature : -20 ℃~85℃

**SST SOUTH SEA TERMINAL CO.,LTD**

SGS Report No.:	Customer:	Part No.:
	12F8P-W-A-M-2-GF-AA-SN-A-2	
Title:M12 FEMALE ASSEMBLING SOLDER TYPE for CABLE		
Drawn By:Storm.Li	SCALE	SHEET
Checked By:du	1:1	1/1
Approved By: Tony	REV.	A
	DWG NO.:	/
	Third angle Projection	Units
	General Dimesion Tolerance	mm
		TOLERANCE:
		.x ±0.20
		.xx ±0.10
		.xxx ±0.05
		.xxxx ±0.03
		ANGULA ±1*