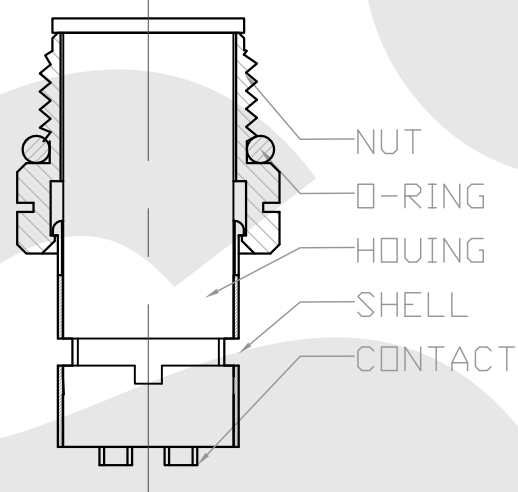
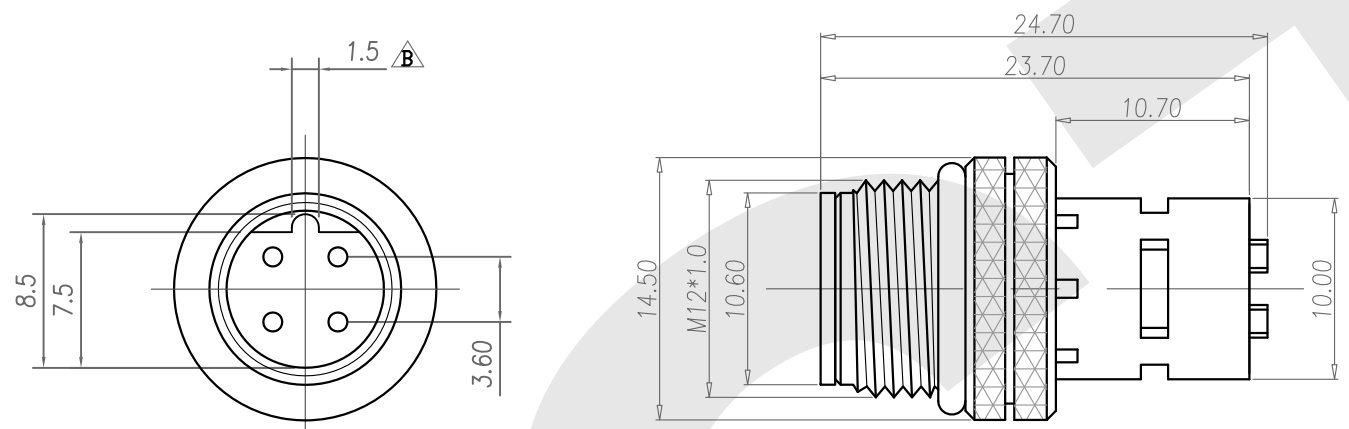


Rev	Revisions	Rev.Drawn	Date
A		Du	04/01/13*



1. MATERIAL :
 - 1-1. HOUSING : PBT UL94V-0 ; COLOR : BLACK
 - 1-2. CONTACT : BRASS
 - 1-3. NUT : BRASS
 - 1-4. O-RING : EPDM ; COLOR : BLACK
 - 1-5. SHELL : BRASS
2. FINISH :
 - 2-1. CONTACT : 10 MICRO INCHES MIN. GOLD PLATED
UNDER PLATE : NICKEL
 - 2-2. NUT : NICKEL PLATED.
 - 2-3. SHELL : BRIGHT TIN PLATED.
3. ELECTRICAL SPECIFICATION :
 - 3-1. Rated current : 5A
 - 3-2. Rated Voltage : 125V
 - 3-3. Water proof : IPX7
4. Environmental :
 - 4-1. Operation Temperature : -20°C~85°C

NUT
O-RING
HOUSING
SHELL
CONTACT

SST SOUTH SEA TERMINAL CO.,LTD

SGS Report No.:	Customer:	Part No.:	
			12M4P-W-B-13.0-M-1-G10-B-N
Title: M12 MALE SOLDER TYPE for CABLE (GROUND/B CODE)			
Drawn By: Storm.Li	SCALE	SHEET	REV.
Checked By: du	1:1	1/1	A
Approved By: Tony	DWG NO.:		TOLERANCE:
Thire angle Projection		Units	.x ±0.20
General Dimesion Tolerance			.xx ±0.10
		mm	.xxx ±0.05
			.xxxx ±0.03
			ANGULA ±1*