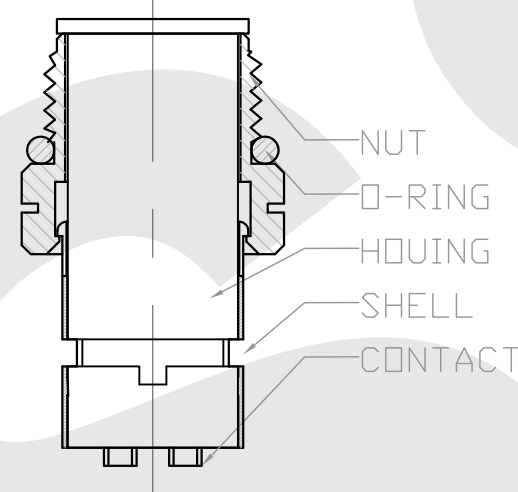
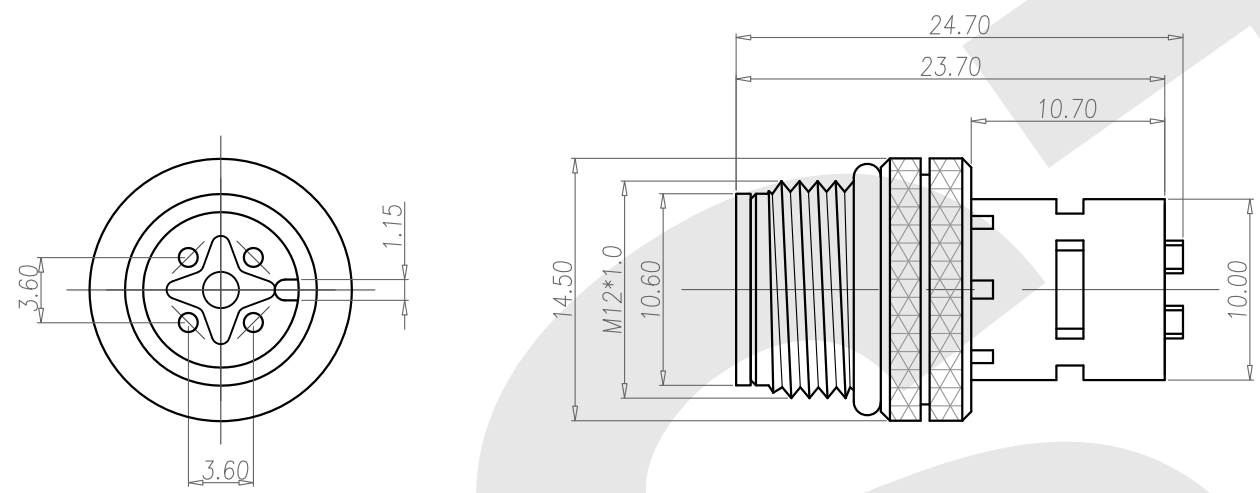


Rev	Revisions	Rev.Drawn	Date
A		Du	06/05/13*



1. MATERIAL :
 - 1-1. HOUSING : PBT UL94V-0 ; COLOR : BLACK
 - 1-2. CONTACT : BRASS
 - 1-3. NUT : BRASS
 - 1-4. O-RING : EPDM ; COLOR : BLACK
 - 1-5. SHELL : BRASS
2. FINISH :
 - 2-1. CONTACT : 10 MICRO INCHES MIN. GOLD PLATED UNDER PLATE : NICKEL
 - 2-2. NUT : NICKEL PLATED.
 - 2-3. SHELL : BRIGHT TIN PLATED.
3. ELECTRICAL SPECIFICATION :
 - 3-1. Rated current : 5A
 - 3-2. Rated Voltage : 125V
 - 3-3. Water proof : IPX7
4. Environmental :
 - 4-1. Operation Temperature : -20℃~85℃

SST SOUTH SEA TERMINAL CO.,LTD

SGS Report No.:	Customer:		Part No.:	
			12M4P-W-A-13.0-M-1-G10-B-N-5	
Title: M12 MALE SOLDER TYPE for CABLE (GROUND)				
Drawn By: Storm.Li	SCALE	SHEET	REV.	DWG NO.:
Checked By: du	1:1	1/1	A	/
Approved By: Tony	Thire angle Projection		Units mm	TOLERANCE: .x ±0.20 .xx ±0.10 .xxx ±0.05 .xxxx ±0.03 ANGULA ±1*
General Dimension Tolerance				