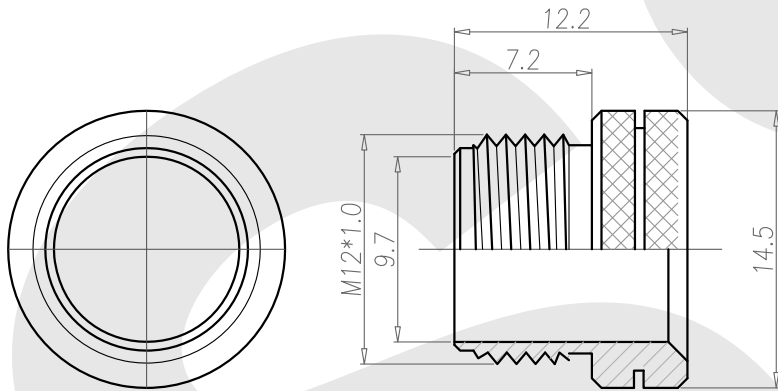
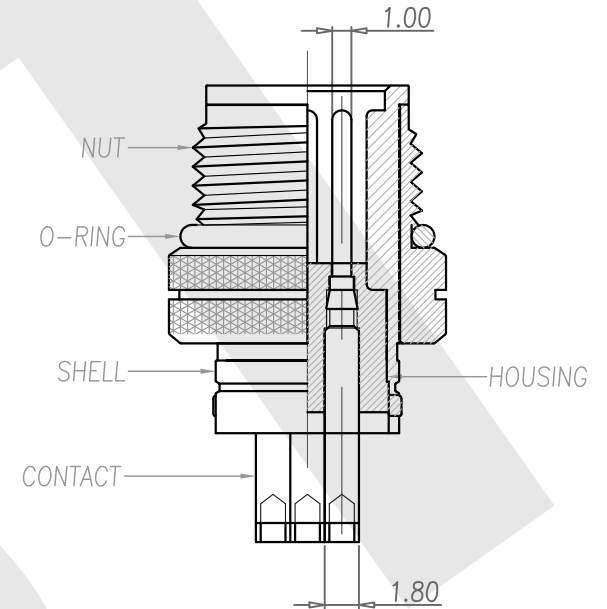
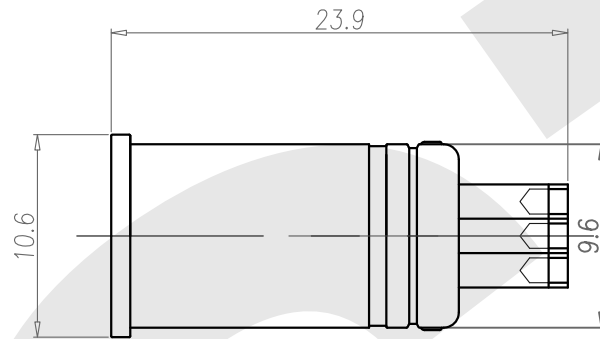
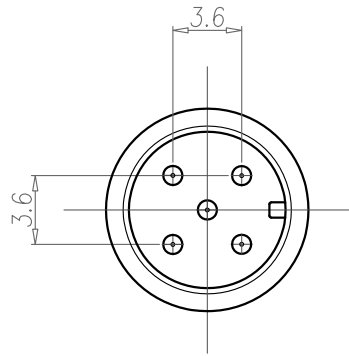
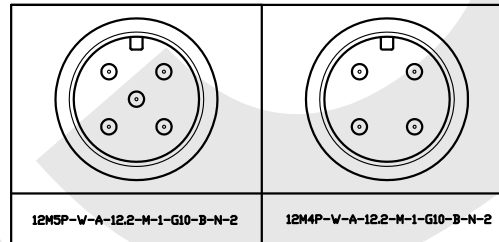


11	12	13	14
Rev	Revisions	Rev.Drawn	Date
A		Du	26/04/11"



NUT



1. MATERIAL :
 - 1-1. HOUSING : PBT UL94V-0 ; COLOR : BLACK
 - 1-2. CONTACT : BRASS
 - 1-3. SHELL:Zn ALLOY
 - 1-4. NUT : BRASS
 - 1-5. O-RING :NBR; COLOR : BLACK
2. FINISH :
 - 2-1. CONTACT :10 MICRO INCHES MIN. GOLD PLATING OVER NICKEL
 - 2-2. SHELL:160 MICRO INCHES MIN. TIN PLATING OVER NICKEL
 - 2-3. NUT : NICKEL PLATED 60u" ~ 100u" OVER ALL
3. ELECTRICAL SPECIFICATION :
 - 3-1. Rated current : 5A
 - 3-2. Voltage :125V
 - 3-3. Water proof: IPX7
4. Environmental :
 - 4-1. Operation Temperature : -20 ~85℃

SST SOUTH SEA TERMINAL CO.,LTD

SGS Report No.:	Customer:	Part No.:
		12M5P-W-A-12.2-M-1-G10-B-N-2
Title:M12 MALE SOLDER TYPE for CABLE (GROUND)		
Drawn By:Storm.Li	SCALE	SHEET
Checked By:du	1:1	1/1
Approved By:Tony	REV.	A
	DWG NO.:	/
	Third angle Projection	Units
	General Dimension Tolerance	mm
		TOLERANCE:
		.x ±0.20
		.xx ±0.10
		.xxx ±0.05
		.xxxx ±0.03
		ANGULA ±1*