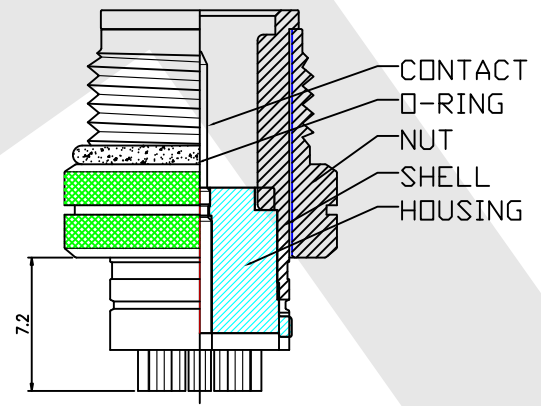
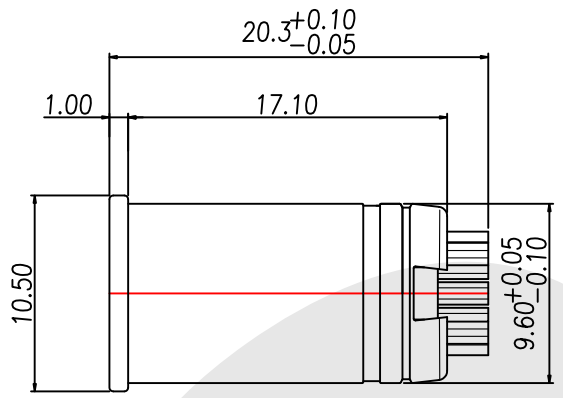
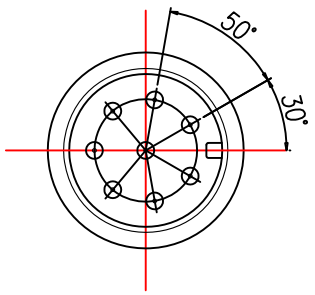
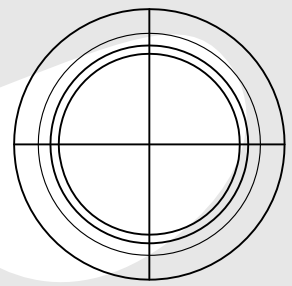


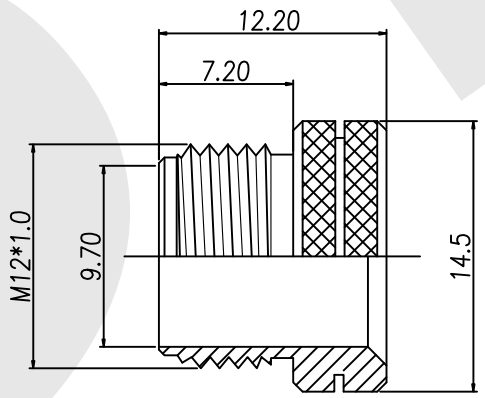
Rev	Revisions	Rev.Drawn	Date
A		Du	25.11.2008



1. MATERIAL :
 - 1-1. HOUSING : PBT UL94V-0 ; COLOR : BLACK
 - 1-2. CONTACT : BRASS
 - 1-3. NUT: BRASS
 - 1-4. SHELL : ZINC ALLOY
 - 1-5. O-RING : EPDM ; COLOR : BLACK
2. FINISH :
 - 2-1. CONTACT : 10 MICRO INCHES MIN. GOLD PLATED
UNDER PLATE : NICKEL
 - 2-2. NUT : NICKEL PLATED
 - 2-3. SHELL : BRIGHT TIN
3. ELECTRICAL SPECIFICATION :
 - 3-1. Rated current : 5A
 - 3-2. Rated Voltage : 125V
 - 3-3. Water proof: IPX8
4. Environmental :
 - 4-1. Operation Temperature : -40 °C~85°C



NUT



SGS Report No.:		Customer:		Part No.:	
				12M8P-W-A-12.2-M-1-G10-B-N-1	
Title: M12 MALE SOLDER TYPE for CABLE (GROUND)					
Drawn By: Storm.Li	SCALE	SHEET	REV.	DWG NO.:	TOLERANCE:
Checked By: du	1:1	1/1	A	SST-081125-01	X. ±2MM .X ±0.25MM .XX ±0.1MM .XXX±0.1MM
Approved By: Tony	Thire angle Projection General Dimension Tolerance			Units mm	