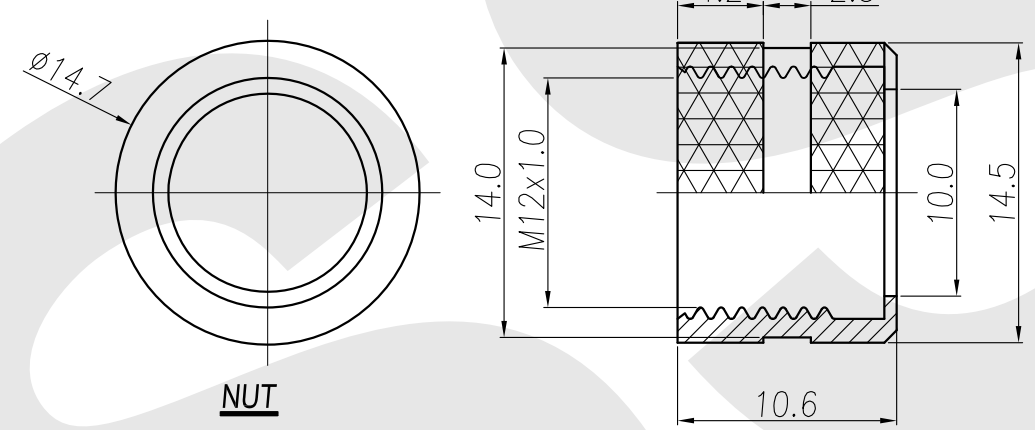
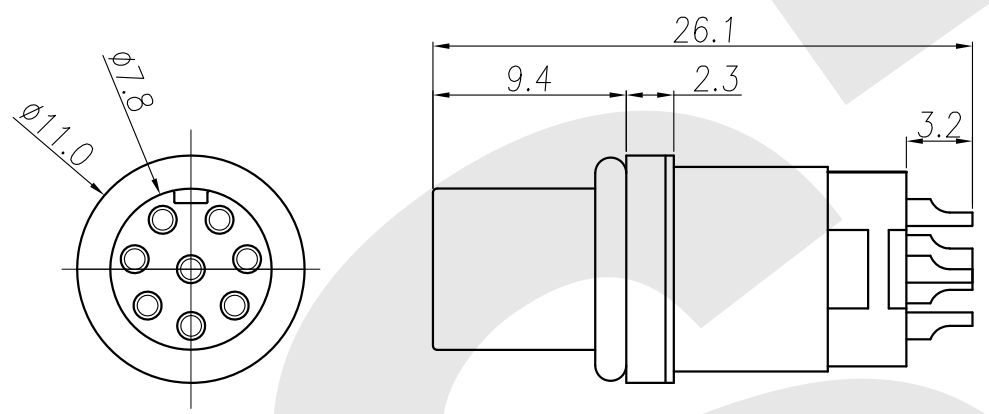


Rev	Revisions	Rev.Drawn	Date
A		Du	11/04/13*



1. MATERIAL :
 - 1-1. HOUSING : PBT UL94V-0 ; COLOR : BLACK
 - 1-2. CONTACT : BRASS
 - 1-3. NUT : BRASS
 - 1-4. O-RING : EPDM ; COLOR : BLACK
 - 1-5. SHELL : BRASS
2. FINISH :
 - 2-1. CONTACT : GOLD FLASH.
 - UNDER PLATE : NICKEL
 - 2-2. NUT : NICKEL PLATED .
 - 2-3. SHELL : NICKEL PLATED .
3. ELECTRICAL SPECIFICATION :
 - 3-1. Rated current : 5A
 - 3-2. Rated Voltage :125V
 - 3-3. Water proof: IPX7
4. Environmental :
 - 4-1. Operation Temperature : -40°C~85°C

SST SOUTH SEA TERMINAL CO.,LTD					
SGS Report No.:		Customer:		Part No.:	
				12F8P-W-A-10.6-M-1-GF-B-N-3	
Title: M12 FEMALE SOLDER TYPE for CABLE (GROUND)					
Drawn By: Storm.Li	SCALE	SHEET	REV.	DWG NO.:	TOLERANCE:
Checked By: du	1:1	1/1	A	/	.x ±0.20
Approved By: Tony	Third angle Projection			Units mm	.xx ±0.10
	General Dimension Tolerance				.xxx ±0.05
					.xxxx ±0.03
					ANGULA ±1*