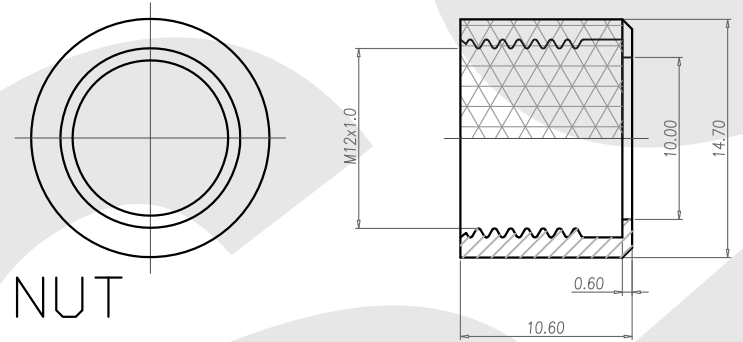
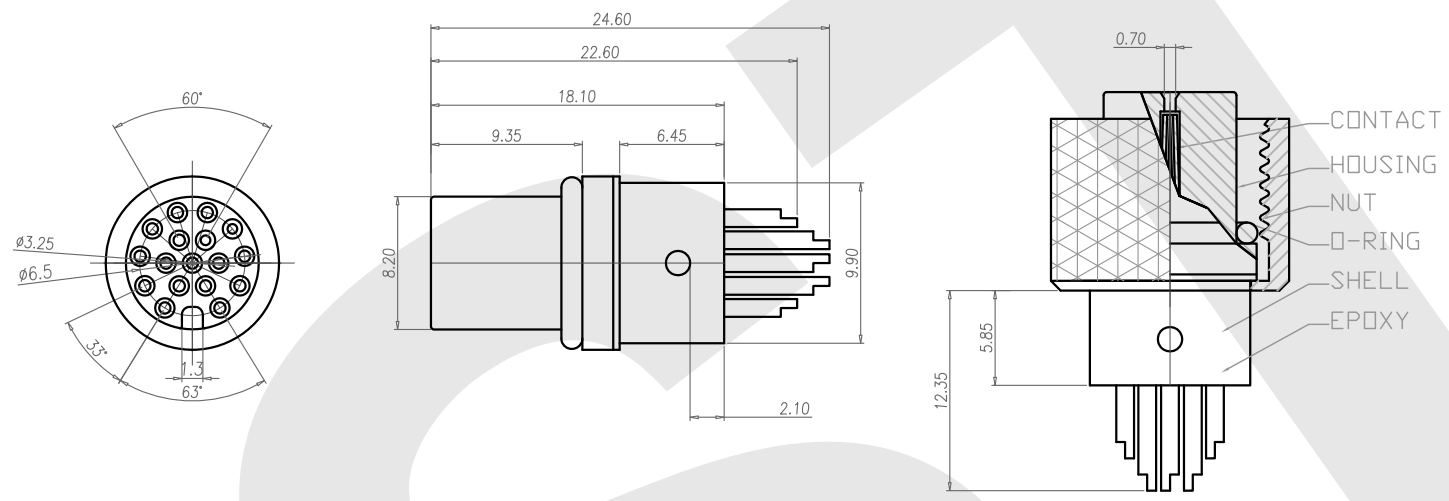


Rev	Revisions	Rev.Drawn	Date
A		Du	22.02.2011



1. MATERIAL :
 - 1-1. HOUSING : PBT UL94V-0 ; COLOR : BLACK
 - 1-2. CONTACT : BRASS
 - 1-3. NUT : BRASS
 - 1-4. O-RING : EDPM
 - 1-5. SHELL : BRASS
 - 1-6. EPOXY Base :EF400A&EF400B.COLOR:BLACK
2. FINISH :
 - 2-1. CONTACT : 10 MICRO INCHES MIN. GOLD PLATED
UNDER PLATE : NICKEL
 - 2-2. NUT : NICKEL PLATED
 - 2-2. SHELL : BRIGHT TIN
3. ELECTRICAL SPECIFICATION :
 - 3-1. Rated current : 1A
 - 3-2. Rated Voltage : 30V
 - 3-3. Water proof: IPX7
4. Environmental :
 - 4-1. Operation Temperature : -40℃~85℃

SST SOUTH SEA TERMINAL CO.,LTD

SGS Report No.:	Customer:	Part No.:
		12F17P-W-A-10.6-M-1-G10-B-N-2
Title: M12 FEMALE SOLDER TYPE for CABLE (GROUND)		
Drawn By: Storm.Li	SCALE: 1:1	SHEET: 1/1
Checked By: du	REV: A	DWG NO.: SST-110222-03
Approved By: Tony	Thire angle Projection	Units: mm
General Dimesion Tolerance		TOLERANCE
		.x ±0.20
		.xx ±0.10
		.xxx ±0.05
		.xxxx ±0.03
		ANGULA ±1°