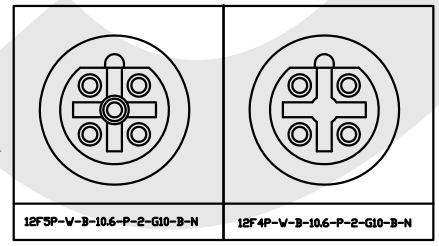
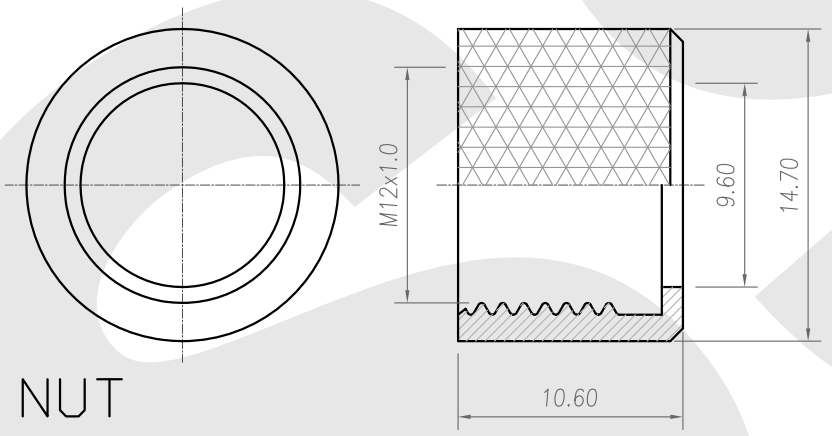
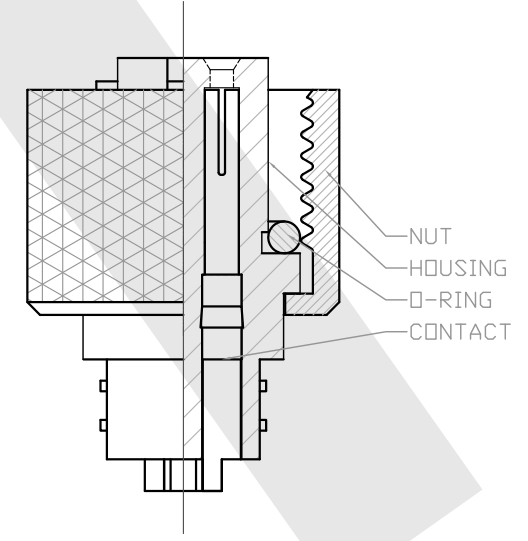
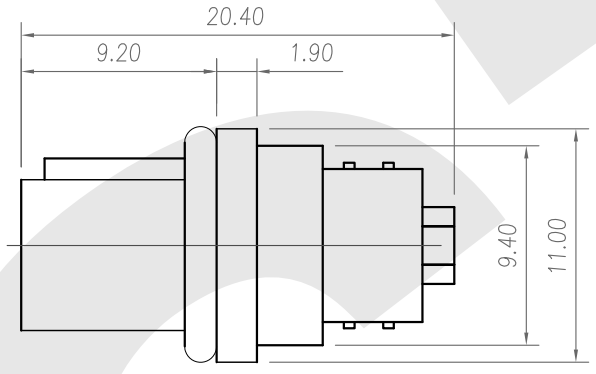
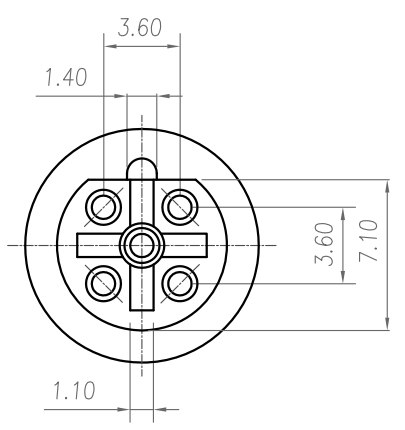


Rev	Revisions	Rev.Drawn	Date
A		Du	09/02/10"



- MATERIAL :**
 - 1-1. HOUSING : PBT UL94V-0 ; COLOR : BLACK
 - 1-2. CONTACT : BRASS
 - 1-3. NUT : BRASS
 - 1-4. O-RING :EPDM; COLOR : BLACK(7.5*1.5)
- FINISH :**
 - 2-1. CONTACT : 10 MICRO INCHES MIN. GOLD PLATED UNDER PLATE : NICKEL
 - 2-2.NUT : NICKEL PLATED 60u" ~ 100u" OVER ALL
- ELECTRICAL SPECIFICATION :**
 - 3-1. Rated current : 5A
 - 3-2. Voltage :125V
 - 3-3. Water proof: IPX7
- Environmental :**
 - 4-1. Operation Temperature : -20℃~85℃

SST SOUTH SEA TERMINAL CO.,LTD

SGS Report No.:	Customer:	Part No.:
	12F5P-W-B-10.6-P-2-G10-B-N	
Title:M12 FEMALE SOLDER TYPE for CABLE (B CODE)		
Drawn By:Storm.Li	SCALE	SHEET
Checked By:du	1:1	1/1
Approved By: Tony	REV.	A
	DWG NO.:	/
	Thire angle Projection	Units
	General Dimesion Tolerance	mm
	TOLERANCE:	
	.x	±0.20
	.xx	±0.10
	.xxx	±0.05
	.xxxx	±0.03
	ANGULA	±1*