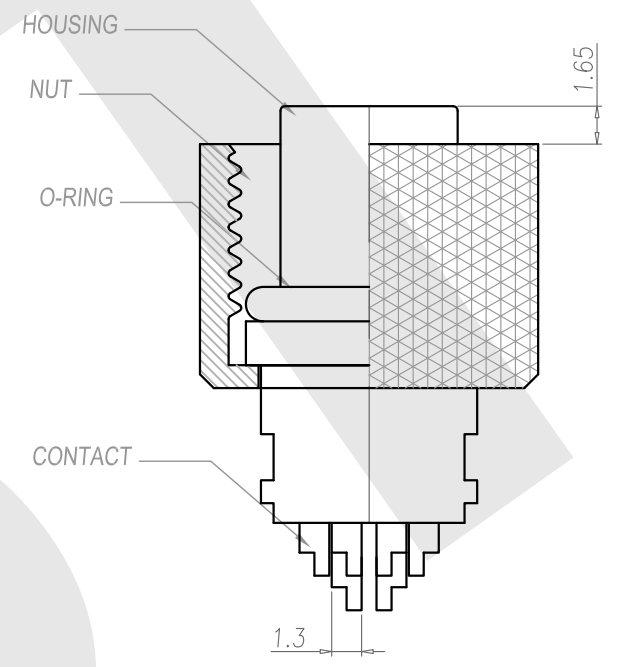
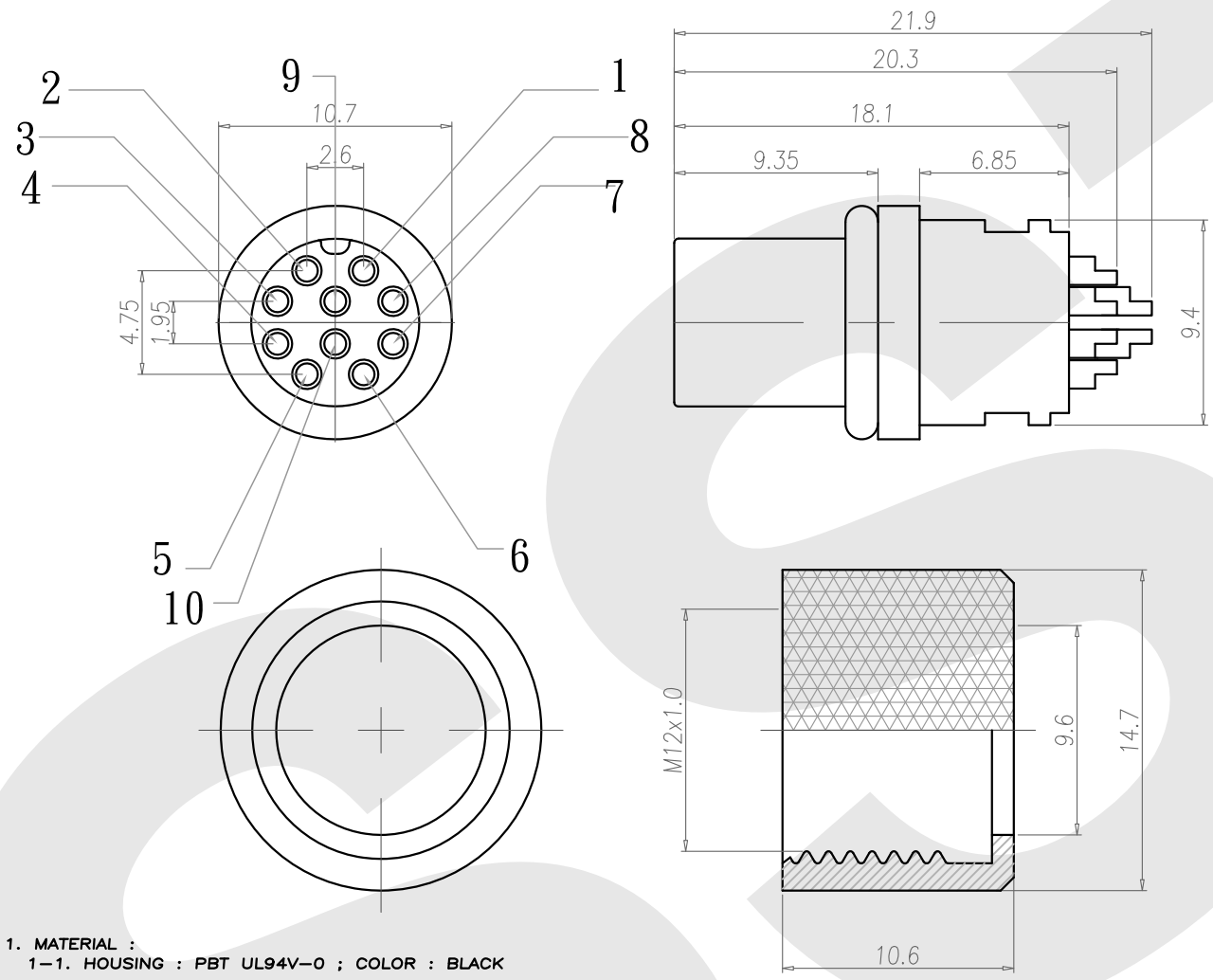


Rev	Revisions	Rev.Drawn	Date
A		Du	25.11.2008



1. MATERIAL :
  - 1-1. HOUSING : PBT UL94V-0 ; COLOR : BLACK
  - 1-2. CONTACT : BRASS
  - 1-3. NUT : BRASS
  - 1-4. O-RING : EPDM ; COLOR : BLACK
2. FINISH :
  - 2-1. CONTACT : 10 MICRO INCHES MIN. GOLD PLATED  
UNDER PLATE : NICKEL
  - 2-2. NUT : NICKEL PLATED
3. ELECTRICAL SPECIFICATION :
  - 3-1. Rated current : 5A
  - 3-2. Rated Voltage :125V
  - 3-3. Water proof: IPX7
4. Environmental :
  - 4-1. Operation Temperature : -40℃~85℃

**NUT**

SGS Report No.:		Customer:		Part No.:	
				12F10P-W-A-10.6-P-2-G10-B-N-4	
Title: <b>M12 FEMALE SOLDER TYPE for CABLE</b>					
Drawn By: Storm.Li	SCALE	SHEET	REV.	DWG NO.:	TOLERANCE:
Checked By: du	1:1	1/1	A	SST-081125-01	X. ±2MM .X ±0.25MM .XX ±0.1MM .XXX±0.1MM
Approved By: Tony	Thire angle Projection General Dimesion Tolerance			Units mm	