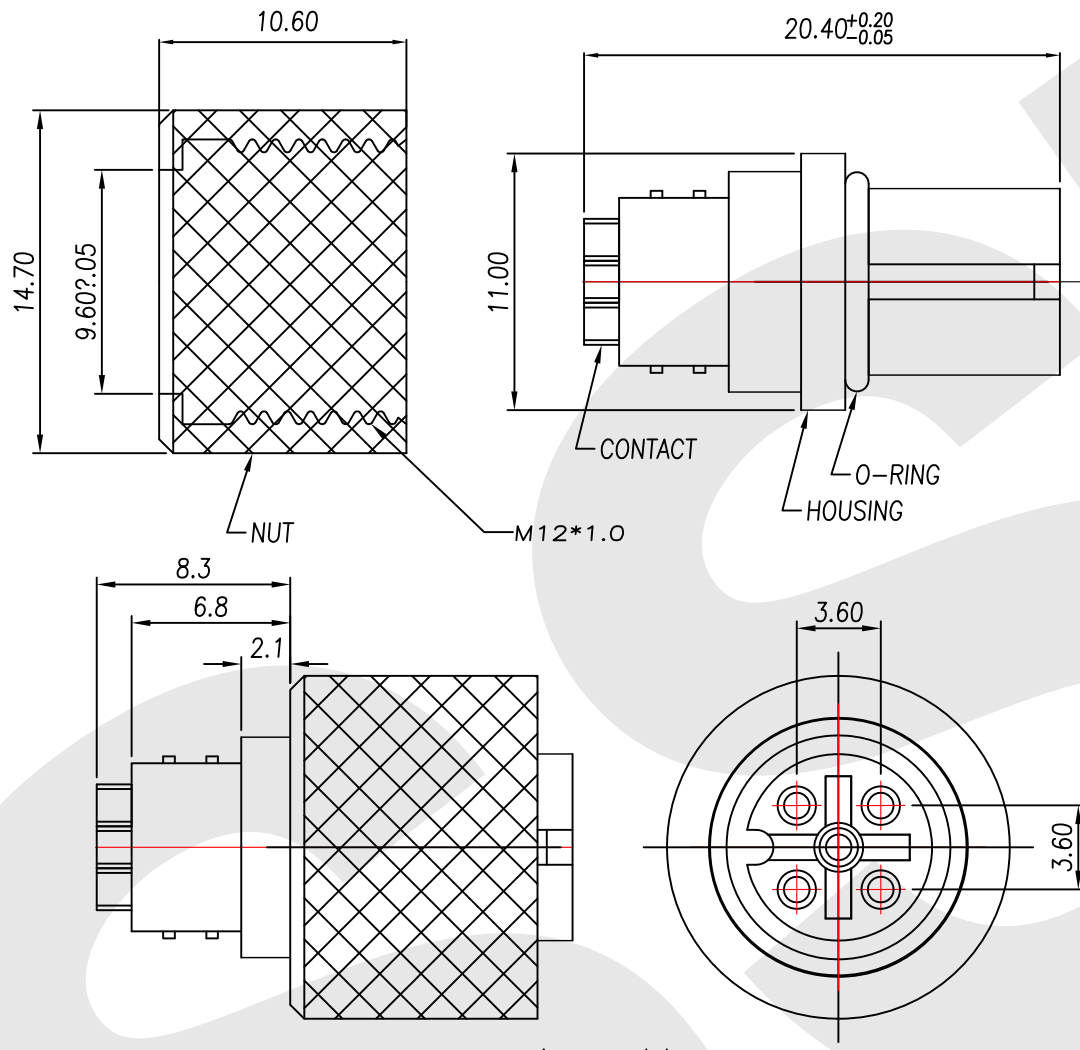


Rev	Revisions	Rev.Drawn	Date
A		Du	25.11.2008



1. MATERIAL :
  - 1-1. HOUSING : PBT UL94V-0 ; COLOR : BLACK
  - 1-2. CONTACT : BRASS
  - 1-3. NUT : BRASS
  - 1-4. O-RING :EPDM; COLOR : BLACK
2. FINISH :
  - 2-1. CONTACT : 10 MICRO INCHES MIN. GOLD PLATED  
UNDER PLATE : NICKEL
  - 2-2. NUT : NICKEL PLATED 60u" ~ 100u" OVER ALL
3. ELECTRICAL SPECIFICATION :
  - 3-1. Rated current : 5A
  - 3-2. Voltage :125V
  - 3-3. Water proof: IPX7
4. Environmental :
  - 4-1. Operation Temperature : -20℃~85℃

Assembly

**SST** SOUTH SEA TERMINAL CO.,LTD

SGS Report No.:	Customer:	Part No.:
		12F5P-W-A-10.6-P-2-G10-B-N-1
Title: M12 FEMALE SOLDER TYPE for CABLE		
Drawn By: Storm.Li	SCALE: 1:1	SHEET: 1/1
Checked By: du	REV: A	DWG NO.: SST-081125-01
Approved By: Tony	TOLERANCE: X. ±2MM .X ±0.25MM .XX ±0.1MM .XXX±0.1MM	
Third angle Projection		Units: mm
General Dimension Tolerance		