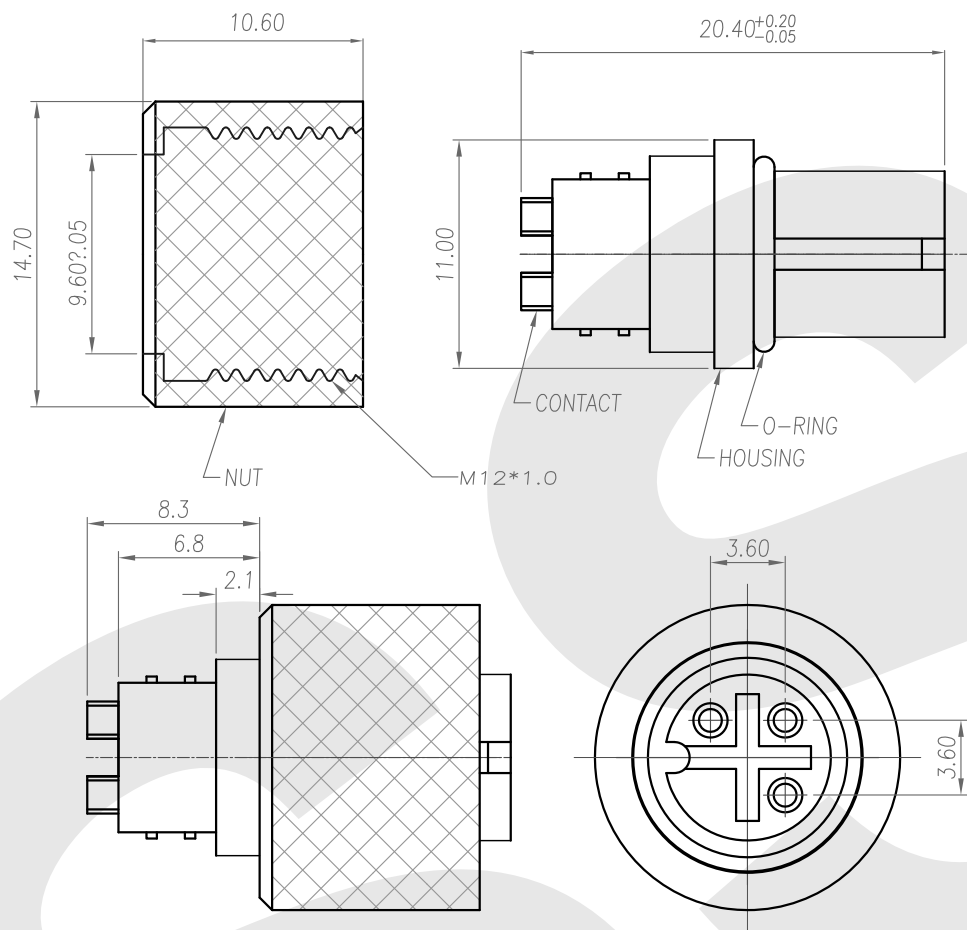


| Rev | Revisions | Rev.Drawn | Date    |
|-----|-----------|-----------|---------|
| A   |           | Du        | 06/2010 |



1. MATERIAL :
  - 1-1. HOUSING : PBT UL94V-0 ; COLOR : BLACK
  - 1-2. CONTACT : BRASS
  - 1-3. NUT : BRASS
  - 1-4. O-RING : EPDM; COLOR : BLACK
2. FINISH :
  - 2-1. CONTACT : 10 MICRO INCHES MIN. GOLD PLATED
  - 2-2. NUT : NICKEL PLATED 60u" ~ 100u" OVER ALL
3. ELECTRICAL SPECIFICATION :
  - 3-1. Rated current : 5A
  - 3-2. Voltage : 125V
  - 3-3. Water proof: IPX7
4. Environmental :
  - 4-1. Operation Temperature : -20℃~85℃

Assembly

**SST** SOUTH SEA TERMINAL CO.,LTD

|   |                             |                              |
|---|-----------------------------|------------------------------|
| SGS Report No.:                         | Customer:                   | Part No.:                    |
|   |                             | 12F3P-W-A-10.6-P-2-G10-B-N-1 |
| Title: M12 FEMALE SOLDER TYPE for CABLE |                             |                              |
| Drawn By: Storm.Li                      | SCALE                       | SHEET                        |
| Checked By: du                          | 1:1                         | 1/1                          |
| Approved By: Tony                       | REV.                        | A                            |
|   | DWG NO.:                    | SST-100615-01                |
|   | Third angle Projection      | TOLERANCE:                   |
|   | General Dimension Tolerance | X. ±2MM                      |
|   |                             | .X ±0.25MM                   |
|   |                             | .XX ±0.1MM                   |
|   |                             | .XXX±0.1MM                   |